



FEL Carry Can

Mobile Refuse Cart Lifter

Bayne offers a full line of patented **FEL Carry Cans** to fit all OEM truck models. In addition to the patented Thinline[®] rack and pinion rotary actuator, Bayne also holds a patent on the combination of a cart lifter with an FEL Carry Can, thus allowing the hauler to operate one truck for both residential and commercial routes resulting in a reduction of total fleet cost. The FEL Carry Can has a 3 cubic yard capacity for less dump cycles and cart lifters can be mounted on the curb side and/or front of the carry can. FEL Carry Cans are constructed of 12 gauge steel for durability.

- Compatible with both semi-automated and fully automated roll-out carts
- Designed to provide close access to containers on the curb
- Quick disconnect fittings allow for easy removal of the carry can when changing from residential to commercial routes
- Places cart to the center of the carry can when dumping to prevent spillage
- Powder-coated finish for durability
- 2-Year Limited Warranty



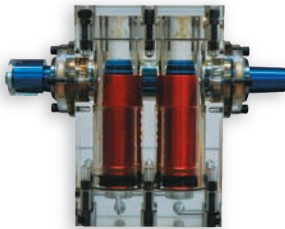
Premium Lift Systems

Precision, Quality and...Patented Engineering!

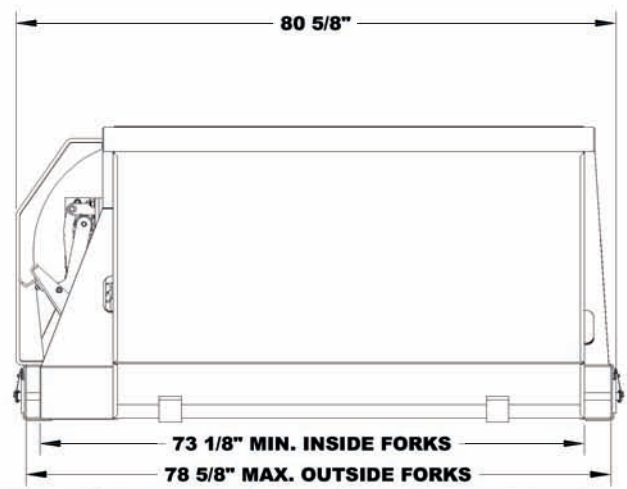
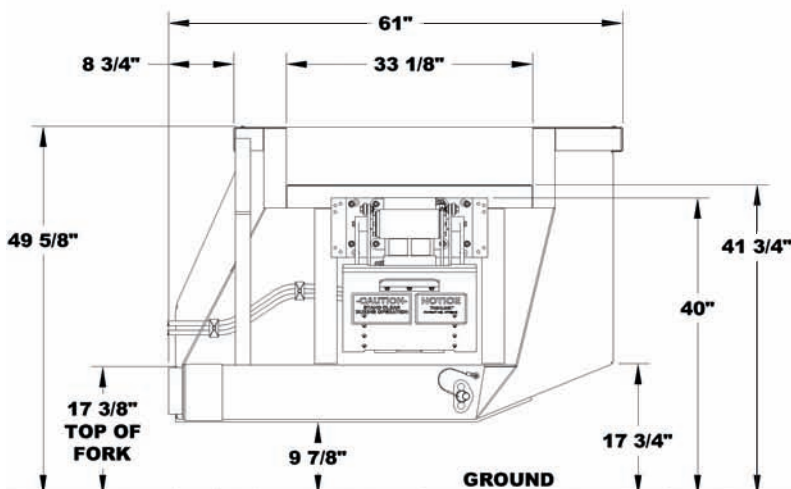
FEL Carry Can

Specifications and Dimensions

| | |
|-----------------------------|---|
| Cart Compatibility: | ANSI Z245.60-2008 Type B Carts (domestic style 2-bar) ANSI Z245.60-2008 Type C Carts (European style) ANSI Z245.60-2008 Type D Carts (pocketed style) ANSI Z245.60-2008 Type G Carts (automated style) Standard size 30 and 55 gallon drums |
| Lift Capacity: | 400 lbs @ 1800 psi |
| Hydraulic Pressures: | 3000 psi Maximum (BTL/MBTL/TL) 2500 psi Maximum (VBTL/GTL) |
| Hydraulic Flow: | 2.0 – 2.5 gpm |
| Cycle Time: | 6 – 8 seconds (BTL/MBTL/TL); 8 – 10 seconds (VBTL); 10 – 12 seconds (GTL) |
| Bearings: | Self-Lubricating Composite Material |
| Actuator: | Patented Thinline® Rack and Pinion Rotary Actuator |
| Finish: | Safety Yellow Powder Coating |
| Options: | • Hydraulic Tap-In Kit |



Patented Thinline®
Rack and Pinion
Rotary Actuator



Bayne Premium Lift Systems

910 Fork Shoals Road, Greenville, SC 29605 • www.baynethinline.com
Toll Free: 800.535.2671 • Local: 864.288.3877 • Fax: 864.458.7519

© 2010, Bayne Premium Lift Systems
Printed in U.S.A. Form #BLS-09-003-041610