

# GTL Series



## Mobile Refuse Cart Lifter

The Grabber products are the most versatile series of lifters from **Bayne Premium Lift Systems**. These products were specifically designed for the hauler who must pick up a variety of different residential roll-out carts on the same route. The **GTL series** is the original grabber unit designed by Bayne and is used primarily on side load and front load applications.

- Powered by the patented Thinline® rack and pinion rotary actuator for smooth operation
- Compatible with both semi-automated and fully automated roll-out carts
- Excellent backup for fully automated collection vehicles
- Dumps cart higher and deeper inside the hopper opening to prevent spillage and increase route stops before cycling packer blade
- Self-lubricating composite bearings at main pivot points
- Powder-coated finish for durability
- 2-Year Limited Warranty



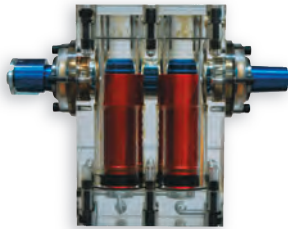
Premium Lift Systems

Precision, Quality and...Patented Engineering!

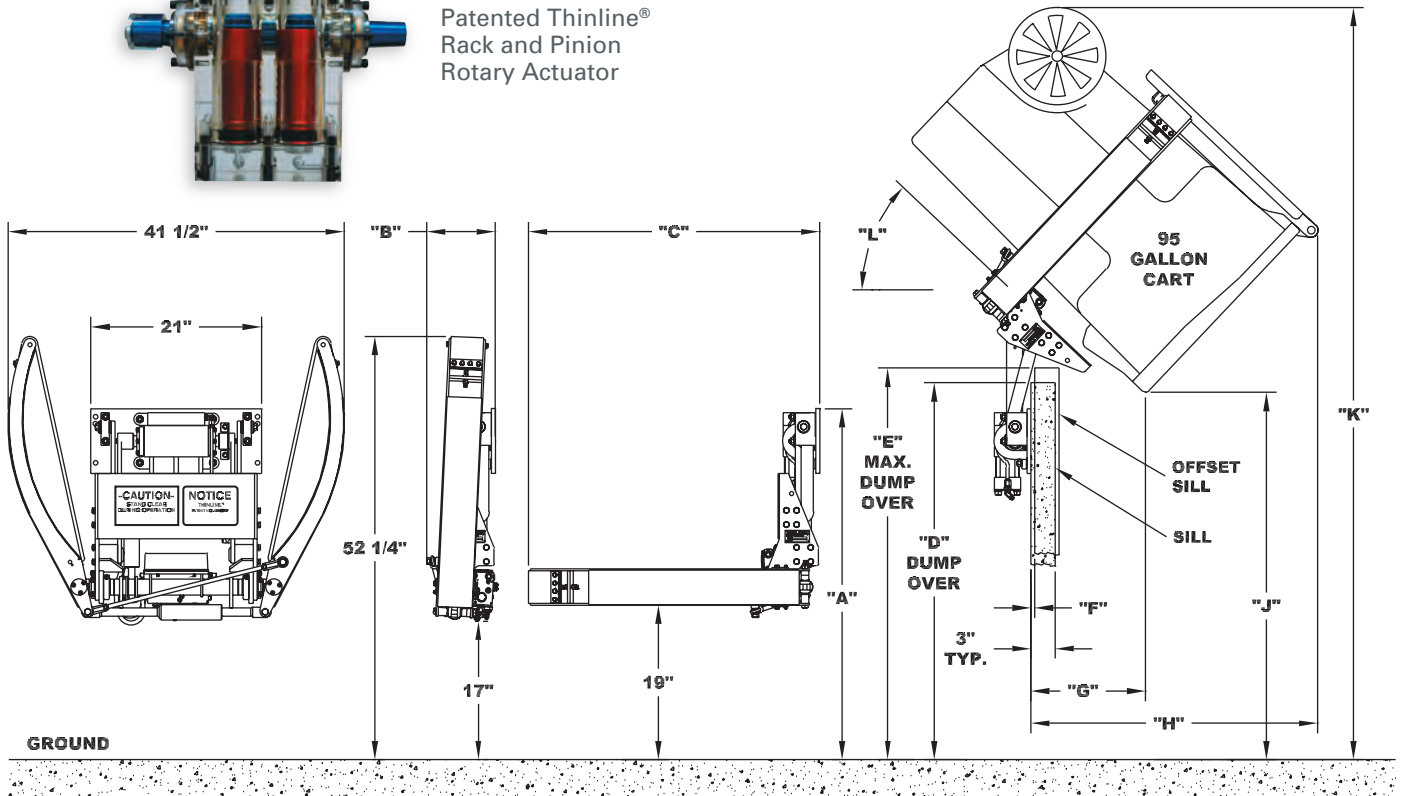
# GTL Series

## Specifications and Dimensions

<b>Cart Compatibility:</b>	ANSI Z245.60-2006 Type B Carts (domestic style 2-bar) ANSI Z245.60-2006 Type C Carts (European style) ANSI Z245.60-2006 Type D Carts (pocketed style) ANSI Z245.60-2006 Type G Carts (automated style) Standard size 30 and 55 gallon drums
<b>Lift Capacity:</b>	400 lbs @ 1800 psi
<b>Hydraulic Pressures:</b>	Working Pressure – 1800 psi Maximum Pressure – 2500 psi
<b>Hydraulic Flow:</b>	2.0 – 2.5 gpm
<b>Cycle Time:</b>	10 – 12 seconds
<b>Bearings:</b>	Self-Lubricating Composite Material
<b>Actuator:</b>	Patented Thinline® Rack and Pinion Rotary Actuator
<b>Finish:</b>	Safety Yellow Powder Coating
<b>Options:</b>	<ul style="list-style-type: none"> <li>• Tap-In-Kit</li> <li>• Mounting Plate Kit for Bolt-On Application</li> </ul>



Patented Thinline®  
Rack and Pinion  
Rotary Actuator



MODEL NUMBER	"A" DIM.	"B" DIM.	"C" DIM.	"D" DIM.	"E" DIM.	"F" DIM.	"G" DIM.	"H" DIM.	"J" DIM.	"K" DIM.	"L" DIM.
GTL 1110	39 1/4"	8 1/2"	35 7/8"	40"	40 1/4"	1/8"	14 1/4"	35 1/4"	37 3/8"	84 3/4"	43°
GTL 1114	43 1/4"	8 1/2"	35 7/8"	45 3/4"	48"	5/8"	14 1/8"	35 3/8"	45 1/4"	92 3/4"	43°
GTL 1120	49 1/4"	8 1/2"	35 7/8"	54 3/8"	59 5/8"	7/8"	13 7/8"	35 7/8"	56 5/8"	104 1/2"	46°

## Bayne Premium Lift Systems

910 Fork Shoals Road, Greenville, SC 29605 • [www.baynethinline.com](http://www.baynethinline.com)  
Toll Free: 800.535.2671 • Local: 864.288.3877 • Fax: 864.458.7519

© 2008, Bayne Premium Lift Systems  
Printed in U.S.A. Form #BLS-08-002-043008