

TL Series



Mobile Refuse Cart Lifter

The **TL series** is one of the best selling lines of lifters from **Bayne Premium Lift Systems**. This lifter was specifically designed to operate with the fewest moving parts possible, making it the most reliable lifter on the market. TL lifters may be combined with a vertical assembly to make a VTL lifter. VTL models add either 9", 15", 24" or 34" of vertical travel and 3 1/2" of thickness to the TL lifter.

- Powered by the patented Thinline® rack and pinion rotary actuator for smooth operation
- Compatible with standard domestic style 2-bar roll-out carts
- Thinline design works in conjunction with most commercial container latch kits
- Fewer moving parts for superior reliability
- Dumps cart higher and deeper inside the hopper opening to prevent spillage and increase route stops before cycling packer blade
- Self-lubricating composite bearings at main pivot points
- Powder-coated finish for durability
- 2-Year Limited Warranty



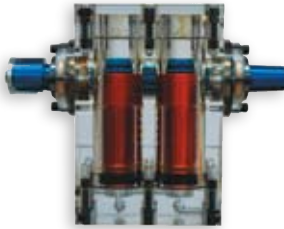
Premium Lift Systems

Precision, Quality and...Patented Engineering!

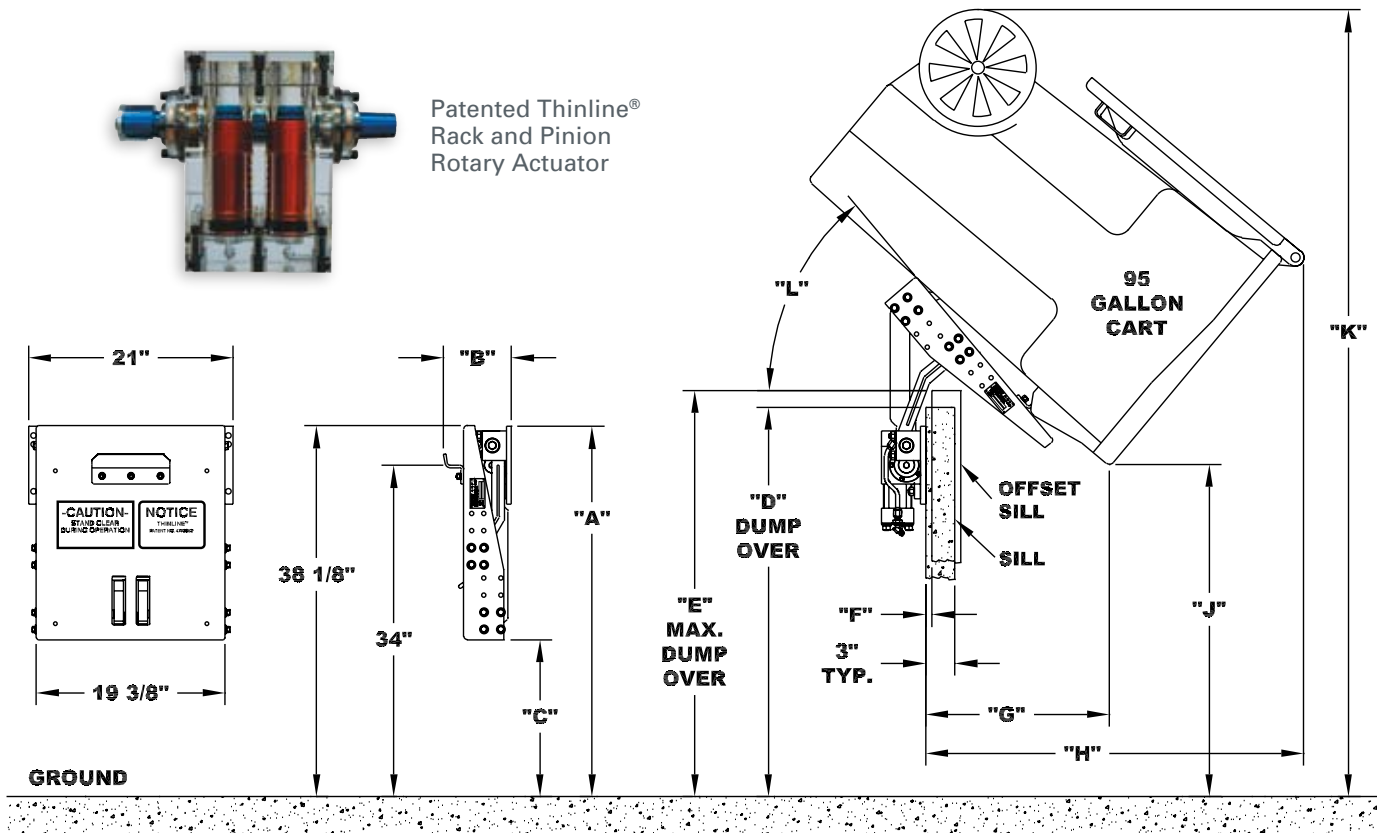
TL Series

Specifications and Dimensions

Cart Compatibility:	ANSI Z 245.60-1996 Type B Carts (domestic style 2-bar)
Lift Capacity:	400 lbs @ 1800 psi (with 1100 Actuator) 700 lbs @ 1800 psi (with 2200 Actuator)
Hydraulic Pressures:	Working Pressure – 1800 psi Maximum Pressure – 2500 psi
Hydraulic Flow:	2.0 – 2.5 gpm
Cycle Time:	6 – 8 seconds (lifter only) 8 – 10 seconds (with 9" vertical) 10 – 12 seconds (with 15" vertical) 15 – 25 seconds (with 24" or 34" vertical)
Bearings:	Self-Lubricating Composite Material
Actuator:	Patented Thinline® Rack and Pinion Rotary Actuator
Finish:	Safety Yellow Powder Coating
Options:	<ul style="list-style-type: none"> • Tap-In-Kit • Mounting Plate Kit for Bolt-On Application • Commercial Container Bumper Kit



Patented Thinline®
Rack and Pinion
Rotary Actuator



MODEL NUMBER	"A" DIM.	"B" DIM.	"C" DIM.	"D" DIM.	"E" DIM.	"F" DIM.	"G" DIM.	"H" DIM.	"J" DIM.	"K" DIM.	"L" DIM.
TL 1116	38"	7"	16 1/8"	40"	41 3/4"	5/8"	16 7/8"	38 3/4"	34 1/8"	80 3/4"	50°
TL 1120	42"	7"	16 1/8"	45 3/8"	49 3/4"	1 1/4"	19 5/8"	38 1/2"	43 1/4"	89 1/8"	47°
TL 1124	46"	7"	16 1/8"	50 1/8"	57 5/8"	1 5/8"	20"	38 1/4"	51 7/8"	97 3/8"	45°

Bayne Premium Lift Systems

208 Fairforest Way, Greenville, SC 29607 • www.baynethinline.com
Toll Free: 800.535.2671 • Local: 864.288.3877 • Fax: 864.458.7519

© 2005, Bayne Premium Lift Systems
Printed in U.S.A. Form #BLS-04-001-041505