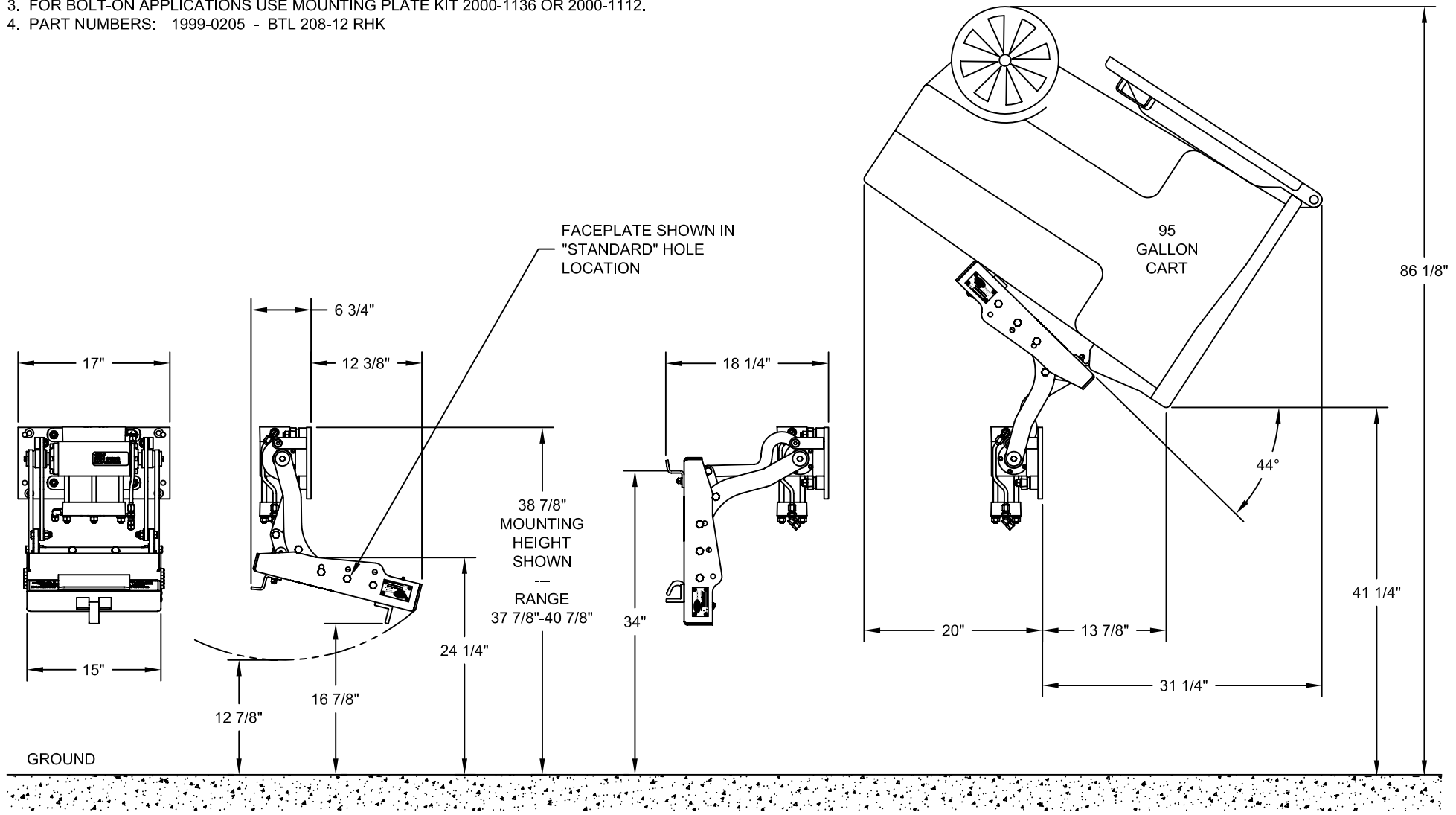


NOTE:

1. DIMENSIONS ACCOMMODATE ANSI Z245.60-2008 TYPE B CONTAINERS (DOMESTIC 2-BAR CARTS), BUT MAY VARY DUE TO CONTAINER SPECIFICATIONS OR APPLICATIONS.
2. ALL DIMENSIONS ARE APPROXIMATE.
3. FOR BOLT-ON APPLICATIONS USE MOUNTING PLATE KIT 2000-1136 OR 2000-1112.
4. PART NUMBERS: 1999-0205 - BTL 208-12 RHK



CONFIDENTIAL

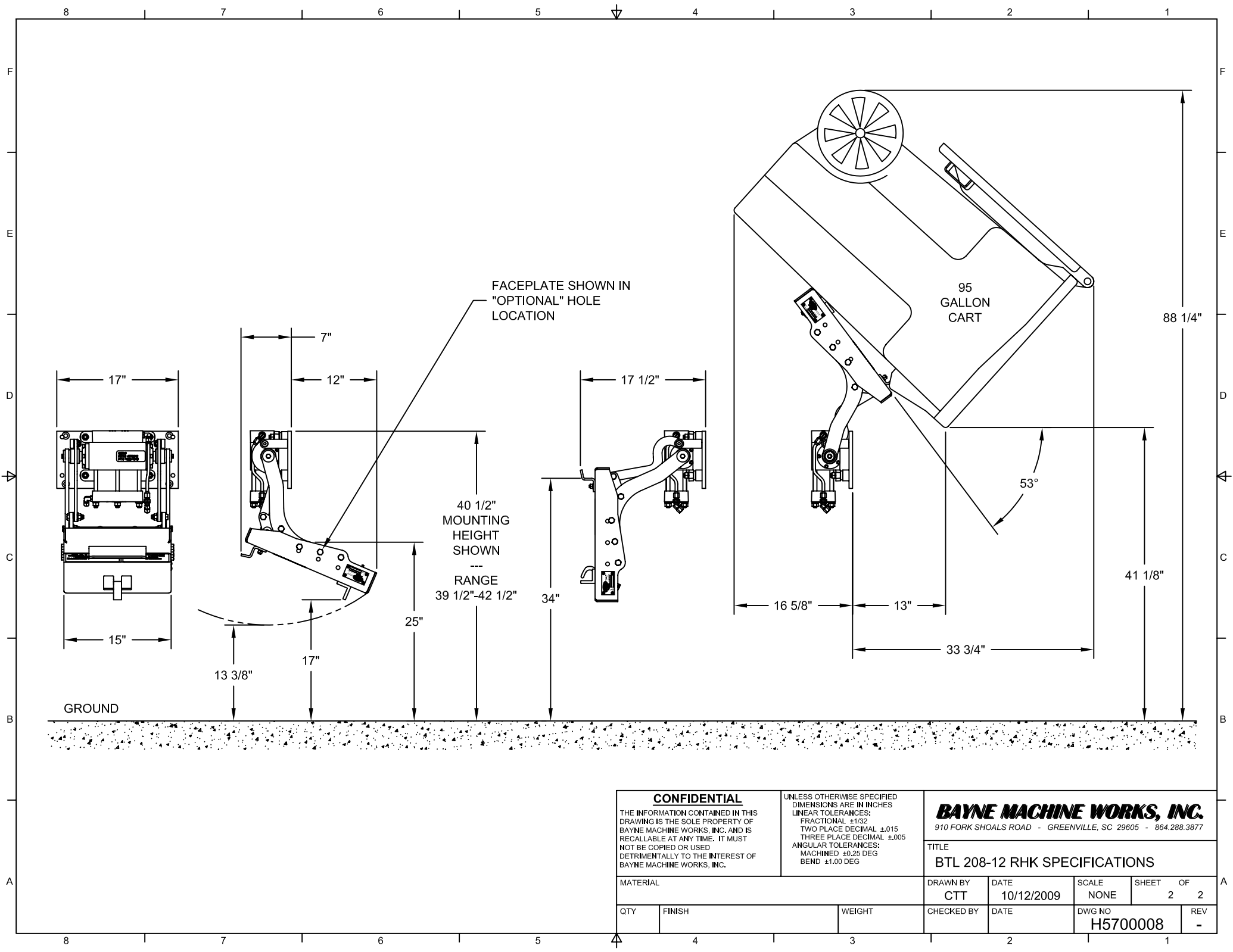
THE INFORMATION CONTAINED IN THIS DRAWING IS THE SOLE PROPERTY OF BAYNE MACHINE WORKS, INC. AND IS RECALLABLE AT ANY TIME. IT MUST NOT BE COPIED OR USED DETRIMENTALLY TO THE INTEREST OF BAYNE MACHINE WORKS, INC.

UNLESS OTHERWISE SPECIFIED DIMENSIONS ARE IN INCHES
 LINEAR TOLERANCES:
 FRACTIONAL ±1/32
 TWO PLACE DECIMAL ±.015
 THREE PLACE DECIMAL ±.005
 ANGULAR TOLERANCES:
 MACHINED ±0.25 DEG
 BEND ±1.00 DEG

BAYNE MACHINE WORKS, INC.
 910 FORK SHOALS ROAD - GREENVILLE, SC 29605 - 864.288.3877

TITLE
BTL 208-12 RHK SPECIFICATIONS

MATERIAL		DRAWN BY CTT	DATE 10/12/2009	SCALE NONE	SHEET 1	OF 2
QTY	FINISH	WEIGHT	CHECKED BY	DATE	DWG NO H5700008	REV -



FACEPLATE SHOWN IN "OPTIONAL" HOLE LOCATION

95 GALLON CART

40 1/2" MOUNTING HEIGHT SHOWN

RANGE 39 1/2"-42 1/2"

GROUND

<p>CONFIDENTIAL</p> <p>THE INFORMATION CONTAINED IN THIS DRAWING IS THE SOLE PROPERTY OF BAYNE MACHINE WORKS, INC. AND IS RECALLABLE AT ANY TIME. IT MUST NOT BE COPIED OR USED DETRIMENTALLY TO THE INTEREST OF BAYNE MACHINE WORKS, INC.</p>		<p>UNLESS OTHERWISE SPECIFIED DIMENSIONS ARE IN INCHES</p> <p>LINEAR TOLERANCES: FRACTIONAL ±1/32 TWO PLACE DECIMAL ±.015 THREE PLACE DECIMAL ±.005</p> <p>ANGULAR TOLERANCES: MACHINED ±0.25 DEG BEND ±1.00 DEG</p>		<p>BAYNE MACHINE WORKS, INC. 910 FORK SHOALS ROAD - GREENVILLE, SC 29605 - 864.288.3877</p>			
				<p>TITLE BTL 208-12 RHK SPECIFICATIONS</p>			
MATERIAL		DRAWN BY CTT	DATE 10/12/2009	SCALE NONE	SHEET 2	OF 2	
QTY	FINISH	WEIGHT	CHECKED BY	DATE	DWG NO H5700008	REV -	