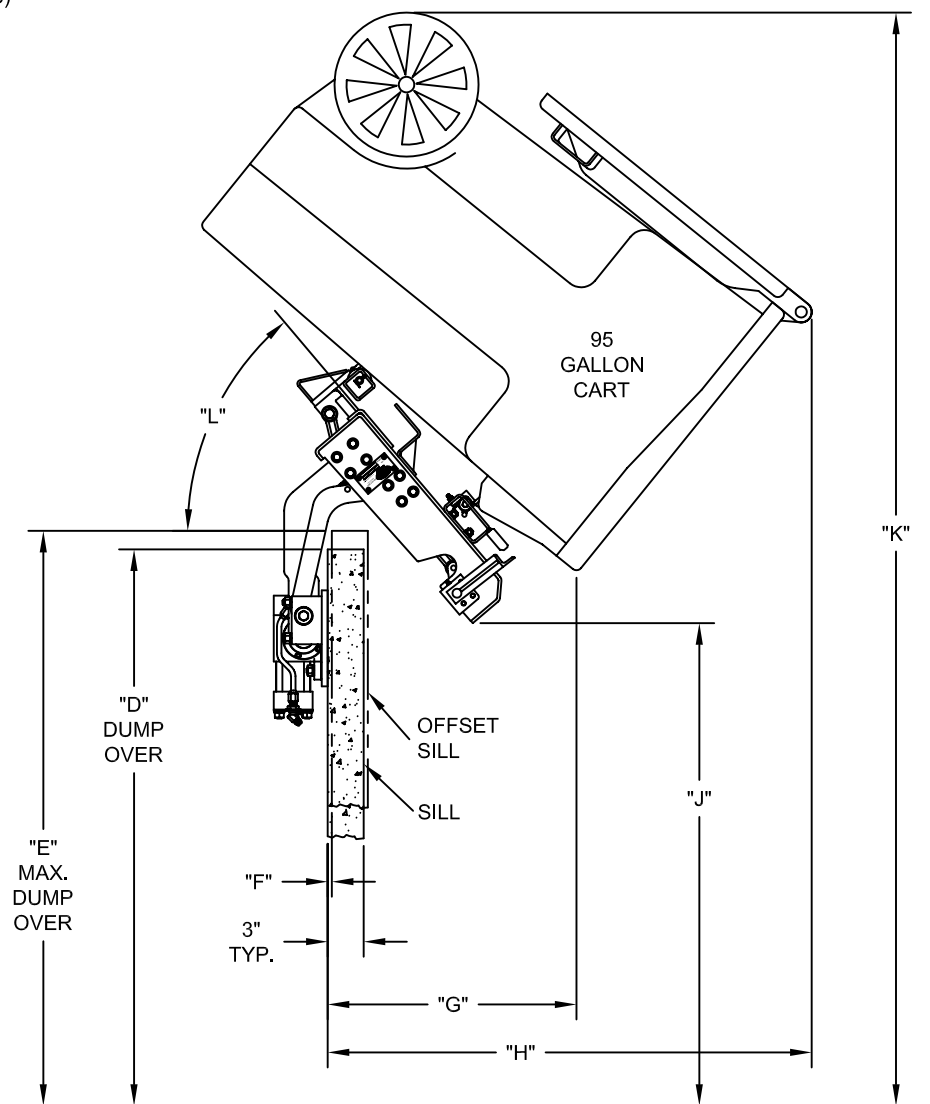
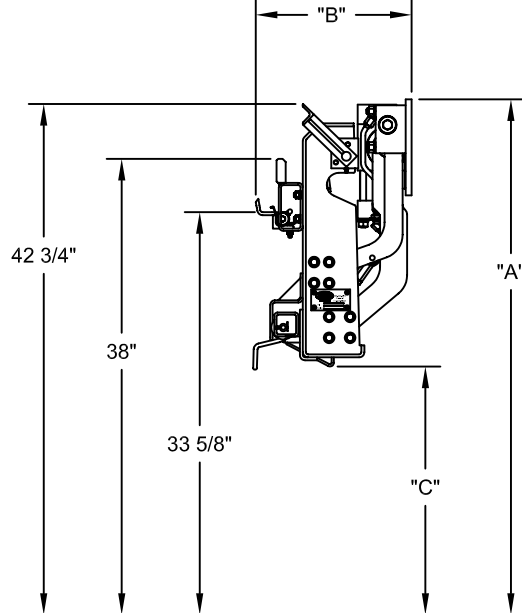
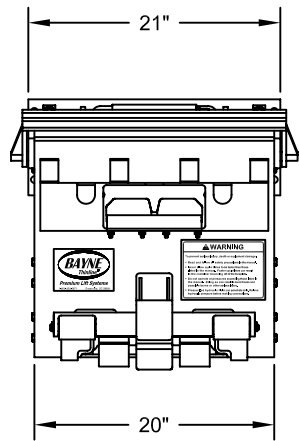


NOTE:

1. DIMENSIONS ACCOMMODATE ANSI Z245.60-2008 TYPE B CONTAINERS (DOMESTIC 2-BAR CARTS) AND MOST TYPE C CONTAINERS (EUROPEAN COMB-LIFT CARTS), BUT MAY VARY DUE TO CONTAINER SPECIFICATIONS OR APPLICATIONS.
2. ALL DIMENSIONS ARE APPROXIMATE.
3. CTL UNITS WITH 15" OR LONGER ARMS REQUIRE A 4" MINIMUM OFFSET.
4. UNITS MARKED WITH ** HAVE A SLOW DOWN ACTUATOR.
5. FOR BOLT-ON APPLICATIONS USE MOUNTING PLATE KIT 2000-1112.
6. PART NUMBERS: SEE CHART



CONFIDENTIAL
 THE INFORMATION CONTAINED IN THIS DRAWING IS THE SOLE PROPERTY OF BAYNE MACHINE WORKS, INC. AND IS RECALLABLE AT ANY TIME. IT MUST NOT BE COPIED OR USED DETRIMENTALLY TO THE INTEREST OF BAYNE MACHINE WORKS, INC.

UNLESS OTHERWISE SPECIFIED DIMENSIONS ARE IN INCHES
 LINEAR TOLERANCES:
 FRACTIONAL ±1/32
 TWO PLACE DECIMAL ±.015
 THREE PLACE DECIMAL ±.005
 ANGULAR TOLERANCES:
 MACHINED ±0.25 DEG
 BEND ±1.00 DEG

BAYNE MACHINE WORKS, INC.
 910 FORK SHOALS ROAD - GREENVILLE, SC 29605 - 864.288.3877

TITLE
CTL SERIES SPECIFICATIONS

MATERIAL		DRAWN BY CTT	DATE 10/14/2009	SCALE NONE	SHEET 1	OF 2
QTY	FINISH	WEIGHT	CHECKED BY	DATE	DWG NO H0200009	REV -

MODEL NUMBER	PART #	"A" DIM.	"B" DIM.	"C" DIM.	"D" DIM.	"E" DIM.	"F" DIM.	"G" DIM.	"H" DIM.	"J" DIM.	"K" DIM.	"L" DIM.
CTL 1110	1900-0071	38"	9"	20 3/4"	36 3/8"	N/A	N/A	17 5/8"	34 5/8"	31 1/2"	81 3/8"	43°
CTL 1115-2524	1900-0073	43"	13"	20 3/8"	46 3/8"	47 7/8"	3/8"	20 3/4"	40 3/8"	40 1/4"	91 1/8"	50°
CTL 2215-2524 **	1900-0227											
CTL 1120-2524	1900-0093	48"	13"	20 3/8"	53 3/8"	57 1/2"	5/8"	21 3/8"	39 1/8"	51 1/8"	101 3/8"	45°
CTL 2220-2524 **	1900-0094											
CTL 1124-2524	1900-0246	52"	13"	20 1/4"	59"	65 1/8"	7/8"	21 3/4"	38 3/8"	59 5/8"	109 1/2"	42°
CTL 2224-2524 **	1900-0095											
CTL 2228-2524 **	1900-0096	56"	13"	20 1/4"	64 5/8"	72 3/4"	7/8"	21 7/8"	37 7/8"	68"	117 1/2"	41°
CTL 2232-2524 **	1900-0122	60"	13"	20 1/4"	70 1/4"	80 1/4"	1"	22"	37 1/2"	76 3/8"	125 3/8"	39°
CTL 2234-2524 **	1900-0114	62"	13"	20 1/4"	73 1/8"	84"	1"	22 1/8"	37 1/4"	80 3/8"	129 3/8"	39°

CONFIDENTIAL		UNLESS OTHERWISE SPECIFIED DIMENSIONS ARE IN INCHES		BAYNE MACHINE WORKS, INC.	
THE INFORMATION CONTAINED IN THIS DRAWING IS THE SOLE PROPERTY OF BAYNE MACHINE WORKS, INC. AND IS RECALLABLE AT ANY TIME. IT MUST NOT BE COPIED OR USED DETRIMENTALLY TO THE INTEREST OF BAYNE MACHINE WORKS, INC.		LINEAR TOLERANCES: FRACTIONAL ±1/32 TWO PLACE DECIMAL ±.015 THREE PLACE DECIMAL ±.005		910 FORK SHOALS ROAD - GREENVILLE, SC 29605 - 864.288.3877	
MATERIAL		DRAWN BY CTT		DATE 10/14/2009	
QTY		FINISH		WEIGHT	
CHECKED BY		DATE		DWG NO H0200009	
SHEET OF 2 2		SCALE NONE		REV -	
TITLE CTL SERIES SPECIFICATIONS					