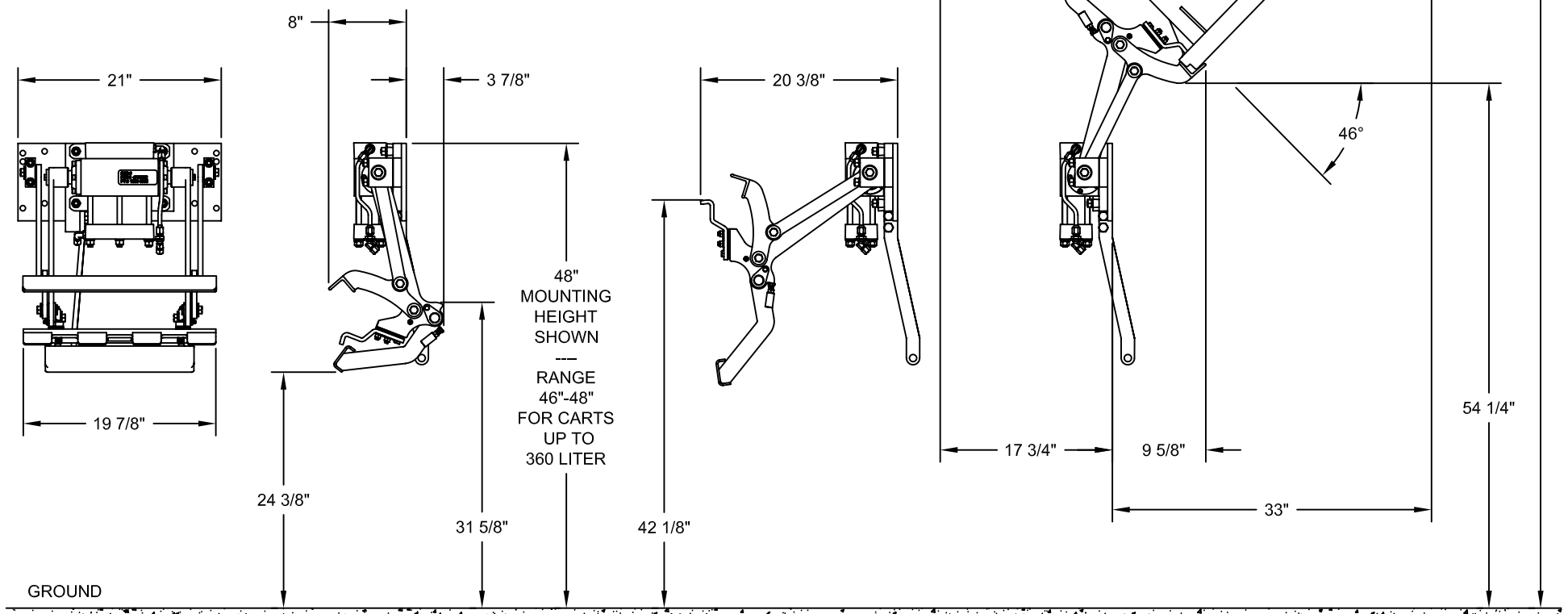


- NOTE:
1. DIMENSIONS ACCOMMODATE MOST ANSI Z245.60-2008 TYPE C CONTAINERS (EUROPEAN COMB-LIFT CARTS), BUT MAY VARY DUE TO CONTAINER SPECIFICATIONS OR APPLICATIONS.
 2. ALL DIMENSIONS ARE APPROXIMATE.
 3. FOR BOLT-ON APPLICATIONS USE MOUNTING PLATE KIT 2000-1112.
 4. PART NUMBERS: 1999-0248 - ETL 208-48"



CONFIDENTIAL

THE INFORMATION CONTAINED IN THIS DRAWING IS THE SOLE PROPERTY OF BAYNE MACHINE WORKS, INC. AND IS RECALLABLE AT ANY TIME. IT MUST NOT BE COPIED OR USED DETRIMENTALLY TO THE INTEREST OF BAYNE MACHINE WORKS, INC.

UNLESS OTHERWISE SPECIFIED DIMENSIONS ARE IN INCHES
 LINEAR TOLERANCES:
 FRACTIONAL ±1/32
 TWO PLACE DECIMAL ±.015
 THREE PLACE DECIMAL ±.005
 ANGULAR TOLERANCES:
 MACHINED ±0.25 DEG
 BEND ±1.00 DEG

BAYNE MACHINE WORKS, INC.
 910 FORK SHOALS ROAD - GREENVILLE, SC 29605 - 864.288.3877

TITLE
ETL 208-48" SPECIFICATIONS

MATERIAL		DRAWN BY CTT	DATE 10/20/2009	SCALE NONE	SHEET 1	OF 1
QTY	FINISH	WEIGHT	CHECKED BY	DATE	DWG NO H0700011	REV -