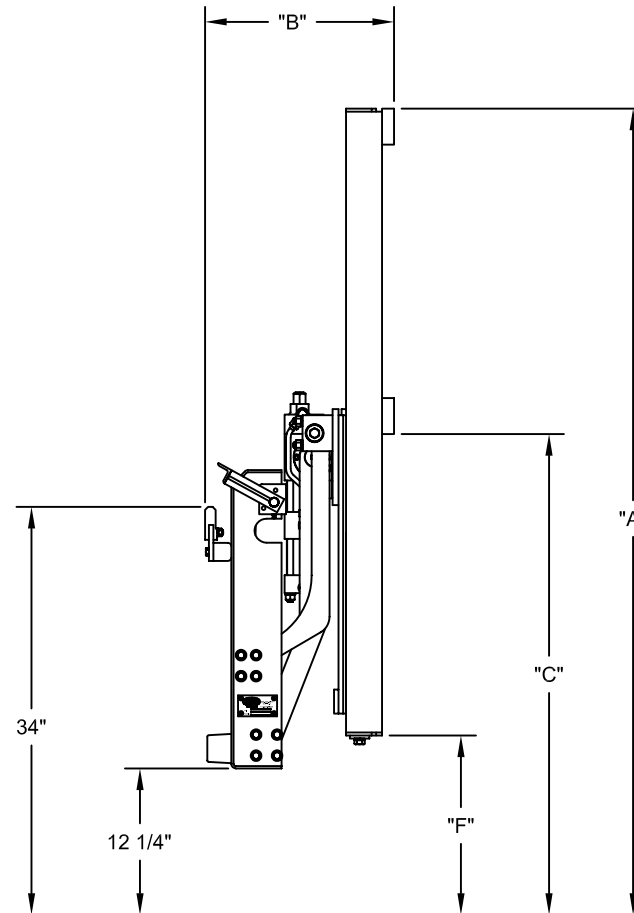
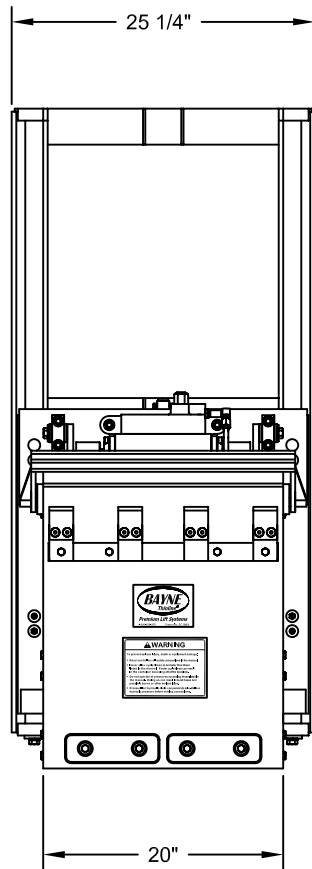


**NOTE:**

1. DIMENSIONS ACCOMMODATE MOST ANSI Z245.60-2008 TYPE C CONTAINERS (EUROPEAN COMB-LIFT CARTS), BUT MAY VARY DUE TO CONTAINER SPECIFICATIONS OR APPLICATIONS.
2. ALL DIMENSIONS ARE APPROXIMATE.
3. EVTL UNITS WITH 20" OR LONGER ARMS REQUIRE A 4" MINIMUM OFFSET.
4. UNITS MARKED WITH \*\* HAVE A SLOW DOWN ACTUATOR.
5. PART NUMBERS: SEE CHART



**CONFIDENTIAL**

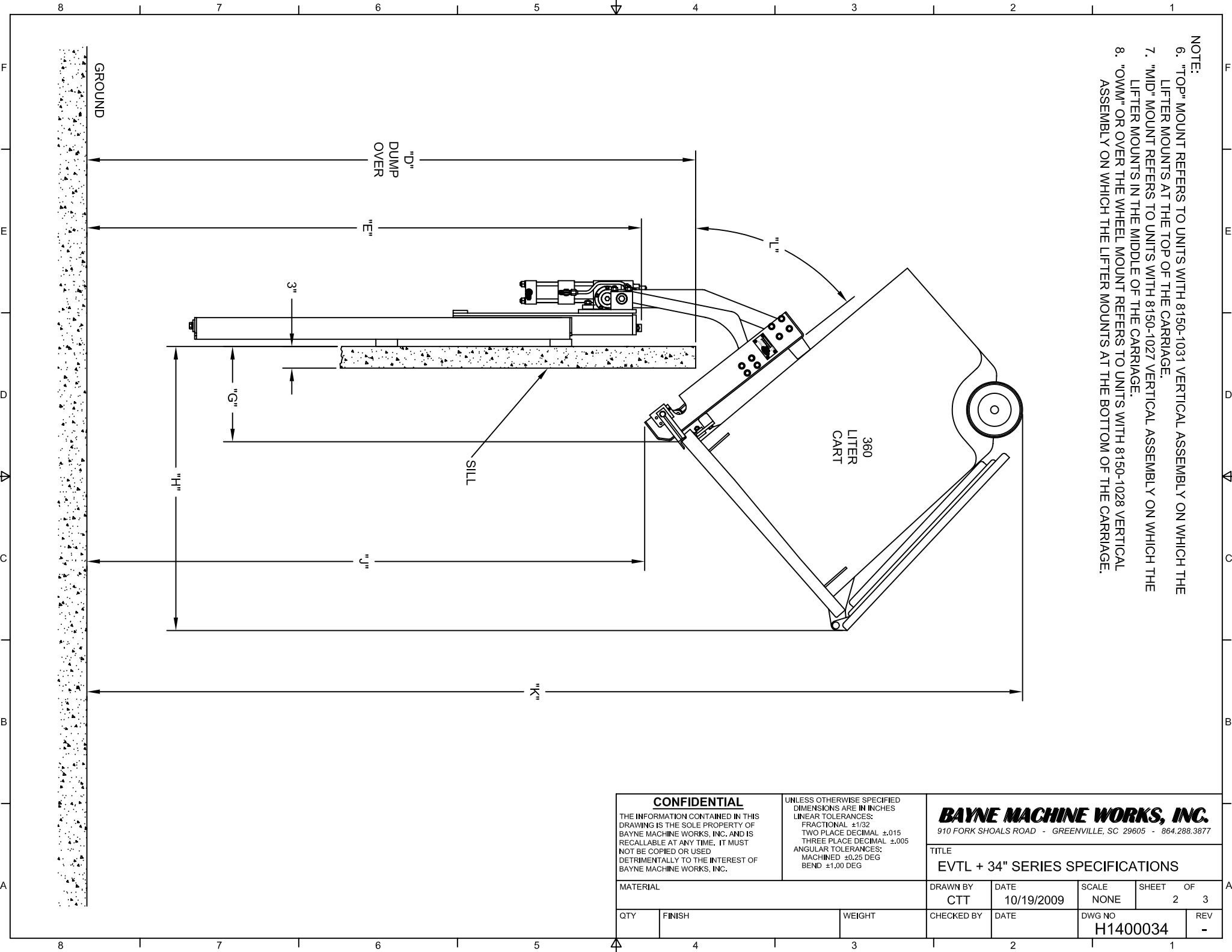
THE INFORMATION CONTAINED IN THIS DRAWING IS THE SOLE PROPERTY OF BAYNE MACHINE WORKS, INC. AND IS RECALLABLE AT ANY TIME. IT MUST NOT BE COPIED OR USED DETRIMENTALLY TO THE INTEREST OF BAYNE MACHINE WORKS, INC.

UNLESS OTHERWISE SPECIFIED DIMENSIONS ARE IN INCHES  
 LINEAR TOLERANCES:  
 FRACTIONAL ±1/32  
 TWO PLACE DECIMAL ±.015  
 THREE PLACE DECIMAL ±.005  
 ANGULAR TOLERANCES:  
 MACHINED ±0.25 DEG  
 BEND ±1.00 DEG

**BAYNE MACHINE WORKS, INC.**  
 910 FORK SHOALS ROAD - GREENVILLE, SC 29605 - 864.288.3877

TITLE  
**EVTL + 34" SERIES SPECIFICATIONS**

|          |        |                 |                    |               |                    |          |
|----------|--------|-----------------|--------------------|---------------|--------------------|----------|
| MATERIAL |        | DRAWN BY<br>CTT | DATE<br>10/19/2009 | SCALE<br>NONE | SHEET<br>1         | OF<br>3  |
| QTY      | FINISH | WEIGHT          | CHECKED BY         | DATE          | DWG NO<br>H1400034 | REV<br>- |



- NOTE:
6. "TOP" MOUNT REFERS TO UNITS WITH 8150-1031 VERTICAL ASSEMBLY ON WHICH THE LIFTER MOUNTS AT THE TOP OF THE CARRIAGE.
  7. "MID" MOUNT REFERS TO UNITS WITH 8150-1027 VERTICAL ASSEMBLY ON WHICH THE LIFTER MOUNTS IN THE MIDDLE OF THE CARRIAGE.
  8. "OWM" OR OVER THE WHEEL MOUNT REFERS TO UNITS WITH 8150-1028 VERTICAL ASSEMBLY ON WHICH THE LIFTER MOUNTS AT THE BOTTOM OF THE CARRIAGE.

|  |        |   |            |   |          |     |  |
|--|--------|---|------------|---|----------|-----|--|
| <p align="center"><b>CONFIDENTIAL</b></p> <p>THE INFORMATION CONTAINED IN THIS DRAWING IS THE SOLE PROPERTY OF BAYNE MACHINE WORKS, INC. AND IS RECALLABLE AT ANY TIME. IT MUST NOT BE COPIED OR USED DETRIMENTALLY TO THE INTEREST OF BAYNE MACHINE WORKS, INC.</p> |        | <p>UNLESS OTHERWISE SPECIFIED DIMENSIONS ARE IN INCHES</p> <p>LINEAR TOLERANCES:<br/>           FRACTIONAL ±1/32<br/>           TWO PLACE DECIMAL ±.015<br/>           THREE PLACE DECIMAL ±.005</p> <p>ANGULAR TOLERANCES:<br/>           MACHINED ±0.25 DEG<br/>           BEND ±1.00 DEG</p> |            | <p align="center"><b>BAYNE MACHINE WORKS, INC.</b></p> <p align="center">910 FORK SHOALS ROAD - GREENVILLE, SC 29605 - 864.288.3877</p> |          |     |  |
|  |        |   |            | <p>TITLE</p> <p align="center"><b>EVTL + 34" SERIES SPECIFICATIONS</b></p>  |          |     |  |
| MATERIAL   |        | DRAWN BY  | DATE       | SCALE   | SHEET    | OF  |  |
|  |        | CTT   | 10/19/2009 | NONE  | 2        | 3   |  |
| QTY  | FINISH | WEIGHT  | CHECKED BY | DATE  | DWG NO   | REV |  |
|  |        |   |            |   | H1400034 | -   |  |

| MODEL NUMBER                  | PART #    | "A" DIM. | "B" DIM. | "C" DIM. | "D" DIM. | "E" DIM. | "F" DIM. | "G" DIM. | "H" DIM. | "J" DIM. | "K" DIM. | "L" DIM. |
|-------------------------------|-----------|----------|----------|----------|----------|----------|----------|----------|----------|----------|----------|----------|
| EVTL 2220-2524 + 34" (TOP) ** | 1962-0053 | 63 5/8"  | 17 1/2"  | 36 1/2"  | 78 1/8"  | 73 3/8"  | 11 3/8"  | 13 1/4"  | 39 3/8"  | 69 7/8"  | 122 1/8" | 52°      |
| EVTL 2220-2524 + 34" (MID) ** | 1962-0054 | 67 3/8"  | 17 1/2"  | 40 1/4"  | 78 1/8"  | 77 1/8"  | 15 1/8"  | 13 1/4"  | 39 3/8"  | 69 7/8"  | 122 1/8" | 52°      |
| EVTL 2224-2524 + 34" (TOP) ** | 1962-0055 | 67 1/4"  | 15 3/4"  | 40 1/8"  | 84 3/8"  | 76 7/8"  | 15"      | 13 1/4"  | 39 3/8"  | 77 3/8"  | 129 3/4" | 52°      |
| EVTL 2224-2524 + 34" (MID) ** | 1962-0056 | 71"      | 15 3/4"  | 43 7/8"  | 84 3/8"  | 80 5/8"  | 18 3/4"  | 13 1/4"  | 39 3/8"  | 77 3/8"  | 129 3/4" | 52°      |
| EVTL 2228-2524 + 34" (TOP) ** | 1962-0064 | 71 1/4"  | 15 3/4"  | 44 1/8"  | 92 1/4"  | 80 7/8"  | 19"      | 13 5/8"  | 39"      | 85 7/8"  | 138 1/8" | 50°      |
| EVTL 2228-2524 + 34" (MID) ** | 1962-0058 | 75"      | 15 3/4"  | 47 7/8"  | 92 1/4"  | 84 5/8"  | 22 3/4"  | 13 5/8"  | 39"      | 85 7/8"  | 138 1/8" | 50°      |
| EVTL 2228-2524 + 34" (OWM) ** | 1962-0057 | 86"      | 15 3/4"  | 58 7/8"  | 92 1/4"  | 95 5/8"  | 33 3/4"  | 13 5/8"  | 39"      | 85 7/8"  | 138 1/8" | 50°      |
| EVTL 2232-2524 + 34" (TOP) ** | 1962-0065 | 75 1/4"  | 15 3/4"  | 48 1/8"  | 99 7/8"  | 84 7/8"  | 23"      | 14"      | 38 3/4"  | 94 1/4"  | 146 3/8" | 48°      |
| EVTL 2232-2524 + 34" (MID) ** | 1962-0060 | 79"      | 15 3/4"  | 51 7/8"  | 99 7/8"  | 88 5/8"  | 26 3/4"  | 14"      | 38 3/4"  | 94 1/4"  | 146 3/8" | 48°      |
| EVTL 2232-2524 + 34" (OWM) ** | 1962-0059 | 90"      | 15 3/4"  | 62 7/8"  | 99 7/8"  | 99 5/8"  | 37 3/4"  | 14"      | 38 3/4"  | 94 1/4"  | 146 3/8" | 48°      |
| EVTL 2234-2524 + 34" (TOP) ** | 1962-0063 | 77 1/4"  | 15 3/4"  | 50 1/8"  | 103 5/8" | 86 7/8"  | 25"      | 14 1/8"  | 38 5/8"  | 98 3/8"  | 150 1/2" | 48°      |
| EVTL 2234-2524 + 34" (MID) ** | 1962-0062 | 81"      | 15 3/4"  | 53 7/8"  | 103 5/8" | 90 5/8"  | 28 3/4"  | 14 1/8"  | 38 5/8"  | 98 3/8"  | 150 1/2" | 48°      |
| EVTL 2234-2524 + 34" (OWM) ** | 1962-0061 | 92"      | 15 3/4"  | 64 7/8"  | 103 5/8" | 101 5/8" | 39 3/4"  | 14 1/8"  | 38 5/8"  | 98 3/8"  | 150 1/2" | 48°      |

|   |        |  |                    |  |                    |
|---|--------|--|--------------------|--|--------------------|
| <b>CONFIDENTIAL</b>   |        | UNLESS OTHERWISE SPECIFIED<br>DIMENSIONS ARE IN INCHES   |                    | <b>BAYNE MACHINE WORKS, INC.</b>                           |                    |
| THE INFORMATION CONTAINED IN THIS<br>DRAWING IS THE SOLE PROPERTY OF<br>BAYNE MACHINE WORKS, INC. AND IS<br>RECALLABLE AT ANY TIME. IT MUST<br>NOT BE COPIED OR USED<br>DETRIMENTALLY TO THE INTEREST OF<br>BAYNE MACHINE WORKS, INC. |        | LINEAR TOLERANCES:<br>FRACTIONAL ±1/32<br>TWO PLACE DECIMAL ±.015<br>THREE PLACE DECIMAL ±.005 |                    | 910 FORK SHOALS ROAD - GREENVILLE, SC 29605 - 864.288.3877 |                    |
|   |        | ANGULAR TOLERANCES:<br>MACHINED ±.025 DEG<br>BEND ±1.00 DEG                                    |                    | TITLE<br>EVTL + 34" SERIES SPECIFICATIONS                  |                    |
| MATERIAL  |        | DRAWN BY<br>CTT  | DATE<br>10/19/2009 | SCALE<br>NONE  | SHEET OF<br>3 3    |
| QTY   | FINISH | WEIGHT   | CHECKED BY         | DATE   | DWG NO<br>H1400034 |
|   |        |  |                    |  | REV<br>-           |