



# FEL Carry Can

## Mobile Refuse Cart Lifter

Bayne offers a full line of patented **FEL Carry Cans** to fit all OEM truck models. In addition to the patented Thinline<sup>®</sup> rack and pinion rotary actuator, Bayne also holds a patent on the combination of a cart lifter with an FEL Carry Can, thus allowing the hauler to operate one truck for both residential and commercial routes resulting in a reduction of total fleet cost. The FEL Carry Can has a 3 cubic yard capacity for less dump cycles and cart lifters can be mounted on the curb side and/or front of the carry can. FEL Carry Cans are constructed of 12 gauge steel for durability.

- Compatible with both semi-automated and fully automated roll-out carts
- Designed to provide close access to containers on the curb
- Quick disconnect fittings allow for easy removal of the carry can when changing from residential to commercial routes
- Places cart to the center of the carry can when dumping to prevent spillage
- Powder-coated finish for durability
- 2-Year Limited Warranty



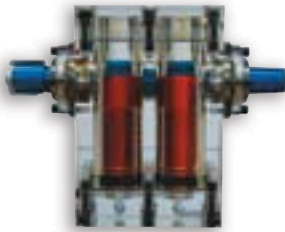
*Premium Lift Systems*

**Precision, Quality and...Patented Engineering!**

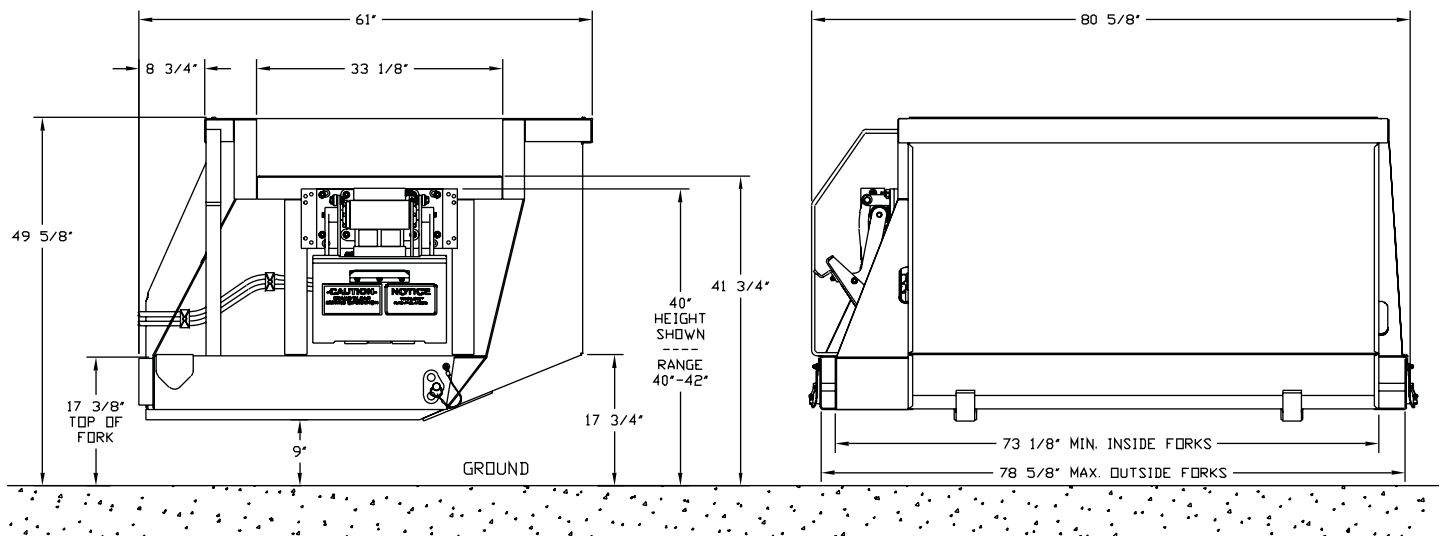
# FEL Carry Can

## Specifications and Dimensions

<b>Cart Compatibility:</b>	ANSI Z245.60-2008 Type B Containers (domestic 2-bar carts) ANSI Z245.60-2008 Type C Containers (European comb-lift carts) ANSI Z245.60-2008 Type D Containers (diamond pocket carts) ANSI Z245.60-2008 Type G Containers (automated grabber carts) Standard size 30 and 55 gallon drums
<b>Lift Capacity:</b>	400 lbs @ 1800 psi
<b>Hydraulic Pressure:</b>	3000 psi maximum (BTL / MBTL / TL) 2500 psi maximum (VBTL / GTL)
<b>Hydraulic Flow:</b>	2.0 – 2.5 gpm
<b>Cycle Time:</b>	6 – 8 seconds (BTL / MBTL / TL) 8 – 10 seconds (VBTL), 10 - 12 seconds (GTL)
<b>Bearings:</b>	Self-Lubricating Composite Material
<b>Actuator:</b>	Patented Thinline® Rack and Pinion Rotary Actuator
<b>Finish:</b>	Safety Yellow Powder Coating
<b>Options:</b>	•Hydraulic Tap-In Kit



Patented Thinline®  
Rack and Pinion  
Rotary Actuator



### Bayne Premium Lift Systems

910 Fork Shoals Road, Greenville, SC 29605 • [www.baynethinline.com](http://www.baynethinline.com)  
Toll Free: 800.535.2671 • Local: 864.288.3877 • Fax: 864.458.7519

© 2010, Bayne Premium Lift Systems  
Printed in U.S.A. Form #BLS-09-001-041505