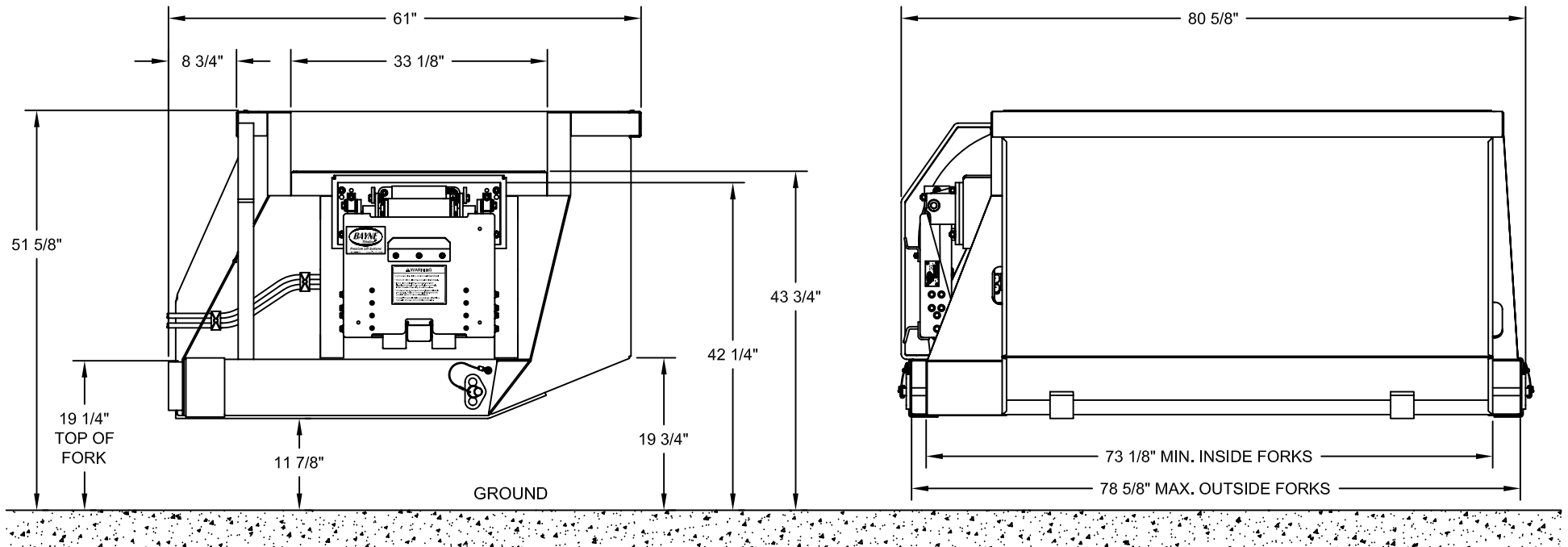


NOTE:

1. DIMENSIONS ACCOMMODATE ANSI Z245.60-2008 TYPE B CONTAINERS (DOMESTIC 2-BAR CARTS), BUT MAY VARY DUE TO CONTAINER SPECIFICATIONS OR APPLICATIONS.
2. ALL DIMENSIONS ARE APPROXIMATE.
3. PART NUMBERS: 1910-0001 - BTL 1114 SO CARRY CAN



CONFIDENTIAL		UNLESS OTHERWISE SPECIFIED DIMENSIONS ARE IN INCHES LINEAR TOLERANCES: FRACTIONAL ±1/32 TWO PLACE DECIMAL ±.015 THREE PLACE DECIMAL ±.005 ANGULAR TOLERANCES: MACHINED ±0.25 DEG BEND ±1.00 DEG		BAYNE MACHINE WORKS, INC.			
THE INFORMATION CONTAINED IN THIS DRAWING IS THE SOLE PROPERTY OF BAYNE MACHINE WORKS, INC. AND IS RECALLABLE AT ANY TIME. IT MUST NOT BE COPIED OR USED DETRIMENTALLY TO THE INTEREST OF BAYNE MACHINE WORKS, INC.				910 FORK SHOALS ROAD - GREENVILLE, SC 29605 - 864.288.3877			
				TITLE			
				BTL 1114 SO CARRY CAN SPECIFICATIONS			
MATERIAL		DRAWN BY	DATE	SCALE	SHEET OF		
		CTT	11/16/2009	NONE	1 1		
QTY	FINISH	WEIGHT	CHECKED BY	DATE	DWG NO	REV	
					H5300006	-	