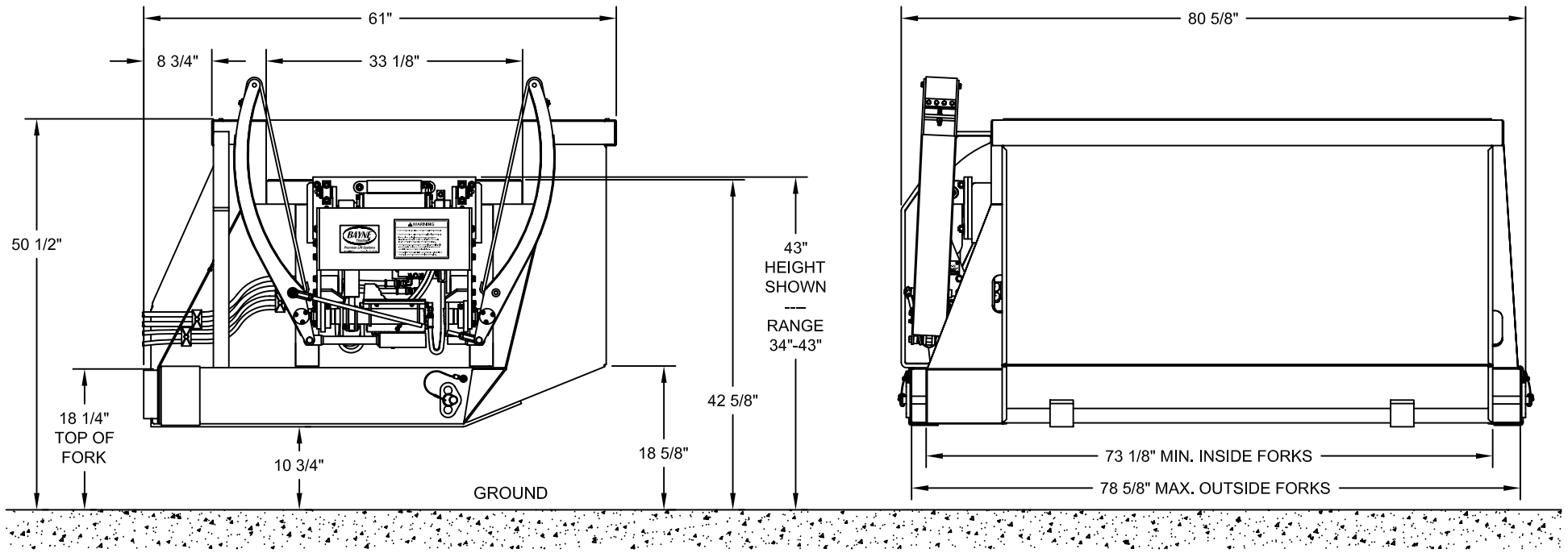


- NOTE:
1. DIMENSIONS MAY VARY DUE TO CONTAINER SPECIFICATIONS OR APPLICATIONS.
 2. ALL DIMENSIONS ARE APPROXIMATE.
 3. PART NUMBERS: 1910-0003 - GTL 1110 CARRY CAN



CONFIDENTIAL

THE INFORMATION CONTAINED IN THIS DRAWING IS THE SOLE PROPERTY OF BAYNE MACHINE WORKS, INC. AND IS RECALLABLE AT ANY TIME. IT MUST NOT BE COPIED OR USED DETRIMENTALLY TO THE INTEREST OF BAYNE MACHINE WORKS, INC.

UNLESS OTHERWISE SPECIFIED DIMENSIONS ARE IN INCHES
 LINEAR TOLERANCES:
 FRACTIONAL ±1/32
 TWO PLACE DECIMAL ±.015
 THREE PLACE DECIMAL ±.005
 ANGULAR TOLERANCES:
 MACHINED ±0.25 DEG
 BEND ±1.00 DEG

BAYNE MACHINE WORKS, INC.
 910 FORK SHOALS ROAD - GREENVILLE, SC 29605 - 864.288.3877

TITLE
 GTL 1110 CARRY CAN SPECIFICATIONS

| | | | | | | |
|----------|--------|-----------------|--------------------|---------------|--------------------|----------|
| MATERIAL | | DRAWN BY CTT | DATE 11/16/2009 | SCALE NONE | SHEET 1 | OF 1 |
| QTY | FINISH | WEIGHT | CHECKED BY | DATE | DWG NO H5300008 | REV - |