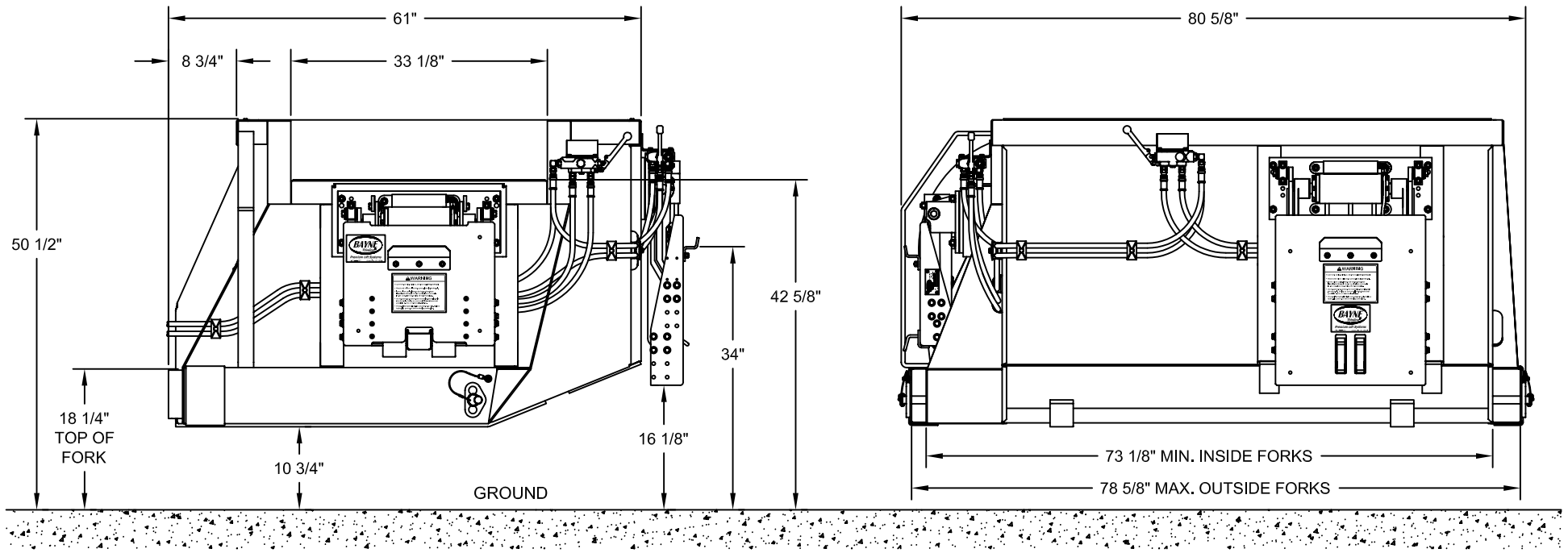


**NOTE:**

1. DIMENSIONS ACCOMMODATE ANSI Z245.60-2008 TYPE B CONTAINERS (DOMESTIC 2-BAR CARTS), BUT MAY VARY DUE TO CONTAINER SPECIFICATIONS OR APPLICATIONS.
2. ALL DIMENSIONS ARE APPROXIMATE.
3. PART NUMBERS: 1910-0006 - BTL 1114 SO & TL 1120 (TOP) CARRY CAN



<p align="center"><b>CONFIDENTIAL</b></p> <p>THE INFORMATION CONTAINED IN THIS DRAWING IS THE SOLE PROPERTY OF BAYNE MACHINE WORKS, INC. AND IS RECALLABLE AT ANY TIME. IT MUST NOT BE COPIED OR USED DETRIMENTALLY TO THE INTEREST OF BAYNE MACHINE WORKS, INC.</p>		<p>UNLESS OTHERWISE SPECIFIED DIMENSIONS ARE IN INCHES</p> <p>LINEAR TOLERANCES:                  FRACTIONAL ±1/32                  TWO PLACE DECIMAL ±.015                  THREE PLACE DECIMAL ±.005</p> <p>ANGULAR TOLERANCES:                  MACHINED ±0.25 DEG                  BEND ±1.00 DEG</p>		<p><b>BAYNE MACHINE WORKS, INC.</b></p> <p>910 FORK SHOALS ROAD - GREENVILLE, SC 29605 - 864.288.3877</p>			
				<p>TITLE</p> <p align="center"><b>BTL &amp; TL CARRY CAN SPECIFICATIONS</b></p>			
MATERIAL		DRAWN BY	DATE	SCALE	SHEET	OF	
		CTT	11/17/2009	NONE	1	1	
QTY	FINISH	WEIGHT	CHECKED BY	DATE	DWG NO	REV	
					H5300010	-	