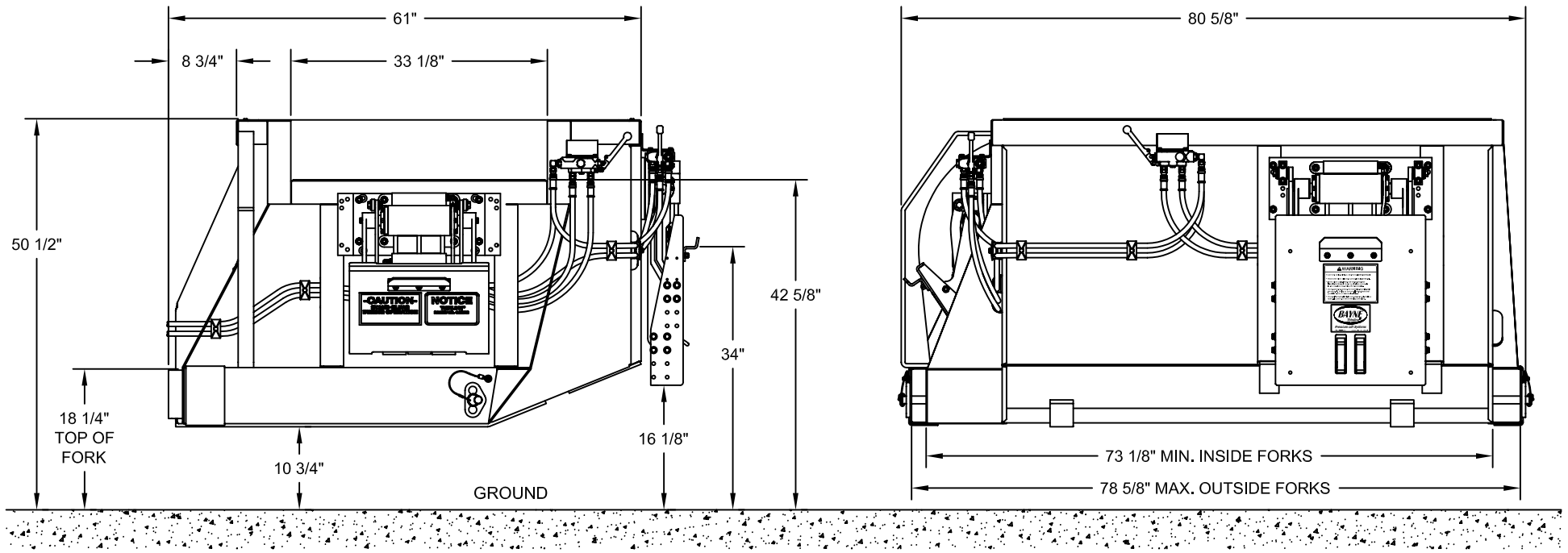


NOTE:

1. DIMENSIONS ACCOMMODATE ANSI Z245.60-2008 TYPE B CONTAINERS (DOMESTIC 2-BAR CARTS), BUT MAY VARY DUE TO CONTAINER SPECIFICATIONS OR APPLICATIONS.
2. ALL DIMENSIONS ARE APPROXIMATE.
3. PART NUMBERS: 1910-0007 - MBTL 169 & TL 1120 (TOP) CARRY CAN



| | | | | | | | |
|--|--------|---|------------|---|----------|-----|--|
| <p align="center">CONFIDENTIAL</p> <p>THE INFORMATION CONTAINED IN THIS DRAWING IS THE SOLE PROPERTY OF BAYNE MACHINE WORKS, INC. AND IS RECALLABLE AT ANY TIME. IT MUST NOT BE COPIED OR USED DETRIMENTALLY TO THE INTEREST OF BAYNE MACHINE WORKS, INC.</p> | | <p>UNLESS OTHERWISE SPECIFIED DIMENSIONS ARE IN INCHES</p> <p>LINEAR TOLERANCES: FRACTIONAL ±1/32 TWO PLACE DECIMAL ±.015 THREE PLACE DECIMAL ±.005</p> <p>ANGULAR TOLERANCES: MACHINED ±0.25 DEG BEND ±1.00 DEG</p> | | <p align="center">BAYNE MACHINE WORKS, INC.</p> <p align="center">910 FORK SHOALS ROAD - GREENVILLE, SC 29605 - 864.288.3877</p> | | | |
| | | | | <p>TITLE</p> <p align="center">MBTL & TL CARRY CAN SPECIFICATIONS</p> | | | |
| MATERIAL | | DRAWN BY | DATE | SCALE | SHEET | OF | |
| | | CTT | 11/17/2009 | NONE | 1 | 1 | |
| QTY | FINISH | WEIGHT | CHECKED BY | DATE | DWG NO | REV | |
| | | | | | H5300011 | - | |