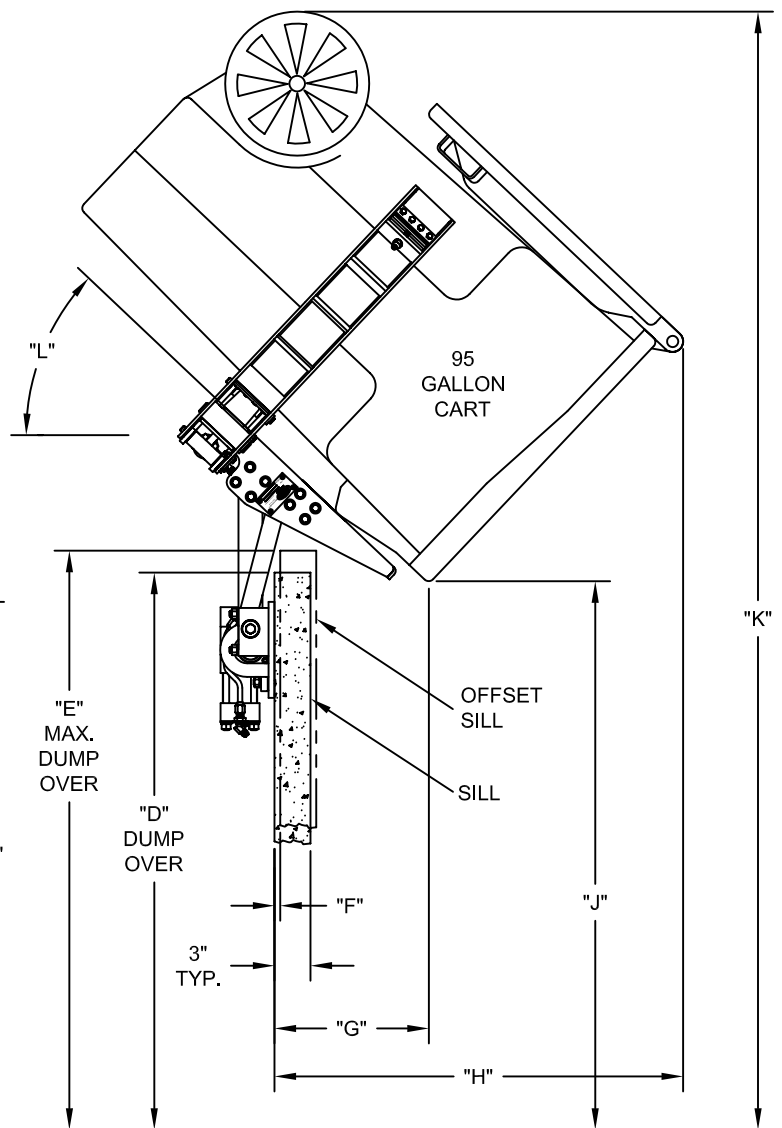
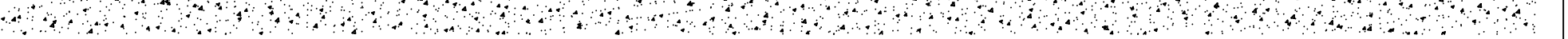
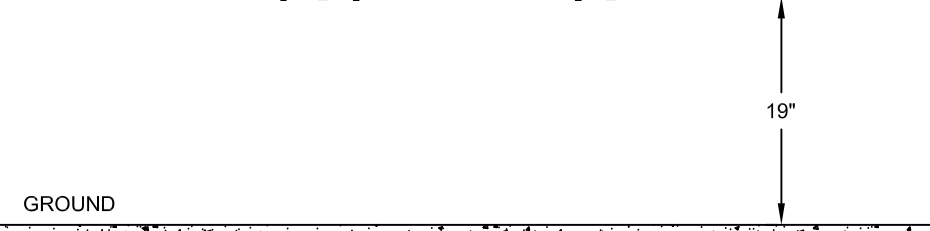
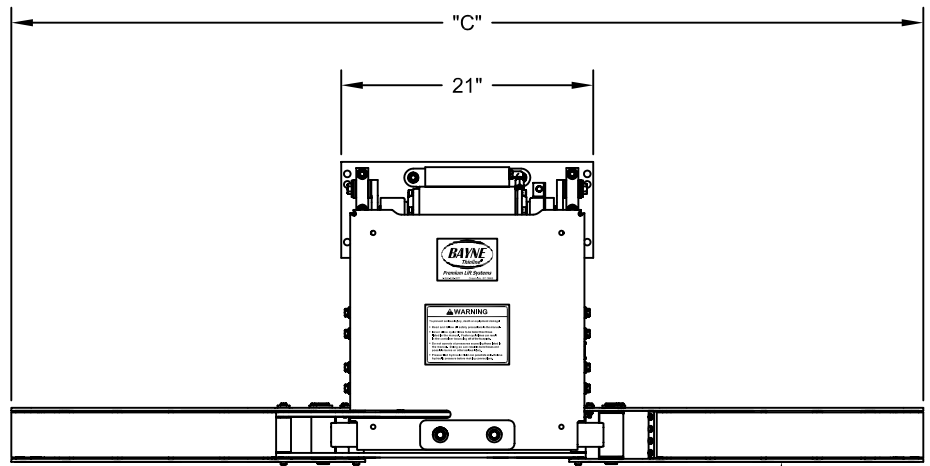
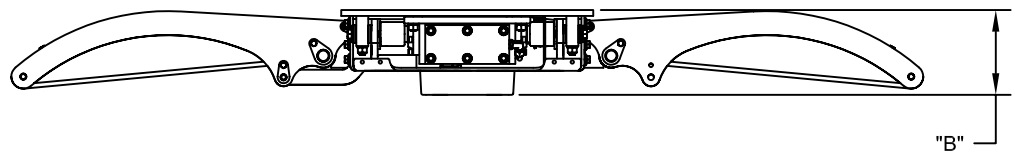


- NOTE:
1. DIMENSIONS MAY VARY DUE TO CONTAINER SPECIFICATIONS OR APPLICATIONS.
  2. ALL DIMENSIONS ARE APPROXIMATE.
  3. FOR BOLT-ON APPLICATIONS USE MOUNTING PLATE KIT 2000-1112.
  4. PART NUMBERS: SEE CHART



<p><b>CONFIDENTIAL</b></p> <p>THE INFORMATION CONTAINED IN THIS DRAWING IS THE SOLE PROPERTY OF BAYNE MACHINE WORKS, INC. AND IS RECALLABLE AT ANY TIME. IT MUST NOT BE COPIED OR USED DETRIMENTALLY TO THE INTEREST OF BAYNE MACHINE WORKS, INC.</p>		<p>UNLESS OTHERWISE SPECIFIED DIMENSIONS ARE IN INCHES</p> <p>LINEAR TOLERANCES:            FRACTIONAL ±1/32            TWO PLACE DECIMAL ±.015            THREE PLACE DECIMAL ±.005</p> <p>ANGULAR TOLERANCES:            MACHINED ±0.25 DEG            BEND ±1.00 DEG</p>		<p><b>BAYNE MACHINE WORKS, INC.</b>            910 FORK SHOALS ROAD - GREENVILLE, SC 29605 - 864.288.3877</p>			
				<p>TITLE  <b>GRL SERIES SPECIFICATIONS</b></p>			
MATERIAL		DRAWN BY CTT	DATE 10/20/2009	SCALE NONE	SHEET 1	OF 2	
QTY	FINISH	WEIGHT	CHECKED BY	DATE	DWG NO H5900000	REV -	

MODEL NUMBER	PART #	"A" DIM.	"B" DIM.	"C" DIM.	"D" DIM.	"E" DIM.	"F" DIM.	"G" DIM.	"H" DIM.	"J" DIM.	"K" DIM.	"L" DIM.
GRL 1110	1900-0540	40"	7 1/8"	76"	40 1/2"	N/A	N/A	12 7/8"	34"	37 3/4"	85 1/4"	43°
GRL 1110 E	1900-0550	40"	7 1/8"	82"	40 1/2"	N/A	N/A	12 7/8"	34"	37 3/4"	85 1/4"	43°
GRL 1111	1900-0541	41"	7 1/8"	76"	42 1/4"	42 3/4"	1/8"	13 1/8"	33 5/8"	40 1/4"	87 3/8"	41°
GRL 1112	1900-0542	42"	7 1/8"	76"	43 5/8"	44 3/4"	3/8"	13 1/4"	33 1/4"	42 5/8"	89 3/8"	40°
GRL 1113	1900-0543	43"	7 1/8"	76"	45 1/8"	46 7/8"	1/2"	13 3/8"	33"	45"	91 3/8"	39°
GRL 1114	1900-0544	44"	7 1/8"	76"	46 1/2"	48 1/4"	1/2"	12 7/8"	34"	45 3/4"	93 1/4"	43°
GRL 1115	1900-0545	45"	7 1/8"	76"	48"	51"	3/4"	13 5/8"	32 1/2"	49 3/8"	95 3/8"	37°
GRL 1120	1900-0549	50"	7 1/8"	76"	55 1/8"	60 3/4"	7/8"	13 3/8"	33"	59"	105 3/8"	39°

<b>CONFIDENTIAL</b>		UNLESS OTHERWISE SPECIFIED DIMENSIONS ARE IN INCHES		<b>BAYNE MACHINE WORKS, INC.</b>	
THE INFORMATION CONTAINED IN THIS DRAWING IS THE SOLE PROPERTY OF BAYNE MACHINE WORKS, INC. AND IS RECALLABLE AT ANY TIME. IT MUST NOT BE COPIED OR USED DETRIMENTALLY TO THE INTEREST OF BAYNE MACHINE WORKS, INC.		LINEAR TOLERANCES: FRACTIONAL ±1/32 TWO PLACE DECIMAL ±.015 THREE PLACE DECIMAL ±.005		910 FORK SHOALS ROAD - GREENVILLE, SC 29605 - 864.288.3877	
MATERIAL		DRAWN BY CTT		DATE 10/20/2009	
QTY		FINISH		WEIGHT	
CHECKED BY		DATE		DWG NO H5900000	
TITLE GRL SERIES SPECIFICATIONS		SCALE NONE		SHEET OF 2 2	
REV -					