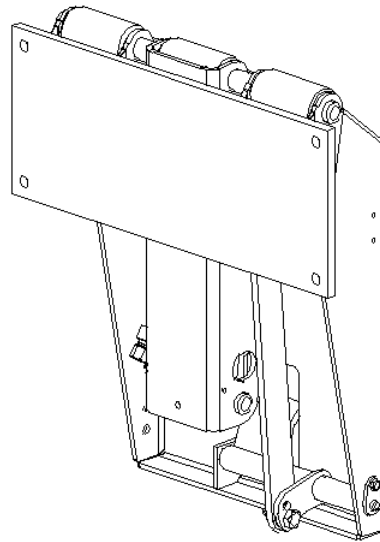
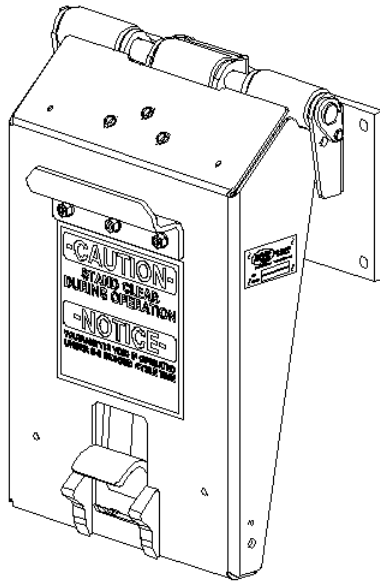




Premium Lift Systems

OPERATION AND PARTS MANUAL



MODEL NUMBER :

Taskmaster™

PART NUMBER :

1999-9000

SERIAL NUMBER :

BAYNE MACHINE WORKS, INC.
910 FORK SHOALS ROAD
GREENVILLE SC, 29605
WEBSITE: www.baynethinline.com

PHONE: 864.288.3877
TOLL FREE: 800.535.2671
FAX: 864.458.7519
E-MAIL: sales@baynethinline.com

LICENSED UNDER ONE OR MORE OF
THE FOLLOWING U.S. AND CANADIAN PATENTS:

5,503,512	4,773,812	1,327,765	5,447,405
1,335,648	5,308,211	5,333,984	5,826,485

TABLE OF CONTENTS

	Page
I. <i>THINLINE</i> [®] Specifications _____	3
II. <i>THINLINE</i> [®] Installation Instructions _____	4
III. <i>THINLINE</i> [®] Operation Instructions _____	12
IV. <i>THINLINE</i> [®] Diverter Valve Information _____	14
V. <i>THINLINE</i> [®] Maintenance Instructions _____	16
VI. Trouble-shooting Chart _____	17
VII. Appendix A	
1. Unit Assembly Drawings _____	21
2. Mounting Height Drawing _____	27
3. Hydraulic Schematic Drawings _____	28
4. Diverter Valve Drawings _____	30
5. Hand Valve Drawings _____	32

SPECIFICATIONS (WI-0084-A)
Bayne ***THINLINE***[®] Premium Lift Systems

- A. Double acting welded cylinder.
 - Replaceable seals.
 - Double action provides smooth operation throughout the dump cycle.
- B. All bearings are made of a composite material, which provides superior compression strength along with self-lubrication, thus eliminating the need to grease the arm bearings.
- C. The lift unit measures only 8 5/8” thick from the back of the mainframe to the front of the lift saddle in the down position.
- D. The faceplate is normally at 45 degrees in the dump position in order to completely eject all materials into the hopper. The faceplate remains outside the hopper opening in the dump position, therefore preventing any interference with the sweep of the packer blade.
- E. The lift unit operates at a cycle time of **6 to 8 seconds** for safe, fast, efficient service.

Note : *Cycle time is controlled by flowrate, as flowrate increases, cycle time decreases. In order to avoid injury and maintain manufacturer’s warranty never operate outside the cycle time listed above*

- F. Recommended flow rate is **1 1/2 to 2 GPM**.
- G. Hydraulic pressure requirements are as follows:
 - **1800 PSI** normal working pressure
 - **2500 PSI** maximum pressure
- H. Lift unit can be a bolt on type installation for easy, quick maintenance and less downtime.
- I. All parts are manufactured and kept in stock at Bayne Machine Works, Inc. for fast response to customer requests.
- J. One (1) year limited warranty from date of delivery on all units and models when properly maintained and operated within the recommended cycle time.

All lift units and parts are inspected by our Quality Control Department before shipment to insure that you always receive the highest quality available in the lift business.

For more information, please contact us at (800) 535-2671 or by fax at (864) 458-7519.

INSTALLATION INSTRUCTIONS (WI-0224-B)

Bayne *THINLINE*[®] Premium Lift Systems

The following information is intended to be a **GENERAL GUIDE** to installing the Bayne *THINLINE*[®] lifter on a typical refuse truck. Before starting the installation, read these instructions completely. **ALWAYS** use the proper tools, lift devices, and personal protective equipment to prevent injury while performing the installation.

NOTE: If a Bayne *THINLINE*[®] Tap-In Kit was also acquired for this installation, refer to the installation instructions included in the Tap-In Kit manual for more detailed information.

I. Mounting lifter(s) on the truck :

1. The truck should be emptied and cleaned before any installation. The truck should be parked on a level solid surface, a concrete floor if possible.
2. All lights, tags, steps, etc. that will interfere with the installation should be removed and/or relocated.
3. Position the lifter(s) on the sill of the truck per *figure I-1* and mounting height drawing (*Appendix A*) and tack weld in place. If installing with the use of a mounting plate kit for bolt-on applications, tack weld the mounting plate in place and attach the lifter using the studs, washers, and nuts supplied.

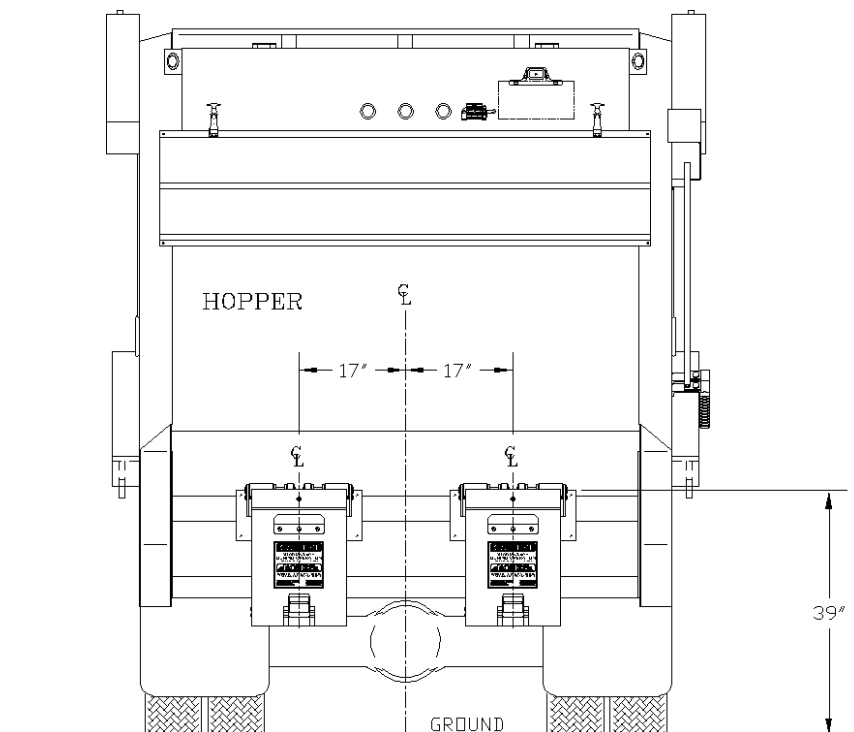


figure I-1

II. Mounting hand valve(s) on the truck :

1. Choose and mark an acceptable location(s) on the side(s) of the truck to mount the hand valve assembly(s), approximately 48” to 54” from the ground as shown in figure I-2.
2. Remove the mounting bracket(s) from the hand valve assembly(s) and weld to the truck.
3. After the weld has cooled, paint the mounting bracket(s) to match the truck color.
4. After the paint has dried, reassemble the hand valve assembly(s) on the mounting bracket(s).

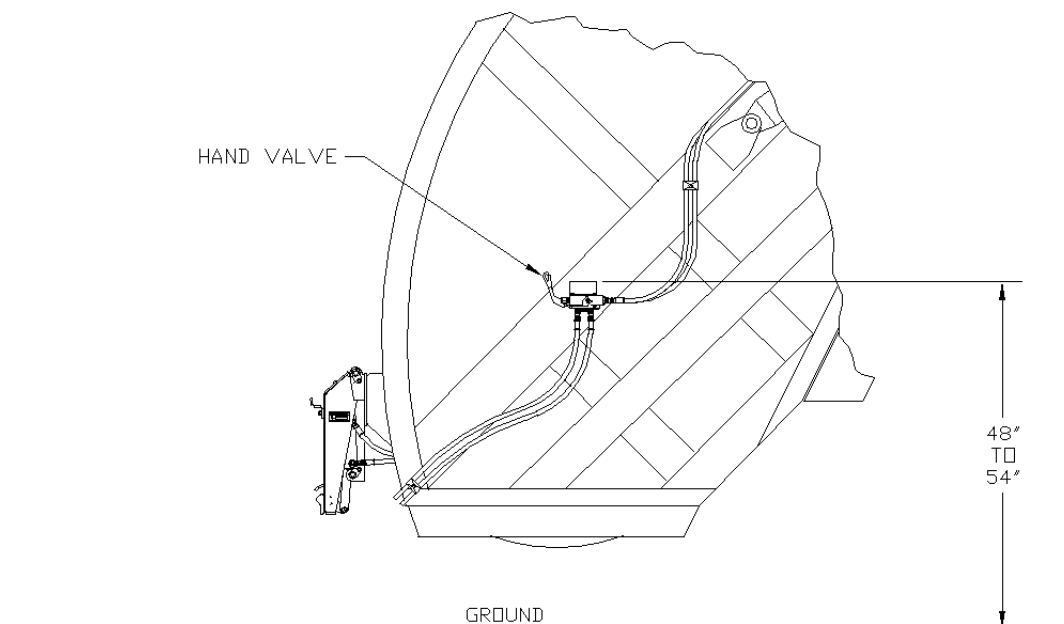


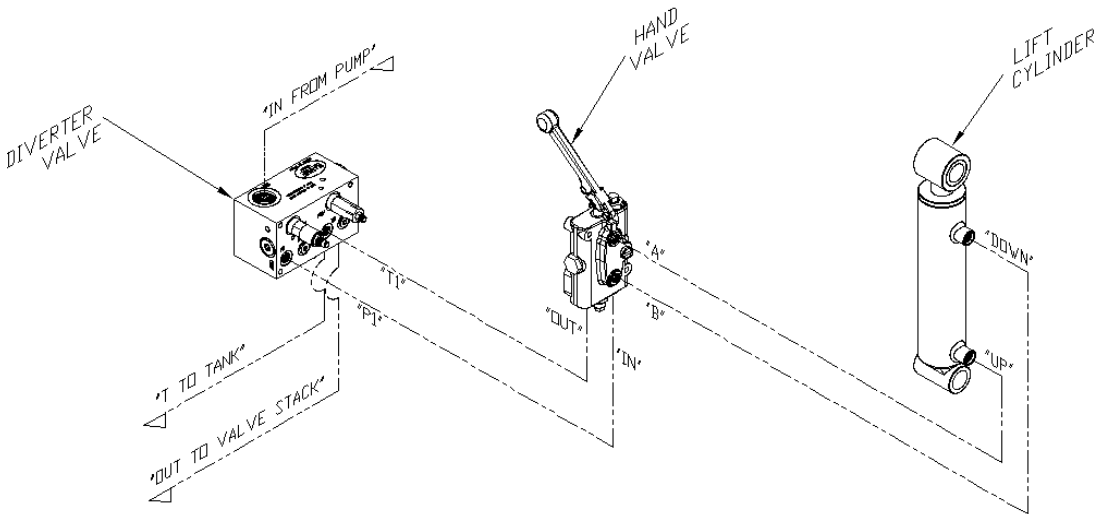
figure I-2

III. Mounting diverter valve on the truck :

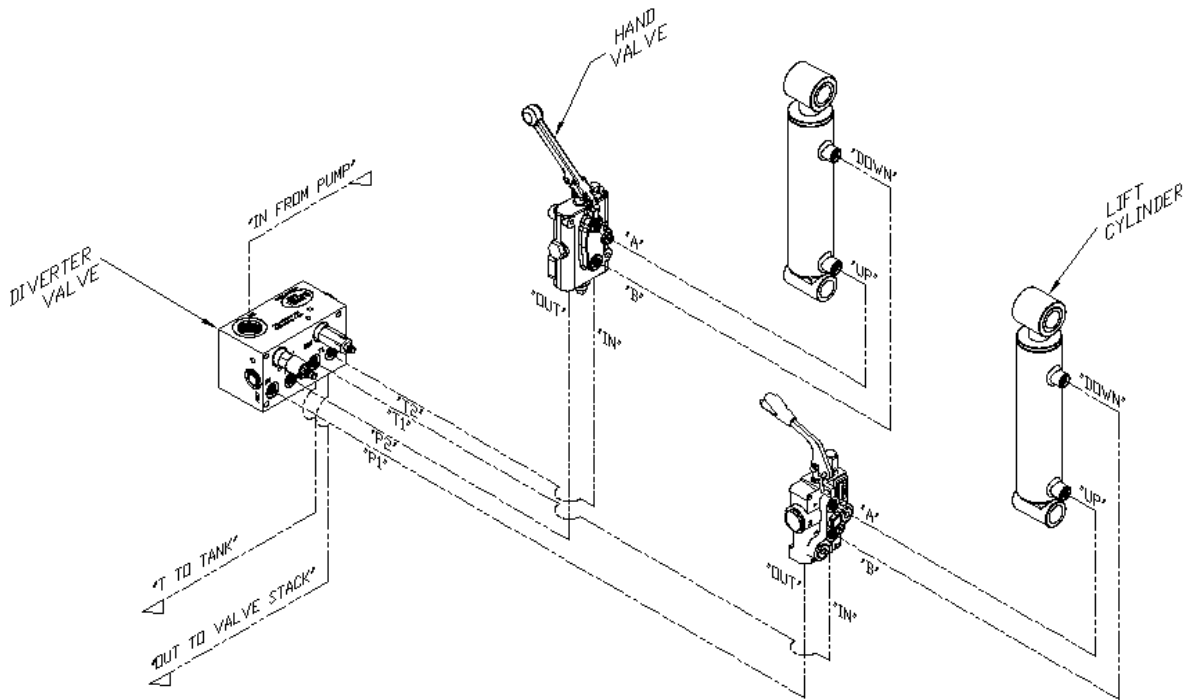
1. Choose and mark an acceptable location to mount the diverter valve assembly. This location should be near the truck's main hydraulic pressure and tank lines on the same area of the truck where the lifter is mounted.
2. Weld diverter valve mounting bracket to the truck.
3. After the weld has cooled, paint the mounting bracket to match the truck color.
4. After the paint has dried, bolt the diverter valve to the mounting bracket using the 1/4” bolts, washers, and elastic lock nuts.

IV. Making Hydraulic Connections :

Before attempting any hydraulic connections, turn the truck's engine off and release all hydraulic pressure from the system. Refer to the hydraulic layouts (figure I-3) and hydraulic schematics (Appendix A) while performing the following steps. Always clean & lubricate fitting threads before installation.



Single Lifter Installation



Dual Lifter Installation

figure I-3

1. Cut or disconnect truck's main hydraulic pressure line and install the Bayne diverter valve in series using the "IN" and "OUT" ports.
2. Connect the "T" port on the diverter valve to the truck's hydraulic tank line with an appropriate size line to handle the full system flow.
3. Connect port "P1" on the diverter valve to the "IN" port on the hand valve.
If installing dual lifters, connect port "P2" on the diverter valve to the "IN" port on the other hand valve.
4. Connect port "T1" on the diverter valve to the "OUT" port on the hand valve.
If installing dual lifters, connect port "T2" on the diverter valve to the "OUT" port on the other hand valve.
5. Connect the "A" port on the hand valve(s) to the "DOWN" port on the rotary actuator(s).
6. Connect the "B" port on the hand valve(s) to the "UP" port on the rotary actuator(s).
7. Disassemble each hose clamp assembly and position weld plates where needed and weld in place.
8. After the weld has cooled, paint the weld plates to match the truck color.
9. After the paint has dried, reassemble the hose clamp assemblies around the hoses.

V. Adjusting relief valve settings :

The diverter valve (1) (figure I-4) supplies the cart lifter hydraulic system with approximately 2 GPM of oil flow. This diverter valve is equipped with a full system relief valve (4) set at 2500 psi, to protect the truck's hydraulic system from any blockages that may occur down stream of the diverter valve. The diverter valve also includes a lifter circuit relief valve (3) set at 2300 psi, to prevent the diverter valve from shutting down if a blockage occurs in the lifter circuit. There is also a relief valve (5) set at 1800 psi in the hand valve (2) to protect the lifter from excessive pressure. These relief valves are preset from the factory to operate properly on most trucks with a system pressure between 2300 and 2500 psi without any adjustment. However if any adjustment is necessary, follow these instructions.

WARNING : Bayne equipment is rated for a maximum pressure of 3000 psi. Operation at pressures above 3000 psi may damage equipment and cause personal injury. In order to avoid injury and maintain manufacturer's warranty never operate above 3000 psi.

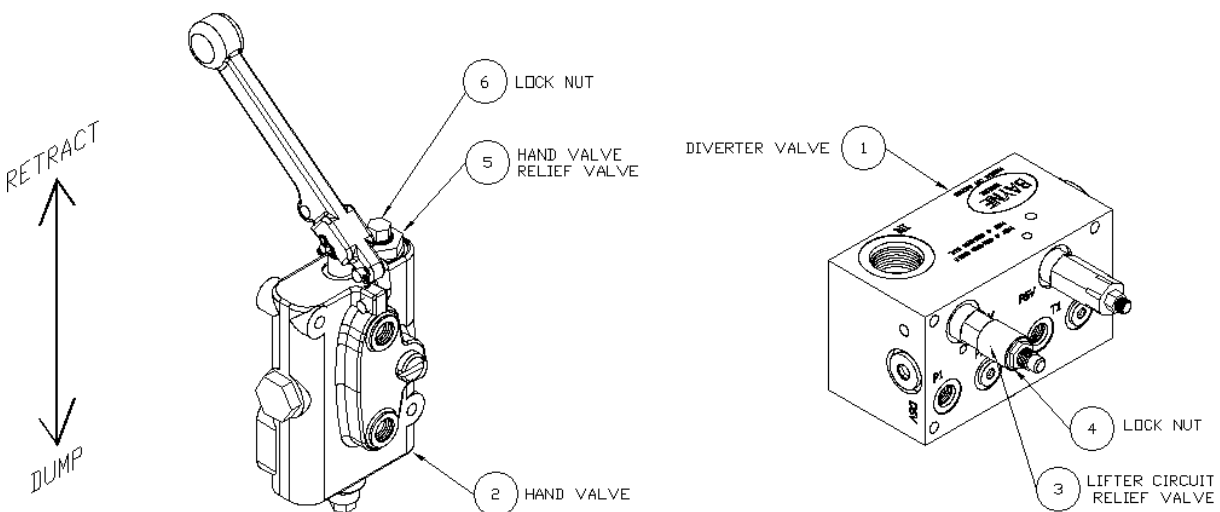


figure I-4

1. Determine the truck's system pressure setting.
2. Remove the cap nut(s) (8) (*figure I-4*) from the hand valve relief valve(s) (5) and turn the adjustment screw(s) clockwise until it bottoms out.
3. Loosen the lock nut (6) (*figure I-4*) on the lifter circuit relief valve (3) and turn the adjustment screw clockwise until it bottoms out.
4. Loosen the lock nut (7) (*figure I-4*) on the full system relief valve (4) and turn the adjustment screw counter-clockwise until it stops backing out.
5. Install a 3000 psi hydraulic pressure gauge with the necessary adapter in the "G" port of the diverter valve.
6. Start the truck's engine and engage the hydraulic system.
7. Operate the handle on the hand valve (2) (*figure I-3*) back and forth a few times to bleed all air from the lifter hydraulic system.
8. **Setting the diverter valve full system relief valve:**
 - a) Have an assistant hold the handle on the hand valve (2) (*figure I-4*) in the "retract" position. *If installing dual lifters hold the handle down on only one of the hand valves.*
 - b) Turn the pressure relief adjustment screw on the full system relief valve (4) clockwise until the pressure reading on the gauge is either 100 psi above truck system pressure, or if the pressure reaches a certain point and will not go any higher, set the adjustment screw 1/2 turn past that point.
 - c) Release the handle on the hand valve.
9. Turn the truck's engine off and release all hydraulic pressure from the system.
10. Remove the hydraulic pressure gauge from the "G" port of the diverter valve and reinstall the plug.
11. Install the 3000 psi hydraulic pressure gauge with the necessary adapter in the hydraulic line connected to the "IN" port of the hand valve as shown in figure I-5. *If installing dual lifters, install the hydraulic gauge at either one of the hand valves.*

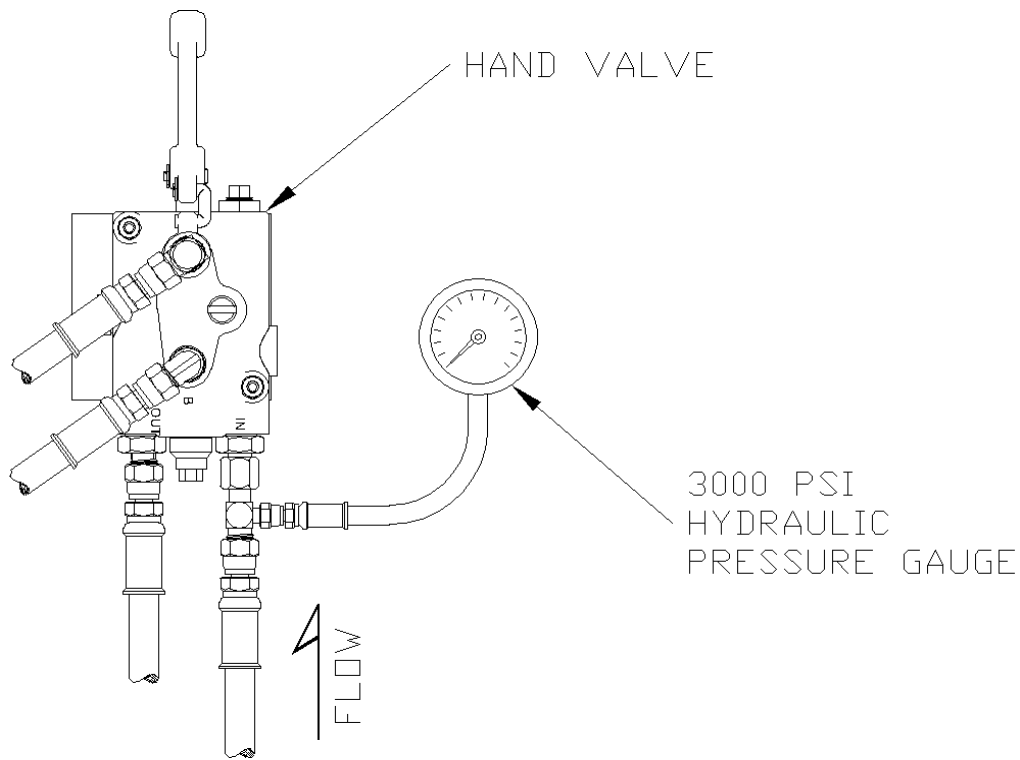


figure I-5

12. Start the truck's engine and engage the hydraulic system.

13. Setting the diverter valve lifter circuit relief valve:

- a) Have an assistant hold the handle on the hand valve (2) (*figure I-4*) (*with pressure gauge installed at the "IN" port*) in the "retract" position to show pressure on the gauge.
- b) Turn the pressure relief adjusting screw on the lifter circuit relief valve (3) counter-clockwise until the pressure reading on the gauge is either 100 psi less than truck system pressure or 2300 psi, which ever is the lowest.
- c) Release the handle on the hand valve.

14. Setting the hand valve(s) relief valve:

- a) Hold the handle on the hand valve (2) (*figure I-4*) (*with pressure gauge installed at the “IN” port*) in the “retract” position to show pressure on the gauge.
- b) Turn the pressure relief adjusting screw on the hand valve relief valve (5) counter-clockwise until the pressure reading on the gauge is either 200 psi less than truck system pressure or 1800 psi, which ever is the lowest.
- c) Release the handle on the hand valve.
- d) Turn the truck’s engine off and release all hydraulic pressure from the system.
- e) Remove the hydraulic pressure gauge from the hydraulic line connected to the “IN” port of the hand valve.
- f) *For dual lifters, install the hydraulic pressure gauge in the “IN” port of the other hand valve as shown in figure I-5, start the truck’s engine, engage the hydraulic system, and repeat step 13.*

15. The hydraulic circuit pressures are now set for optimum performance.

16. Reinstall the cap nut(s) (8) (*figure I-4*) on the hand valve(s) relief valve (5) to secure the correct pressure setting(s).

17. Tighten the lock nut (7) (*figure I-4*) on the full system relief valve (4) to secure the correct pressure setting.

18. Tighten the lock nut (6) (*figure I-4*) on the lifter circuit relief valve (3) to secure the correct pressure setting.

VI. Final operation and mounting:

1. Start the truck’s engine and engage the hydraulic system.
2. Operate the lifter(s) and bleed all air from the hydraulic system.
3. Place a cart on each lifter and operate to make sure there are no clearance problems and that the lifter engages the cart properly. Make any adjustments to the mounting position of the lifter(s) to ensure correct operation.
4. After locating an acceptable mounting position, complete the welding of the lifter(s) to the truck.

OPERATION INSTRUCTIONS (WI-0138-B)

Bayne **THINLINE**[®] Premium Lift Systems

The Bayne **THINLINE**[®] Premium Lift System is a high quality durable dumper built to meet industry requirements. To insure the safety of all operators of this equipment, please read this manual carefully before operating the dumper. *FAILURE TO COMPLY WITH INSTRUCTIONS COULD RESULT IN PERSONAL INJURY AND/OR PROPERTY DAMAGE.*

The operating stages (*figure O-1*) in the cycle of the dumper are as follows:

- 1) **START** - The container to be dumped is placed on the lift saddle.
- 2) **DUMP** - The hydraulic cylinder extends to dump the contents of the container into the hopper. During this cycle, the lower rotating hook automatically “locks” the container to the lifter.
- 3) **RETRACT** - The hydraulic cylinder retracts to return the container to the start position. The lower rotating hook automatically retracts to “unlock” the container from the dumper.

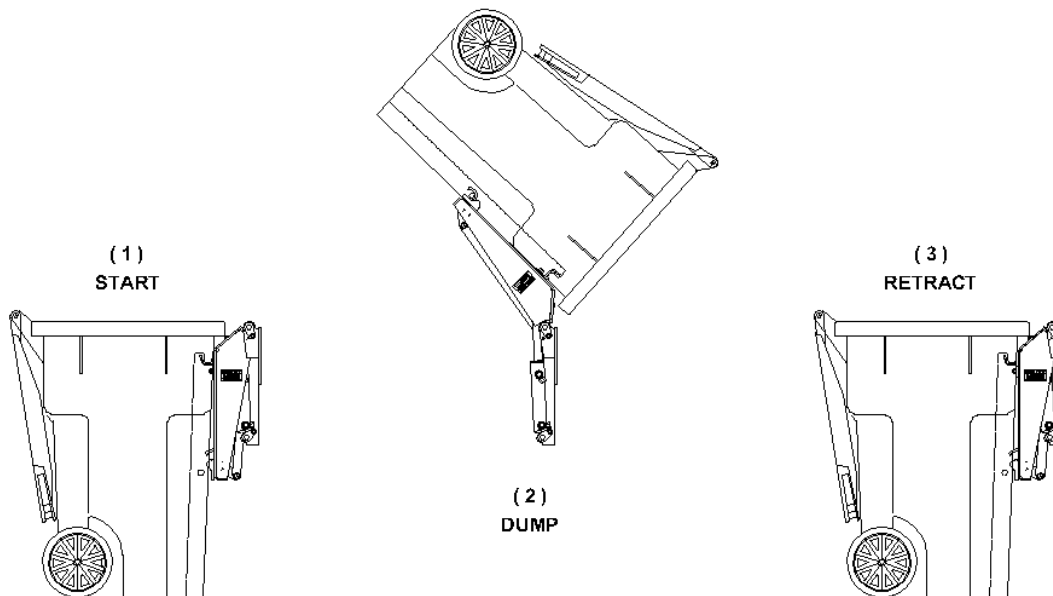


figure O-1

Warning: Exceeding the recommended cycle time on any dumper will void the manufacturer’s warranty

The rotational motions of the dumper are controlled with the use of a hand valve. Moving the handle on the hand valve in one direction will cause the dumper to perform the “dump” stage (*figure O-1*). Moving the handle in the opposite direction will cause the dumper to perform the retract stage.

LOWER HOOK ADJUSTMENT

The lower hook is equipped with two settings that must be properly adjusted to accommodate the carts being lifted. Check the distance (A) (figure O-2) between the upper bar and the lower bar on the cart. If this dimension is between **15" to 15-1/2"**, leave the lower hook attachment in the lower setting. If this dimension is between **14-1/2" to 15"**, move the lower hook attachment to the upper setting.

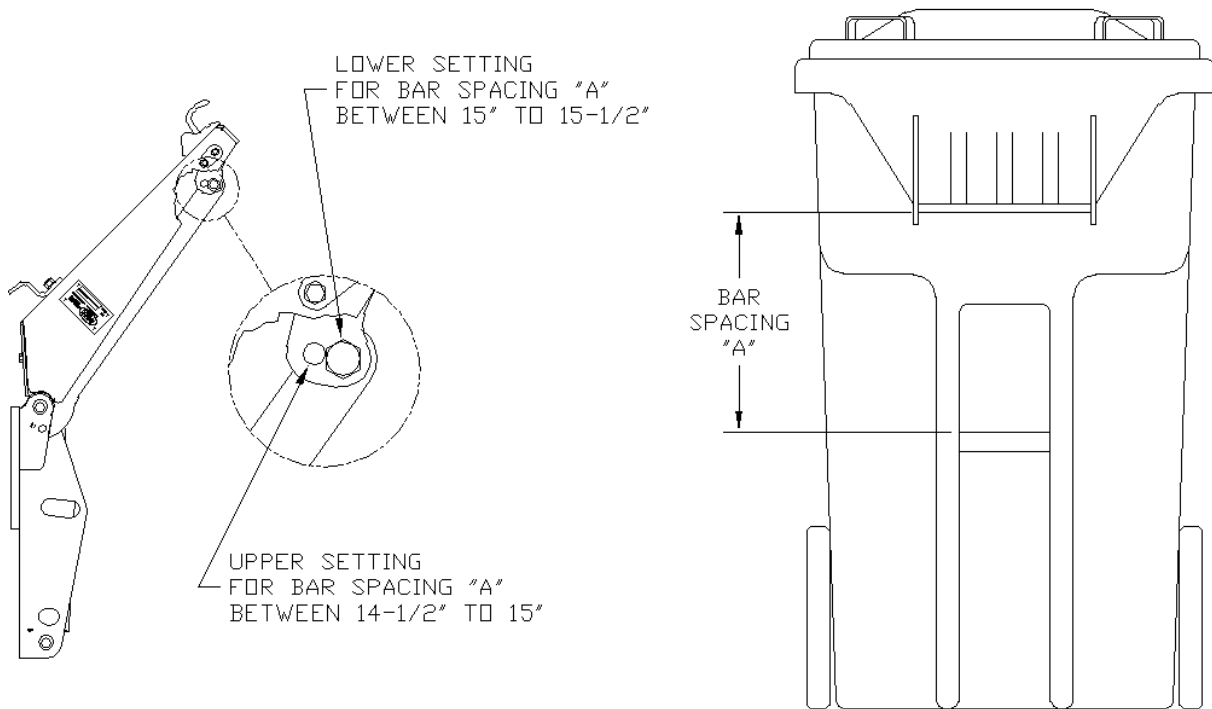


figure O-2

CAUTION: *It is the responsibility of the owner / operator of this equipment to adjust these dimensions to be compatible with his specific application. If the bar spacing is not within either of the specified ranges, please contact us on available options for non-standard carts.*

6091/6092-0700 DIVERTER VALVE
OPERATION AND INSTALLATION INFORMATION
(WI-0026)

Bayne *THINLINE*[®] Premium Lift Systems

The Bayne diverter valve establishes priority flow to the lifter circuit “P1” and “P2” ports and bypasses oil to the “OUT” port, which typically supplies flow to the remainder of the truck’s hydraulic circuit. This bypass occurs only after the lifter circuit is satisfied. The priority flow is controlled by the flow regulator cartridge (FR1) (and FR2 in dual applications) in combination with the differential pressure sensing valve (DPS). This allows the valve to maintain constant flow regardless of changes in load pressure or volume flow rate. Since both the lifter circuit and bypass flow can be utilized in the operation of the truck regardless of which pressure is greater, a single pump can be used to supply two circuits or operations.

The lifter circuit flow is regulated and maintained by the flow regulator cartridge (FR1) (and FR2 in dual applications). The differential pressure sensing valve (DPS), rated for 75 gpm of flow and 3000 psi of pressure, is operated by an internal spring and dampening orifice (OR) which establishes a pressure drop across the block sufficient to ensure the correct operation of the flow regulator (FR1). For a dual diverter valve, a second flow regulator cartridge (FR2) is installed in the “FR2” cavity and a shuttle valve (DSV) is installed in place of the SAE plug in the “DSV” cavity. Once the pressure drop is established, a precision metered flow is provided to the tipper circuit(s) with additional flow being bypassed to the “OUT” port.

The operation of the diverter valve does not require the use of a tank line to be run to the “T” port. However, the efficiency of the block will be significantly increased if a tank line is installed. The logic circuit of the block will manage the flow of oil returning from the tipper circuit to ensure optimum performance. This is primarily controlled with the sequence valve (PSV) which is factory set and should not be adjusted. All oil returning from the tipper circuit will normally be regenerated into the outgoing flow to ensure that the downstream functions are not slowed in any way. When the downstream backpressure rises to a predetermined pressure, the block will redirect the flow to the “T” port to increase the overall efficiency of the block and reduce the pressure drop through the block. If the “T” port is connected to a tank line, the oil will be dumped through the block at a lower pressure. This allows downstream functions to operate at the highest possible pressure when pressure is being required. If the “T” port is blocked, the oil will be redirected back into the outgoing flow through the check valve (CV).

A relief circuit for the tipper function is controlled by a relief valve (RV), which is preset to 2300 psi. This can be adjusted to limit pressure to the tipper(s). This relief valve is more efficient than the relief in the hand valve and will operate with less noise. It is recommended that it be adjusted to relieve before the hand valve relief. It may also be used to limit the weight the lifter can dump. This may be beneficial in avoiding damage to cans resulting from overloading. This should be the only adjustment that the block may require. Any other adjustments should only be made after close consultation with Bayne’s Engineering Department to ensure proper operation.

POSSIBLE PROBLEMS

1. The most common cause of valve failure is dirty oil. If debris becomes lodged in the cartridge valves they will malfunction. Recommended filtration level is between 15 and 25 microns. Many systems filter the oil on the return side. This does not guarantee clean oil going into the system. It is important to ensure that the tank vent filtration element is properly maintained as well. Very small contaminants may not cause the valve to stop functioning, but can cause “stiction” in the cartridges between the body and the moving spool. This can cause improper operation. A slow moving tipper is most likely the result of contamination in the flow regulator cartridge. A pulsating noise may be the result of contamination in the differential pressure sensing valve causing it to stick. If any valve malfunctions, remove and thoroughly clean the valve, being extremely careful not to score or abrade the “o” ring seals or moving parts of the valve. Be sure that the spool moves freely in the valve body.
2. The flow regulator cartridges (FR1 and FR2) are designed to operate at a designated pressure of 80 psi. This means that in order for the valve to function properly, a minimum of 80 psi is required from the supply line through the “IN” port of the valve. This can present a problem on trucks with a dry valve pump system. Normally in the dry (off) mode of the pump, a flow of approximately 2 gpm at 20 psi is required to circulate through the open center system of the truck. This is for pump lubrication in the off mode. When the diverter valve is placed in the main pressure line of the truck, a blockage occurs because of the differential pressure sensing valve needing 80 psi to initially open and allow the flow regulators function. The path of the lubrication oil is therefore stopped because the valve does not open. When the oil is blocked, the pump will rotate and cavitate in the lubricating oil, causing heat to build up over an extended period of time, possibly leading to premature pump failure. To prevent this problem from occurring, a “bleed line” circuit needs be installed on the truck to allow passage of the lubricating oil back to tank.
3. On front load residential truck applications, several considerations need to be noted. The Bayne hand valve is an open center valve that allows for the lifter circuit to maintain flow through the hand valve and back to the diverter valve when the lifter is not being operated. If flow is not maintained through the hand valve, the oil will constantly be relieving over the lifter circuit relief valve (RV) in the diverter valve, which can cause an increase in operating temperature. Certain front load box designs allow for the hand valve to be located on the arms of the truck which keeps the hand valve in the lifter circuit at all times to maintain flow. Most problems occur with applications where the hand valve is located on the box itself. In this situation, when the operator disconnects the hydraulic lines to the box, a blocked condition occurs in the lifter circuit. To prevent this problem, the pump must be turned off prior to disconnecting the box hydraulic lines. Once the lines have been disconnected from the box, it is necessary to connect the two lines for the hand valve to each other to functionally complete the lifter circuit. It is recommended that male and female quick disconnects be used opposite each other on the truck to provide an uninterrupted circuit. Once the lines have been connected and the circuit continued, the pump could then be turned on to continue operations.

MAINTENANCE INSTRUCTIONS (WI-0141-A)

Bayne THINLINE[®] Premium Lift Systems

NOTE:

The most common cause of hydraulic component failure is contamination of the hydraulic fluid (water, chips, dirt, etc.) The Bayne *THINLINE*[®] Lift System comes clean from the factory. If removed, be sure the hoses, cylinder and fittings are clean before re-installing them on the unit.

Inspect your dumper on a weekly basis for loose bolts, fittings, oil leaks, etc. Tighten loose hardware as necessary and replace necessary seals to repair oil leaks.

TROUBLE-SHOOTING CHART (WI-0313-B)

<i>SYMPTOM</i>	<i>POSSIBLE CAUSES</i>	<i>CORRECTIVE ACTION</i>
Lifter operation very erratic.	<ol style="list-style-type: none"> 1. Air trapped in system. 2. Low oil level. 	<ol style="list-style-type: none"> 1. Bleed all air from lifter hydraulic system. 2. Add oil to system.
Cart lifter will not pick up carts.	<ol style="list-style-type: none"> 1. Cart overweight. 2. Lifter system hydraulic pressure too low. 3. Truck system hydraulic pressure too low. 4. Faulty hand valve. 	<ol style="list-style-type: none"> 1. Reduce loaded weight of cart. 2. Check and adjust pressure relief on hand valve and lifter circuit relief in diverter valve. 3. Check and adjust pressure on truck system relief and full system relief in diverter valve. 4. Replace hand valve.
Lifter operates extremely slow.	<ol style="list-style-type: none"> 1. Engine idle too low. 2. Faulty hand valve. 3. Faulty truck hydraulic pump. 4. Trash in diverter valve. 5. Orifice in diverter valve is too small. 	<ol style="list-style-type: none"> 1. Adjust engine idle. 2. Replace hand valve. 3. Consult truck maintenance manual. 4. Remove orifice from diverter valve body and clean thoroughly. 5. Remove orifice from diverter valve body and increase diameter.
Lifter operates under recommended cycle time.	<ol style="list-style-type: none"> 1. Engine idle too high. 2. Orifice in diverter valve is too large. 	<ol style="list-style-type: none"> 1. Adjust engine idle. 2. Remove orifice from diverter valve body and replace with a smaller diameter.

TROUBLE-SHOOTING CHART (WI-0313-B)

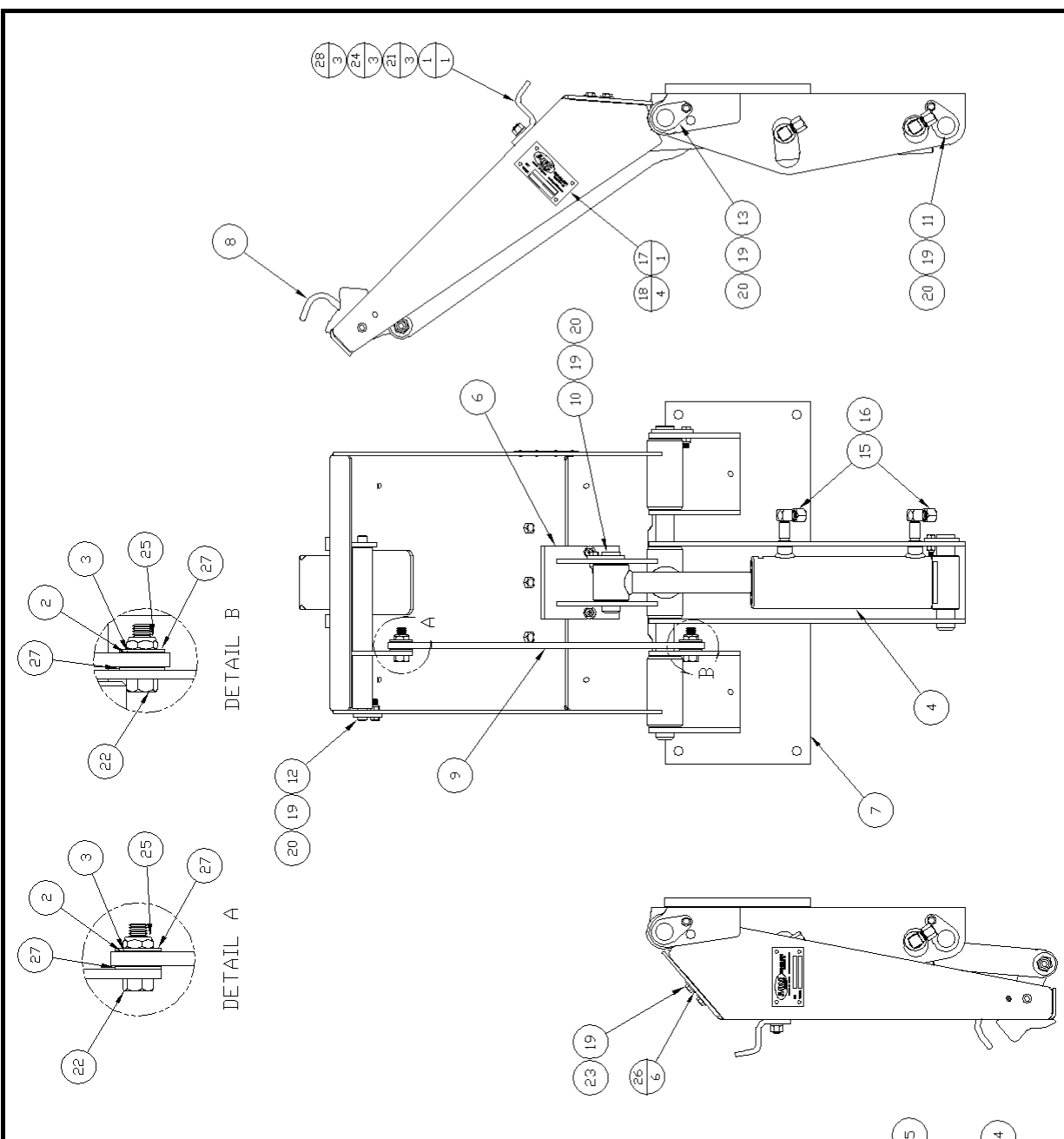
<i>SYMPTOM</i>	<i>POSSIBLE CAUSES</i>	<i>CORRECTIVE ACTION</i>
Hydraulic components down stream of diverter valve not operating or operating extremely slow.	<ol style="list-style-type: none"> 1. Truck system hydraulic pressure too low. 2. Faulty full system relief valve cartridge in diverter valve. 3. Faulty truck system relief valve. 4. System flow is being restricted. 5. Trash in flow regulator cartridge. 	<ol style="list-style-type: none"> 1. Check and adjust pressure on truck system relief and full system relief in diverter valve. 2. Replace full system relief valve cartridge in diverter valve. 3. Consult truck maintenance manual. 4. Ensure there is proper flow throughout the hydraulic system. Remove any restrictions. 5. Remove flow regulator cartridge from diverter valve body and clean thoroughly.
Diverter valve leaking oil around cartridges.	<ol style="list-style-type: none"> 1. Worn or damaged seals on cartridge valves. 	<ol style="list-style-type: none"> 1. Install diverter valve seal kit.
Hand valve lever sticks in up or down position.	<ol style="list-style-type: none"> 1. Worn or broken spring center device. 2. Trash in or around hand valve shift spool. 3. Pressure (IN) and tank (OUT) ports are hooked up backwards. 	<ol style="list-style-type: none"> 1. Install spring center kit. 2. Disassemble and clean spool and housing. 3. Make sure all hoses are plumbed according to the hydraulic schematic.
Hand valve leaking oil around shift spool.	<ol style="list-style-type: none"> 1. Worn or damaged seals. 2. Worn spool. 	<ol style="list-style-type: none"> 1. Install hand valve seal kit. 2. Replace hand valve.

TROUBLE-SHOOTING CHART (WI-0313-B)

<i>SYMPTOM</i>	<i>POSSIBLE CAUSES</i>	<i>CORRECTIVE ACTION</i>
Cylinder leaking oil around rod.	1. Worn cylinder rod seals.	1. Install cylinder seal kit.
Lower hook frequently breaking or bending.	1. Lower hook not adjusted properly. 2. Bars on carts are not standard spread dimensions.	1. Adjust lower hook per Operation Instructions of this manual. 2. Replace cart or install new bars.
Lifter loses cart when dumping.	1. Lower hook not adjusted properly. 2. Bars on carts are not standard spread dimensions. 3. Lift bars on cart are bent or spread apart.	1. Adjust lower hook per Operation Instructions of this manual. 2. Replace cart or install new bars. 3. Replace cart or install new bars.
Lift bars on cart are being spread apart or damaged.	1. Lower hook not adjusted properly. 2. Bars on carts are not standard spread dimensions.	1. Adjust lower hook per Operation Instructions of this manual. 2. Replace cart or install new bars.

APPENDIX A
Assembly drawings and part numbers

ITEM	PART NO.	DESCRIPTION	QTY
1	2000-3900	SADDLE	1
2	2603-1401	LINK BUSHING	2
3	2603-1402	LINK SLEEVE	2
4	3020-1001	CYLINDER ASSEMBLY YELLOW	1
5	4900-0001	CYL LIFT FACE PLATE WELD	1
6	4900-0007	CYLINDER CONNECTOR WELDMENT	1
7	4900-0010	CYL. LIFT MAINFRAME WELDMENT	1
8	4900-0015	CYL. LIFT HOOK WELDMENT	1
9	4900-0019	CYL. LIFT HOOK DRIVE	1
10	4900-0023	UPPER CYL. PIN WELDMENT	1
11	4900-0025	LOWER CYL. PIN WELDMENT	1
12	4900-0027	HOOK PIN WELDMENT	1
13	4900-0036	FACE PLATE PIN WELDMENT	1
14	5000-0005	CAUTION/NOTICE LABEL	1
15	6222-0606	90° L. ADAP. (#6 JIC x #6 SAE)	2
16	6248-0006	#6 JIC CAP NUT	2
17	7500-0070	MODEL/SERIAL NAME PLATE	1
18	7500-0071	DRIVE SCREW	4
19	8901-0400	1/4-20 SELF-LOCKING NUT	7
20	9001-0408	1/4-20 x 1" HH.C.S.	4
21	9001-0608	3/8-16 x 1" HH.C.S.	3
22	9001-0812	1/2-13 x 1 1/2" HH.C.S.	2
23	9021-0408	1/4-20 x 1" HH.C.S. (GRADE 2)	3
24	9401-0600	3/8-16 HEX NUT	3
25	9521-0800	1/2-13 SELF-LOCKING JAM NUT	2
26	9600-0400	1/4" FLAT WASHER	6
27	9600-0700	7/16" FLAT WASHER	4
28	9700-0600	3/8" LOCK WASHER	3



N	1999-0001	REV. 5	06/04/07	CIT	CBS4
N	1999-0001	REV. 4	06/04/07	CIT	CBS4
N	1999-0001	REV. 3	06/04/07	CIT	CBS4
N	1999-0001	REV. 2	06/04/07	CIT	CBS4
N	1999-0001	REV. 1	06/04/07	CIT	CBS4

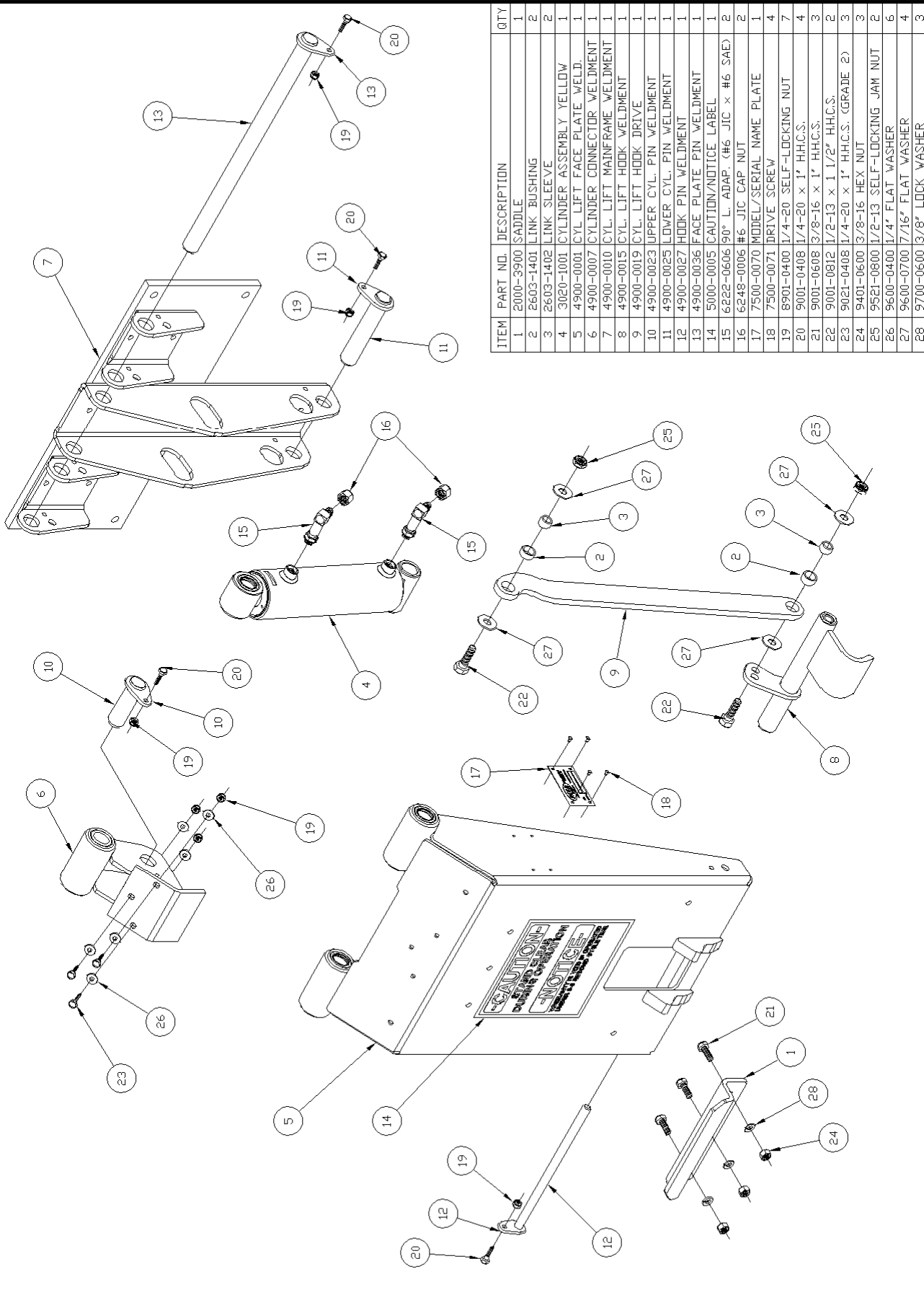
REVISED	4900-0042	PICTORIALLY	04/20/06	DES	CIT	CL463
REVISED	4900-0042	PICTORIALLY	04/20/06	DES	CIT	CL463
REVISED	4900-0042	PICTORIALLY	04/20/06	DES	CIT	CL463
REVISED	4900-0042	PICTORIALLY	04/20/06	DES	CIT	CL463
REVISED	4900-0042	PICTORIALLY	04/20/06	DES	CIT	CL463

SCALE	1=4	SHEET	1	OF	2
DATE	12/21/00	CHKD BY	TBR	DATE	12/28/01
TITLE	TASKMASTER ASSEMBLY				
DWG. NO.	1999-9000				

CONFIDENTIAL

This drawing is private and confidential communication and the property of BAYNE MACHINE WORKS, INC., Greenville, S.C. It MUST NOT be copied or lent without consent of BAYNE MACHINE WORKS, INC., and must be promptly returned with tender and/or completion of order to the purchasing department.

BAYNE MACHINE WORKS, INC.
 101 FRANCES IF NOT NOTED:
 0.000 40.005 - 0.000 40.015
 910 POKA BROADS ROAD - GREENVILLE, SC 29605 - 864.255.3577



ITEM	PART NO.	DESCRIPTION	QTY
1	2000-3900	SADDLE	1
2	2603-1401	LINK BUSHING	2
3	2603-1402	LINK SLEEVE	2
4	3020-1001	CYLINDER ASSEMBLY YELLOW	1
5	4900-0001	CYL LIFT FACE PLATE WELD.	1
6	4900-0007	CYLINDER CONNECTOR WELDMENT	1
7	4900-0010	CYL. LIFT MAINFRAME WELDMENT	1
8	4900-0015	CYL. LIFT HOOK WELDMENT	1
9	4900-0019	CYL. LIFT HOOK DRIVE	1
10	4900-0023	UPPER CYL. PIN WELDMENT	1
11	4900-0025	LOWER CYL. PIN WELDMENT	1
12	4900-0027	HOOK PIN WELDMENT	1
13	4900-0036	FACE PLATE PIN WELDMENT	1
14	5000-0005	CAUTION/NOTICE LABEL	1
15	6222-0606	90° L. ADAP. (#6 JIC x #6 SAE)	2
16	6248-0006	#6 JIC CAP NUT	2
17	7500-0070	MODEL/SERIAL NAME PLATE	1
18	7500-0071	DRIVE SCREW	4
19	8901-0400	1/4-20 SELF-LOCKING NUT	7
20	9001-0408	1/4-20 x 1" H.H.C.S.	4
21	9001-0608	3/8-16 x 1" H.H.C.S.	2
22	9001-0812	1/2-13 x 1 1/2" H.H.C.S.	2
23	9021-0408	1/4-20 x 1" H.H.C.S. (GRADE 2)	3
24	9401-0600	3/8-16 HEX NUT	3
25	9521-0800	1/2-13 SELF-LOCKING JAM NUT	2
26	9600-0400	1/4" FLAT WASHER	6
27	9600-0700	7/16" FLAT WASHER	4
28	9700-0600	3/8" LOCK WASHER	3

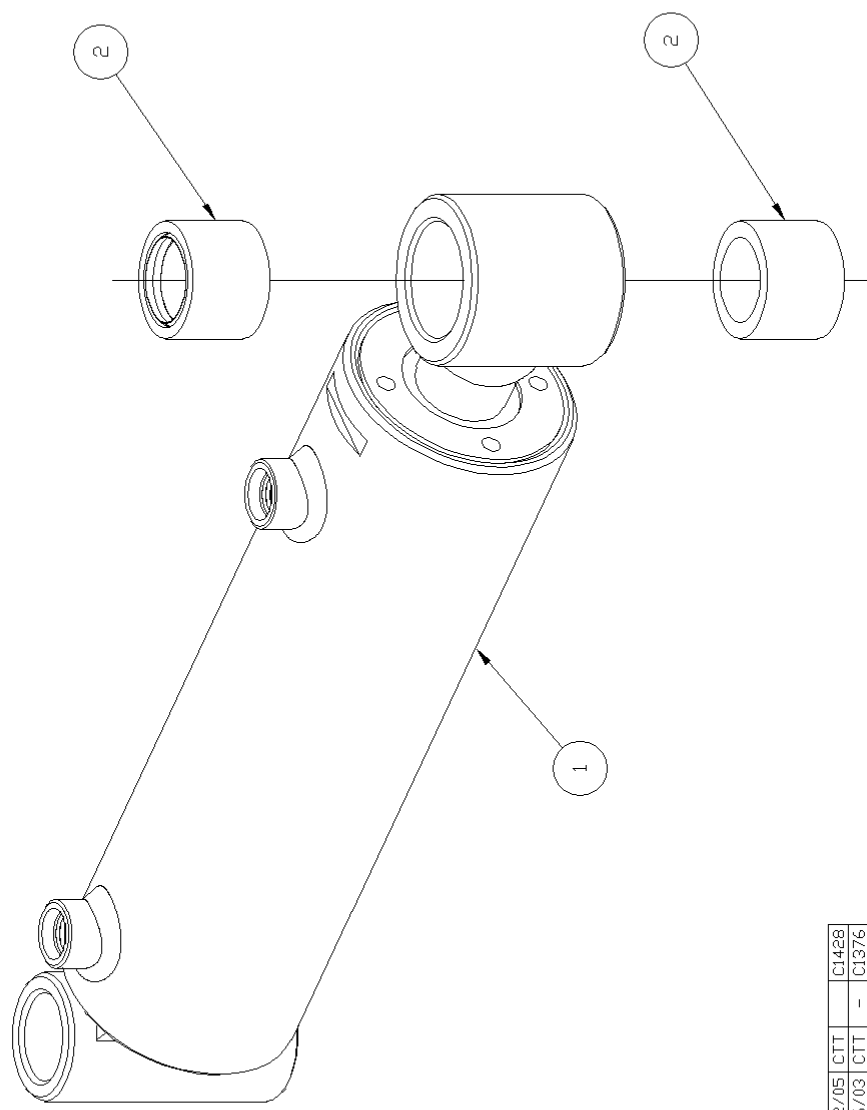
CONFIDENTIAL This drawing is private and confidential communication and the property of BAYNE MACHINE WORKS, INC., Greenville, S.C. It MUST NOT be copied or lent without consent of BAYNE MACHINE WORKS, INC., and must be promptly returned with tender and/or completion of order to the purchasing department.

BAYNE MACHINE WORKS, INC.
 10 FRANCES IF NOT NOTED:
 0.000 40.005 1.000 40.015
 517 POCA STRAUBS ROAD - GREENVILLE, SC 29605 - 864.255.5577 070 21/29 - ANGULAR 40/28

DRAWN BY: CTT DATE: 12/21/00
 CHECKD BY: TBR DATE: 12/28/01
 TITLE: TASKMASTER ASSEMBLY
 SHEET 2 OF 2
 DWS NO: 1999-9000
 REV. 2

ITEM	PART NO.	DESCRIPTION	QTY
1	3020-1000	Ø2.5" BORE x 6" STK. CYLINDER	1
2	2603-1309	Ø1" BUSHING W/SEAL	2

NOTE:
1. PAINT YELLOW.



B	2603-1309	WAS	2603-1306	03/02/05	CIT	-	C1428
A	UPDATED DRAWING			07/16/03	CIT	-	C1376
REV.	BY	DATE	CHK.	BY	E.C.R.		
LET.							

CONFIDENTIAL This drawing is private and confidential communication and the property of BAYNE MACHINE WORKS, INC., Greenville, S.C. It MUST NOT be copied or lent without consent of BAYNE MACHINE WORKS, INC., and must be promptly returned with tender and/or completion of order to the purchasing department.

BAYNE MACHINE WORKS, INC.
910 FORK SHOALS ROAD - GREENVILLE, SC 29635 - 864-288-3877

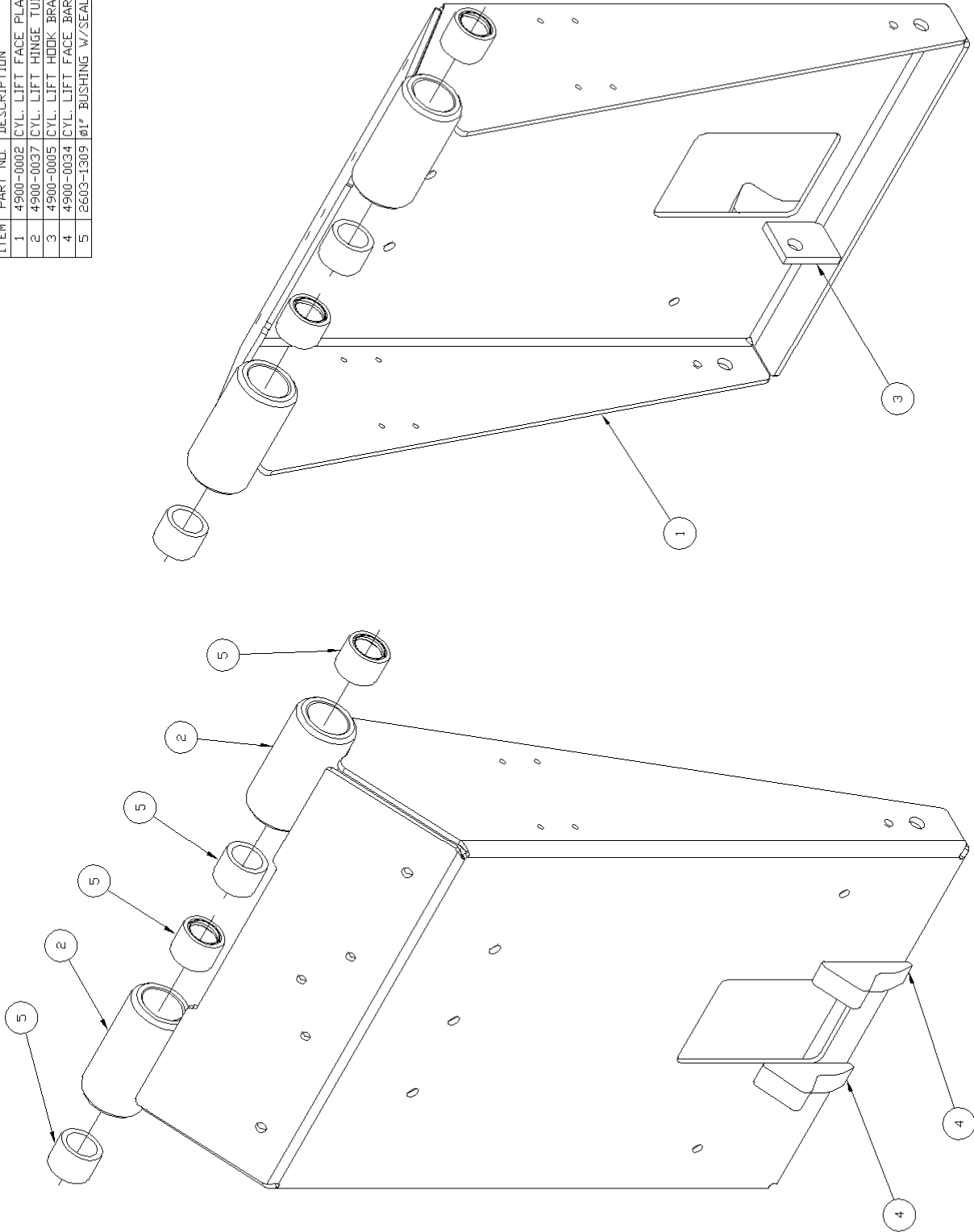
SCALE: 4=5
SHEET 1 OF 1
REV. B

TOLERANCES IF NOT NOTED:
0.000 ±0.005 - 0.00 ±0.015
Ø/Ø ±1/32 - ANGULAR ±0.25

DATE: 01/10/02
CHKD BY: TBR
DRAWN BY: CTT

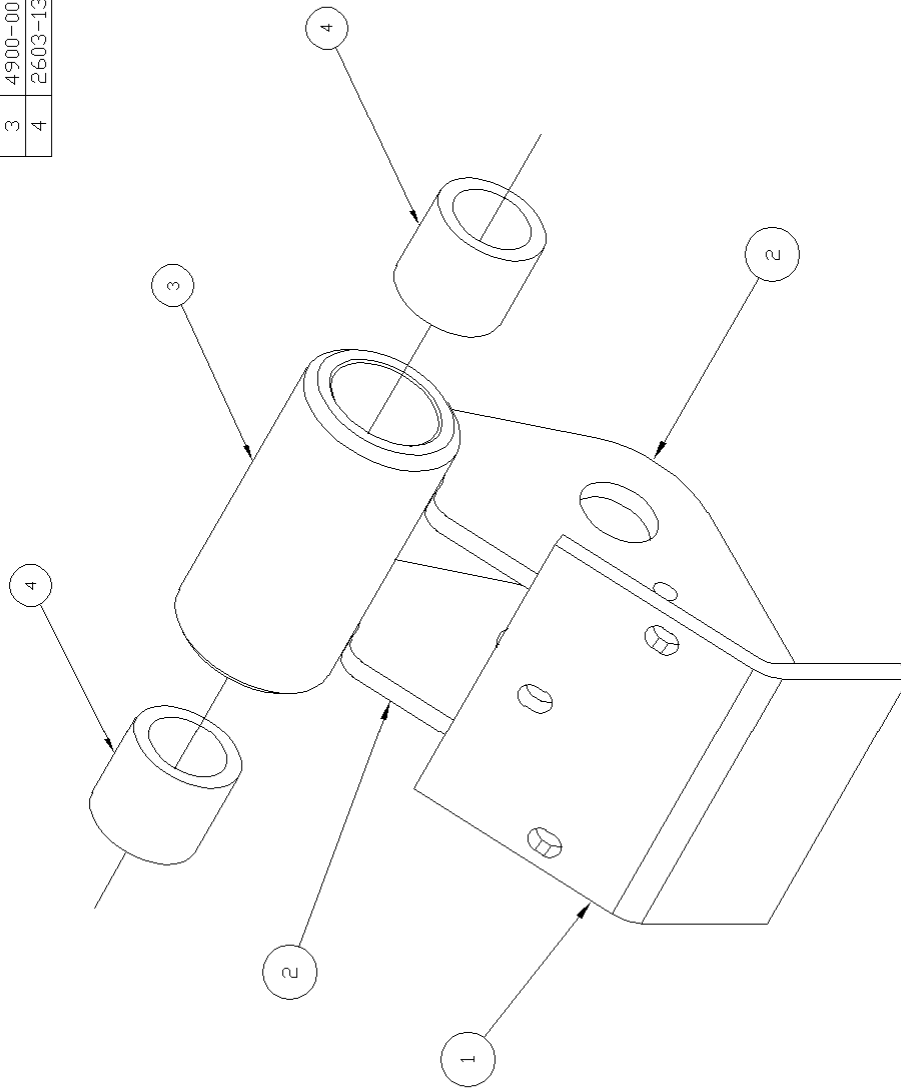
DATE: 01/31/02
CHKD BY: TBR
TITLE: CYLINDER ASSEMBLY YELLOW
DWG. NO.: 3020-1001

ITEM	PART NO.	DESCRIPTION	QTY
1	4900-0002	CYL. LIFT FACE PLATE BLANK	1
2	4900-0037	CYL. LIFT HINGE TUBE	2
3	4900-0005	CYL. LIFT HOOK BRACKET	1
4	4900-0034	CYL. LIFT FACE BAR SLIDE	2
5	2603-1309	Ø1" BUSHING W/SEAL	4



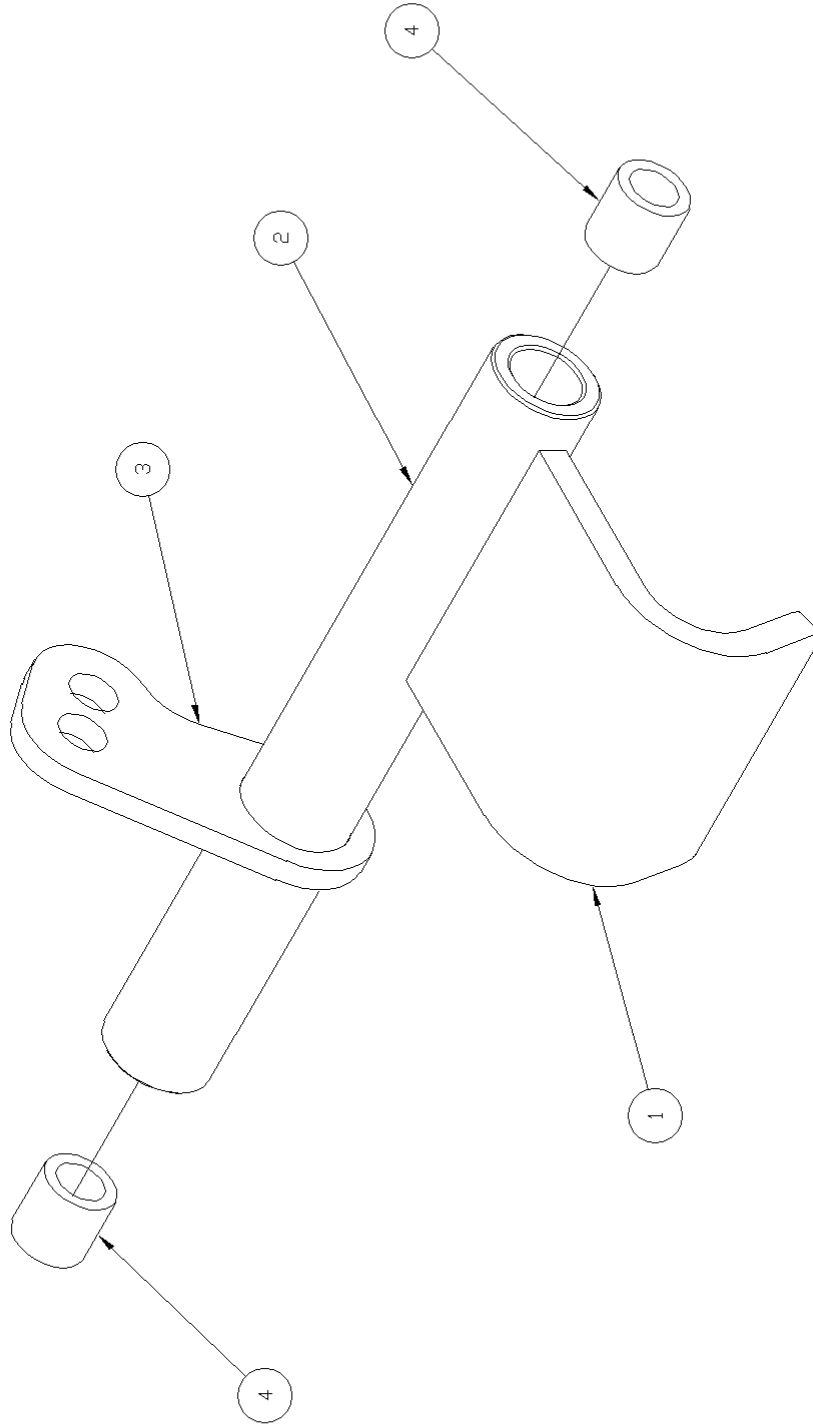
CONFIDENTIAL		This drawing is private and confidential communication and the property of BAYNE MACHINE WORKS, INC., Greenville, S.C. It MUST NOT be copied or lent without consent of BAYNE MACHINE WORKS, INC., and must be promptly returned with tender and/or completion of order to the purchasing department.		SCALE:	SHEET	OF	REV.
BAYNE MACHINE WORKS, INC. 914 POCA STRAUBS ROAD - GREENVILLE, SC 29605 - 884-2553577		TOL FRANCES IF NOT NOTED: 0.004 ±0.005 - 0.004 ±0.015 0.00 ±0.004 - 0.00 ±0.008		1=2	2	2	F
DRAWN BY: CTT		DATE: 12/08/00		TITLE: CYLINDER LIFT FACEPLATE WELDMENT		DWS NO: 4900-0001	
CHKD BY: ANR		DATE: 01/30/01		TITLE: CYLINDER LIFT FACEPLATE WELDMENT		DWS NO: 4900-0001	

ITEM	PART NO.	DESCRIPTION	QTY
1	4900-0008	CYL. CONNECTOR FORCE PLATE	1
2	4900-0009	CYL. CONNECTOR SIDE PLATE	2
3	4900-0038	CYL. LIFT HINGE TUBE	1
4	2603-1310	CYLINDER CONNECTOR BUSHING	2



CONFIDENTIAL		This drawing is private and confidential communication and the property of BAYNE MACHINE WORKS, INC., Greenville, S.C. It MUST NOT be copied or lent without consent of BAYNE MACHINE WORKS, INC., and must be promptly returned with tender and/or completion of order to the purchasing department.		SCALE:	SHEET	OF	REV.
BAYNE MACHINE WORKS, INC. 910 FORK SHOALS ROAD - GREENVILLE, SC 29605 - 864-288-3877		DATE:	CHK'D BY:	4=5	2	2	F
TOLERANCES IF NOT NOTED: 0.000 ±0.005 - 0.00 ±0.015 Ø/Ø ±1/32 - ANGULAR ±0.25		DATE:	CHK'D BY:	TITLE:		DWG. NO.:	
		12/20/00	ANR	CYLINDER CONNECTOR WELDMENT		4900-0007	

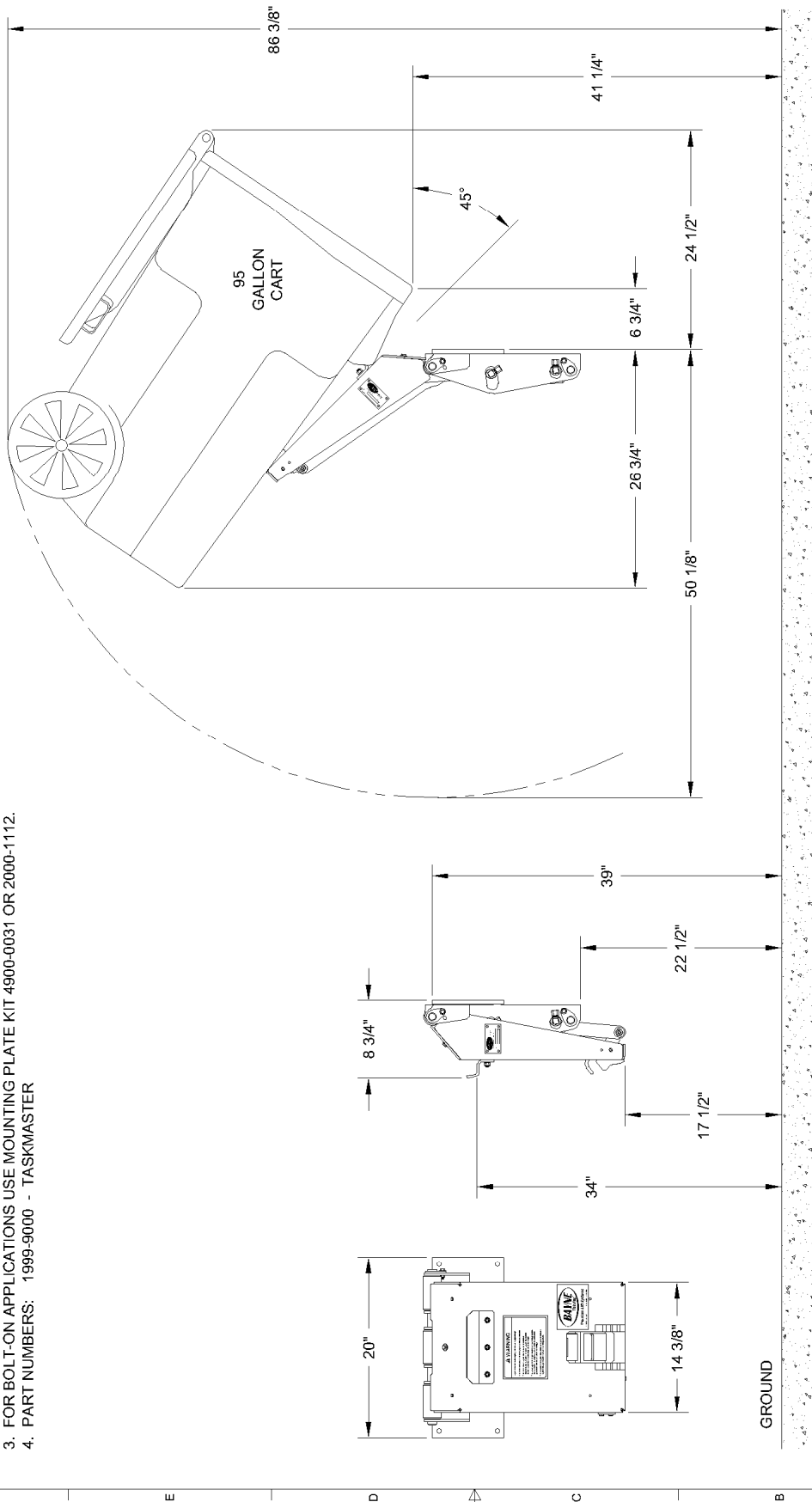
ITEM	PART NO.	DESCRIPTION	QTY
1	73-063184	5/16" x 3" H.R.S. FLAT BAR	.018
2	74-010011	1.125" OD x .75" ID D.O.M. TUBING	.037
3	4900-0018	CYL. LIFT HOOK LINK	1
4	2603-1410	HOOK BUSHING	2



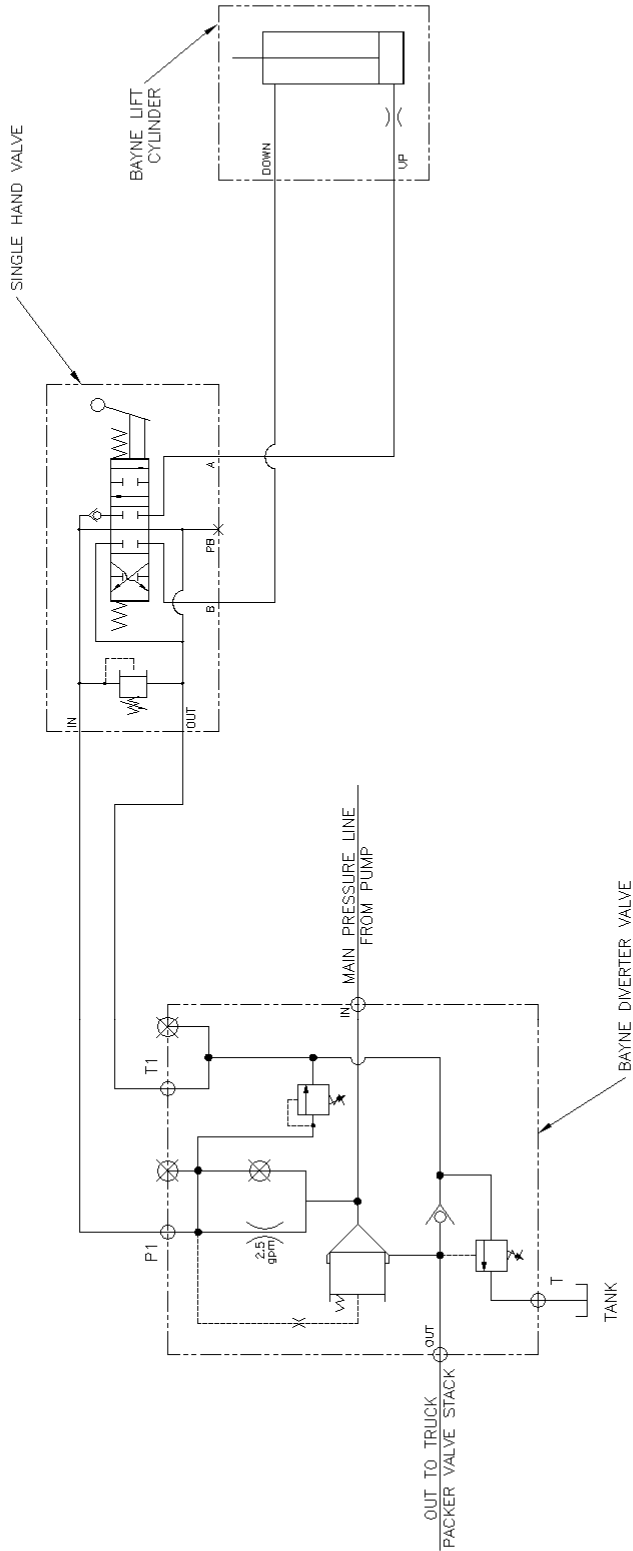
CONFIDENTIAL		This drawing is private and confidential communication and the property of BAYNE MACHINE WORKS, INC., Greenville, S.C. It MUST NOT be copied or lent without consent of BAYNE MACHINE WORKS, INC., and must be promptly returned with tender and/or completion of order to the purchasing department.		SCALE:	SHEET	OF	REV.
BAYNE MACHINE WORKS, INC. 910 FORK SHOALS ROAD - GREENVILLE, SC 29635 - 864-288-3877		CHK'D BY:	DATE:	1=1	3	3	C
TOLERANCES IF NOT NOTED: 0.000 ±0.005 - 0.00 ±0.015 Ø/Ø ±1/32 - ANGULAR ±0.25		DRAWN BY:	DATE:	TITLE:		DWG. NO.:	
		C.T.T.	12/20/00	CYLINDER LIFT HOOK WELDMENT		4900-0015	
		ANR	11/26/01				

NOTE:

1. DIMENSIONS ACCOMMODATE ANSI Z245.60-2008 TYPE B CONTAINERS (DOMESTIC 2-BAR CARTS), BUT MAY VARY DUE TO CONTAINER SPECIFICATIONS OR APPLICATIONS.
2. ALL DIMENSIONS ARE APPROXIMATE.
3. FOR BOLT-ON APPLICATIONS USE MOUNTING PLATE KIT 4900-0031 OR 2000-1112.
4. PART NUMBERS: 1999-9000 - TASKMASTER

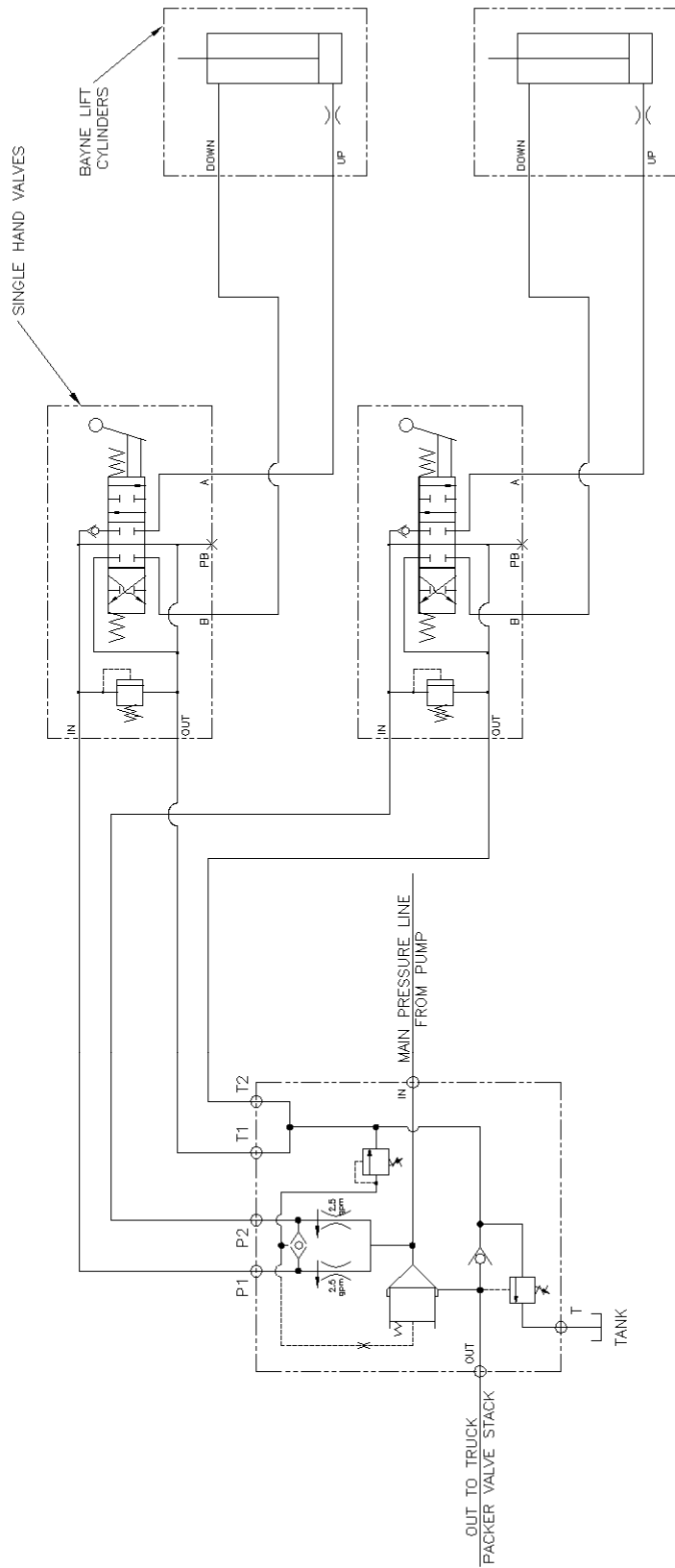


<p>CONFIDENTIAL</p> <p>THE INFORMATION CONTAINED IN THIS DRAWING IS THE SOLE PROPERTY OF BAYNE MACHINE WORKS, INC. AND IS NOT BE COPIED OR USED IN ANY MANNER WITHOUT THE WRITTEN INTEREST OF BAYNE MACHINE WORKS, INC.</p>		<p>UNLESS OTHERWISE SPECIFIED DIMENSIONS ARE IN INCHES</p> <p>FRACTIONS: 1/16, 1/8, 3/16, 1/4, 3/8, 1/2, 5/8, 3/4, 7/8</p> <p>DECIMALS: TWO PLACE DECIMAL 4.015</p> <p>THREE PLACE DECIMAL 4.005</p> <p>ANGLES: UNLESS OTHERWISE SPECIFIED: MACHINED: 40.51 DEG BEND: 11.00 DEG</p>		<p>BAYNE MACHINE WORKS, INC. 910 FORK SHOALS ROAD - GREENVILLE, SC 29605 - 864.288.3977</p>	
<p>TITLE</p> <p>TASKMASTER SPECIFICATIONS</p>		<p>DRAWN BY</p> <p>CTT</p>	<p>DATE</p> <p>10/21/2009</p>	<p>SCALE</p> <p>NONE</p>	<p>SHEET OF</p> <p>1 1</p>
<p>QTY</p> <p>FINISH</p>	<p>WEIGHT</p>	<p>CHECKED BY</p> <p>DATE</p>	<p>DWG NO</p> <p>H5800000</p>	<p>REV</p> <p>-</p>	<p>1</p>



THIS IS A TYPICAL HYDRAULIC SCHEMATIC FOR A SINGLE LIFTER WITHOUT A VERTICAL INSTALLED ON A REAR OR SIDE LOAD REFUSE TRUCK.

CONFIDENTIAL	This drawing is private and confidential communication and the property of BAYNE MACHINE WORKS, INC., Greenville, S.C. It MUST NOT be copied or lent without consent of BAYNE MACHINE WORKS, INC., and must be promptly returned with tender and/or completion of order to the purchasing department.	SCALE:	SHEET	OF	REV.
BAYNE MACHINE WORKS, INC. 910 FORK SHOALS ROAD - GREENVILLE, SC 29605 - 864-288-3877	TOLERANCES IF NOT NOTED: 0.000 ±0.005 - 0.00 ±0.015 Ø/Ø ±1/32 - ANGULAR ±0.25	NTS	1	1	-
DATE: 10/19/04	CHK'D BY: TJT	TITLE: HYDRAULIC SCHEMATIC	DWG. NO.: 6900-0729		



THIS IS A TYPICAL HYDRAULIC SCHEMATIC FOR DUAL LIFTERS WITHOUT VERTICALS INSTALLED ON A REAR OR SIDE LOAD REFUSE TRUCK.

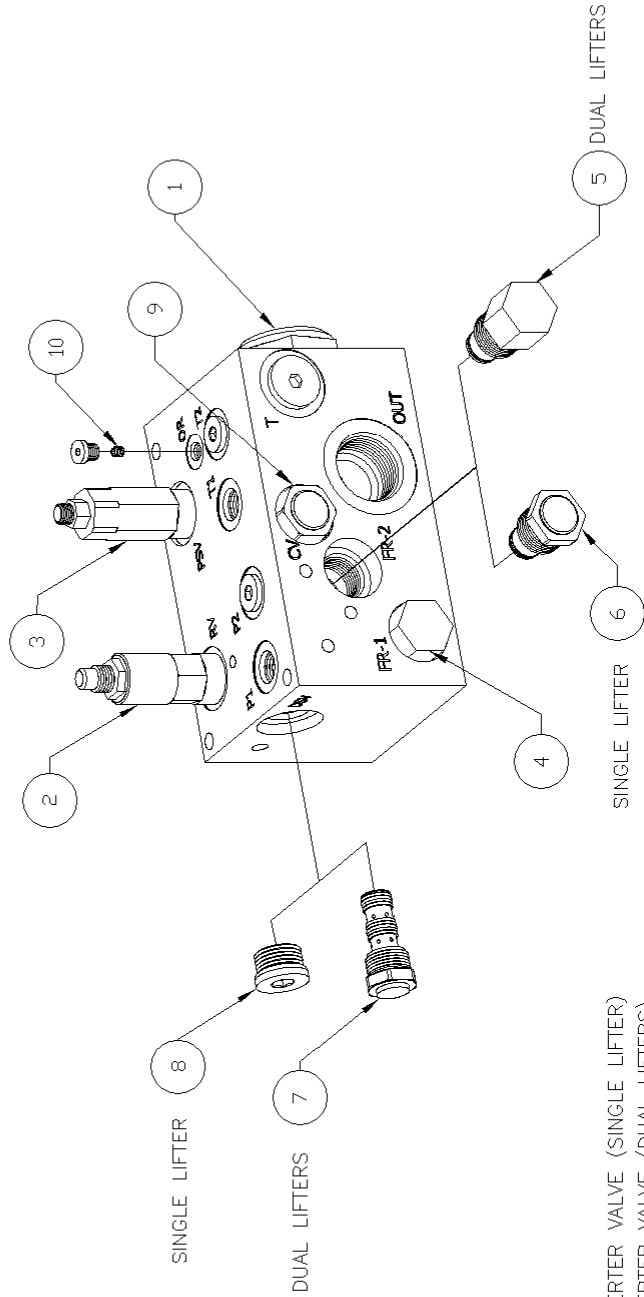
CONFIDENTIAL		This drawing is private and confidential communication and the property of BAYNE MACHINE WORKS, INC., Greenville, S.C. It MUST NOT be copied or lent without consent of BAYNE MACHINE WORKS, INC., and must be promptly returned with tender and/or completion of order to the purchasing department.		SCALE: NTS	SHEET 1 OF 1	REV. -
BAYNE MACHINE WORKS, INC.		DRAWN BY: T J T		DATE: 10/20/04	CHK'D BY:	TITLE: DUAL TASKMASTER HYDRAULIC SCHEMATIC
910 FORK SHOALS ROAD - GREENVILLE, SC 29635 - 864-288-3877		TOLERANCES IF NOT NOTED: 0.000 ±0.005 - 0.00 ±0.015 Ø/Ø ±1/32 - ANGULAR ±0.25		DATE:	DATE:	DWG. NO.: 6900-0730

SERVICE PARTS

ITEM	PORT	PART NO.	DESCRIPTION	SEAL KIT	APPLICATIONS
1	DPS	6091-0716	DIFF. PRESSURE SENSING VALVE	8000-0782	ALL
2	RV	6091-0712	RELIEF VALVE	8000-0784	ALL
3	PSV	6091-0713	PRESSURE SEQUENCE VALVE	8000-0781	ALL
4	FR-1	6091-0710	FLOW REGULATOR		ALL
5	FR-2	6091-0710	FLOW REGULATOR	8000-0784	FOR DUAL LIFTERS
6		6091-0715	CAVITY PLUG	8000-0783	FOR SINGLE LIFTER
7	DSV	6091-0720	SHUTTLE VALVE		FOR DUAL LIFTERS
8		6246-0008	INL. 8 SAE SOCKET HEAD PLUG		FOR SINGLE LIFTER
9	CV	6091-0714	CHECK VALVE	8000-0784	ALL
10	DR	6066-0028	Ø0.038" DRIFICE	-	ALL

NOTE:

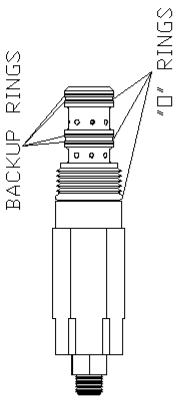
1. MAXIMUM WORKING PRESSURE 3000 PSI
2. MAXIMUM WORKING FLOW 50 GPM
3. TEMPERATURE RANGE = 160° MAXIMUM
4. PORT SIZES
IN & OUT = #16 SAE
T = #10 SAE
T1, T2, P1 & P2 = #6 SAE
5. T2 & P2 ARE PLUGGED USING #6 SAE PLUGS IN SINGLE LIFTER APPLICATIONS



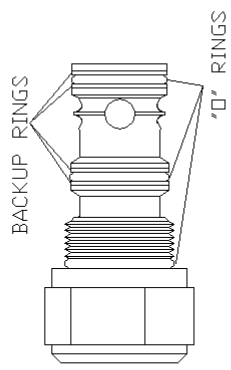
6091-0700 COMPLETE DIVERTER VALVE (SINGLE LIFTER)
 6092-0700 COMPLETE DIVERTER VALVE (DUAL LIFTERS)

CONFIDENTIAL		This drawing is private and confidential communication and the property of BAYNE MACHINE WORKS, INC., Greenville, S.C. It MUST NOT be copied or lent without consent of BAYNE MACHINE WORKS, INC., and must be promptly returned with tender and/or completion of order to the purchasing department.		SCALE:	SHEET	OF	REV.
BAYNE MACHINE WORKS, INC.		DATE:	CHKD BY:	1=2	1	1	A
910 FORK SHOALS ROAD - GREENVILLE, SC 29605 - 864-288-3877		DATE:	CHKD BY:	TITLE: SINGLE/DUAL		DWG. NO.:	
		DATE:	CHKD BY:	DIVERTER VALVE PARTS		M3500005	

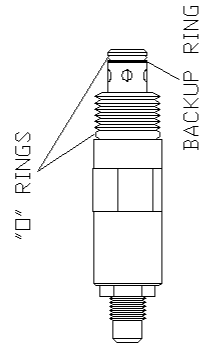
ITEM NO	PART NO.	DESCRIPTION	QTY
1	8000-0781	PRES. SEQUENCE VALVE SEAL KIT	1
2	8000-0782	PRESSURE SENSING VALVE SEAL KIT	1
3	8000-0783	SHUTTLE VALVE SEAL KIT	1
4		RELIEF VALVE SEAL KIT	1
5		FLOW REGULATOR SEAL KIT	1
6	8000-0784	FLOW REG. CAVITY PLUG SEAL KIT	1
7		CHECK VALVE SEAL KIT	1



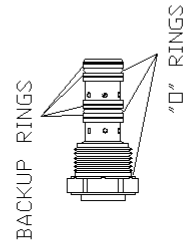
PRESSURE SEQUENCE VALVE SEAL KIT



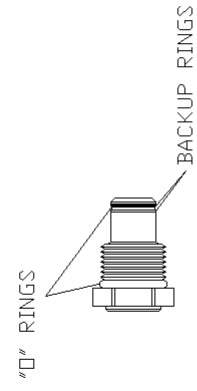
DIFFERENTIAL PRESSURE SENSING VALVE SEAL KIT



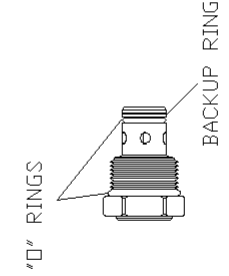
RELIEF VALVE SEAL KIT



SHUTTLE VALVE SEAL KIT



FLOW REGULATOR CAVITY PLUG SEAL KIT



CHECK VALVE SEAL KIT

CONFIDENTIAL This drawing is private and confidential communication and the property of BAYNE MACHINE WORKS, INC., Greenville, S.C. It MUST NOT be copied or lent without consent of BAYNE MACHINE WORKS, INC., and must be promptly returned with tender and/or completion of order to the purchasing department.

BAYNE MACHINE WORKS, INC.
 910 FORK SHOALS ROAD - GREENVILLE, SC 29605 - 864-288-3877

TOLERANCES IF NOT NOTED:
 0.000 \pm 0.005 - 0.00 \pm 0.015
 0.0 \pm 0.005 - 0.00 \pm 0.015
 0.0 \pm 0.005 - 0.00 \pm 0.015
 0.0 \pm 0.005 - 0.00 \pm 0.015

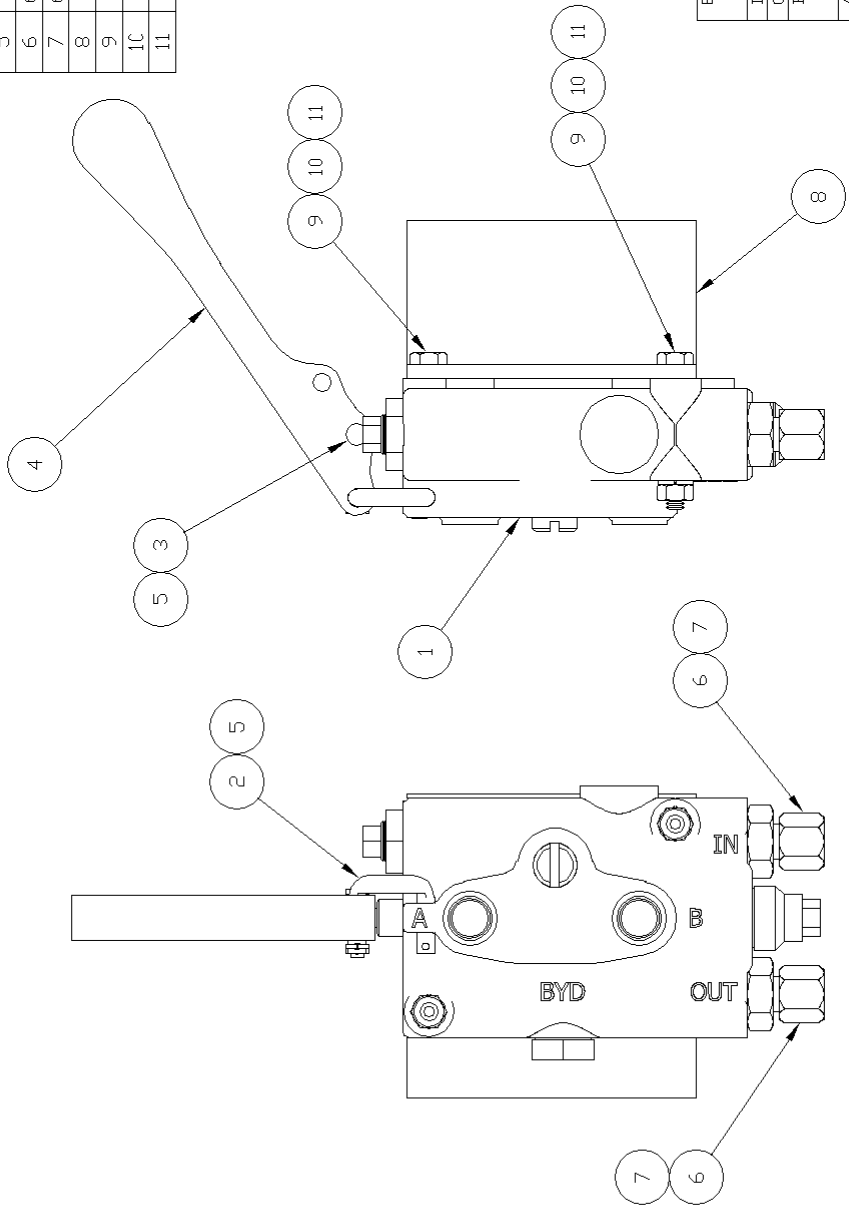
DRAWN BY: TJT DATE: 09/29/04
 CHKD BY: DATE:

TITLE: DIVERTER VALVE SEAL KIT
 DWG. NO.: 8000-0780

SCALE: 2=3 SHEET 1 OF 1 REV. -

ITEM	PART NO.	DESCRIPTION	QTY
1	6083-1025	HAND VALVE - 1750 PSI RELIEF	1
2	6083-1510	UNIVERSAL C-HOOK	1
3	6083-1511	CLEVIS PIN (ø3/16" x 7/8")	1
4	6083-1520	METRO/EATON H.V. HANDLE	1
5	8810-0303	COTTER PIN (1/16" x 1/2")	2
6	6220-0806	ST ADAPTER (#6 JIC x #6 SAE)	2
7	6248-0006	#6 JIC CAP NUT	2
8	7601-0003	HAND VALVE MOUNTING BRACKET	1
9	9001-0416	1/4-20 x 2" H.H.C.S.	2
10	9401-0400	1/4-20 HEX NUT	2
11	9700-0400	1/4" LOCK WASHER	2

NOTE:
 1. SEAL REPAIR KIT P/N : 8000-0085
 2. HANDLE REPLACEMENT KIT P/N : 6083-1501



REV.	REV. DATE	CHK. BY	E.C.R. BY	REV. DATE	CHK. BY	E.C.R. BY
E	05/24/07	CTT		05/24/07	CTT	
D	07/13/05	TJT		07/13/05	TJT	
C	03/30/99	TBR		03/30/99	TBR	
B	05/15/98	CTT		05/15/98	CTT	
A	08/27/97	EFJ		08/27/97	EFJ	

LET.	REV.	CHK.	E.C.R.	DATE	REV.	CHK.	E.C.R.

CONFIDENTIAL This drawing is private and confidential communication and the property of BAYNE MACHINE WORKS, INC., Greenville, S.C. It MUST NOT be copied or lent without consent of BAYNE MACHINE WORKS, INC., and must be promptly returned with tender and/or completion of order to the purchasing department.

SCALE: 2=3

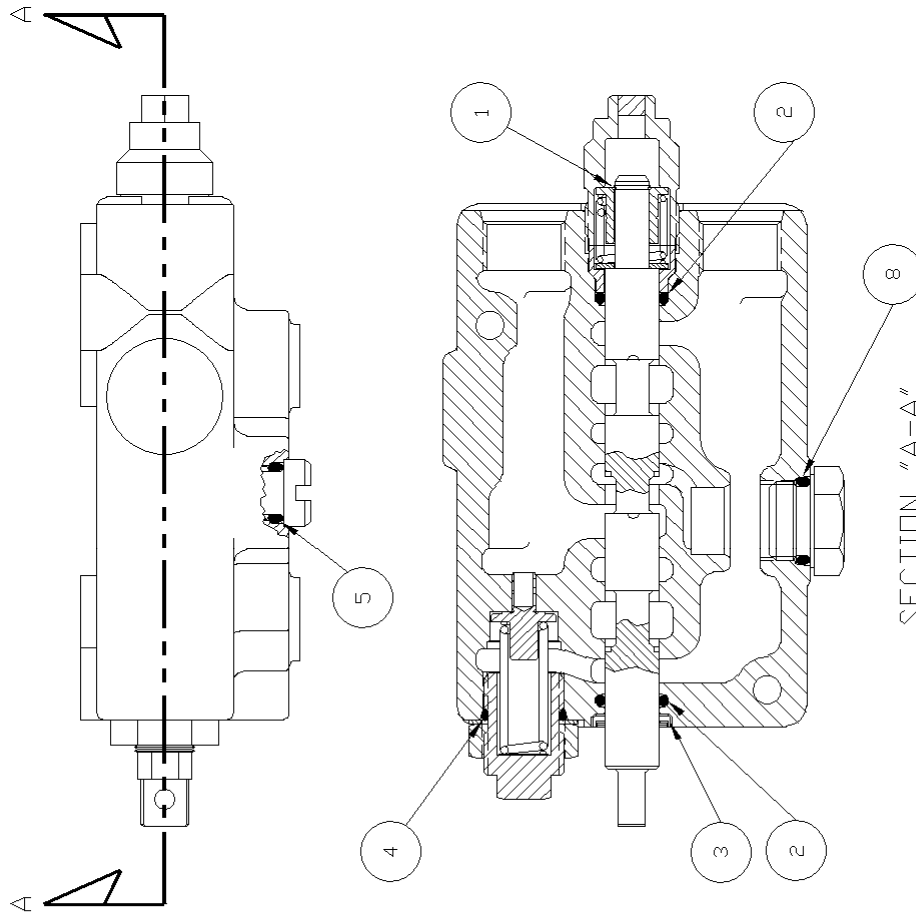
TOLERANCES IF NOT NOTED:
 0.000 ±0.005 - 0.00 ±0.015
 Ø/Ø ±1/32 - ANGULAR ±0.25

DATE: 06/07/96
 DRAWN BY: TBR
 CHECKED BY: BKB

DATE: 06/11/96
 TITLE: VALVE W/BRACKET
 DWG. NO.: 6083-1010

BAYNE MACHINE WORKS, INC.
 910 FORK SHOALS ROAD - GREENVILLE, SC 29605 - 864-288-3877

ITEM NO	DESCRIPTION	QTY
1	RETAINING RING	1
2	3/32" x 1/2" I.D. O-RING	2
3	WIPER SEAL	1
4	3/32" x 41/64" I.D. O-RING	1
5	3/32" x 3/8" I.D. O-RING	1
6	1/16" x 1/2" I.D. O-RING	1
7	1/16" x 1/2" BACK-UP WASHER	1
8	3/32" x 5/8" I.D. O-RING	1
9	5/64" x 15/32" I.D. O-RING	1



NOTES:

1. ASSEMBLY INSTRUCTIONS ARE INCLUDED WITH EACH KIT.
2. ITEMS 6,7 AND 9 ARE NOT USED WITH THIS HAND VALVE.

CONFIDENTIAL		This drawing is private and confidential communication and the property of BAYNE MACHINE WORKS, INC., Greenville, S.C. It MUST NOT be copied or lent without consent of BAYNE MACHINE WORKS, INC., and must be promptly returned with tender and/or completion of order to the purchasing department.		SCALE:	SHEET	OF	REV.
BAYNE MACHINE WORKS, INC.		DATE:	DATE:	1=1	1	1	-
910 FORK SHOALS ROAD - GREENVILLE, SC 29635 - 864-288-3877		DRAWN BY:	CHKD BY:	TITLE:		DWG. NO.:	
		TJT	TJT	HAND VALVE SEAL REPAIR KIT		8000-0085	
		07/20/05	07/20/05				