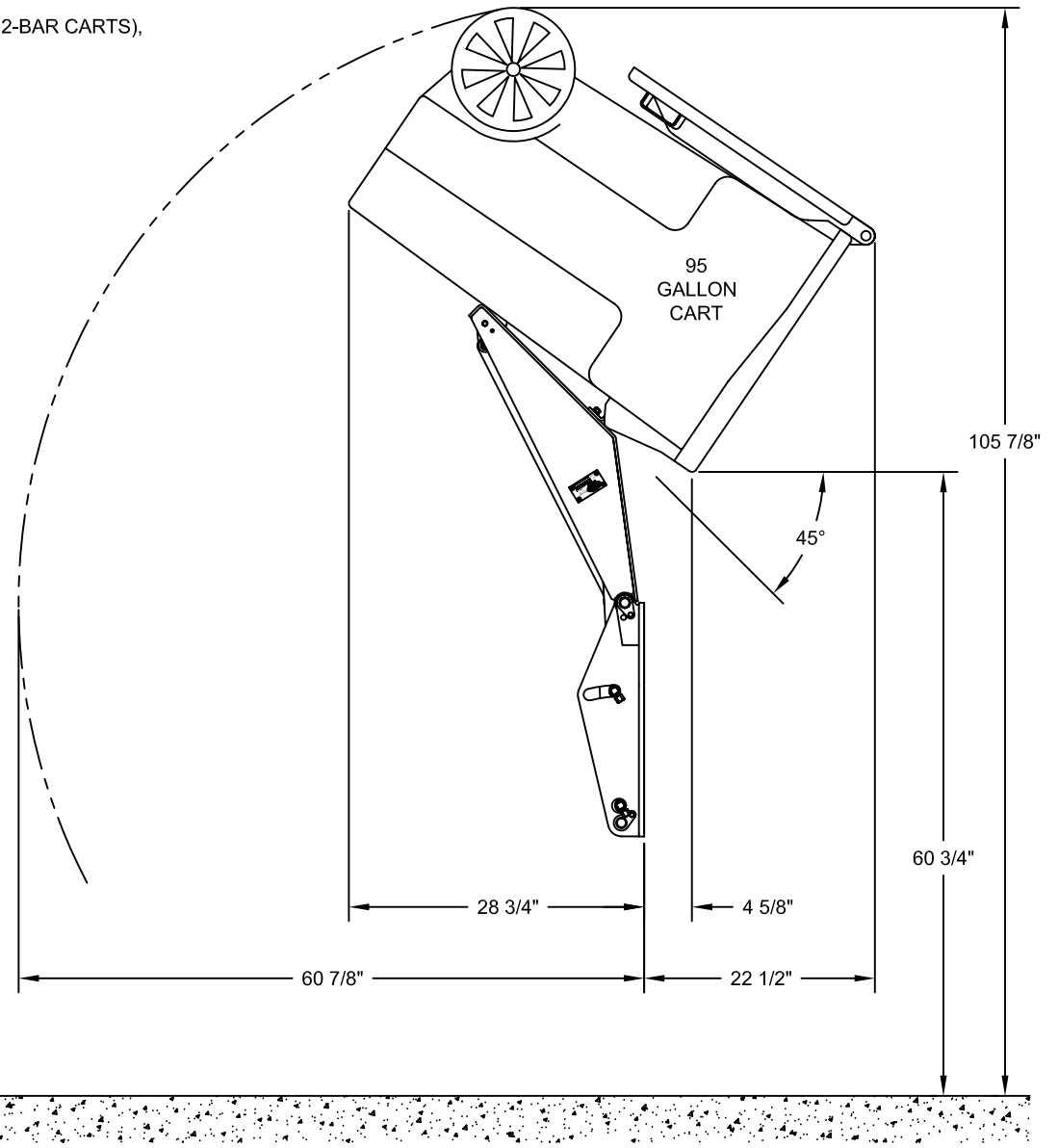
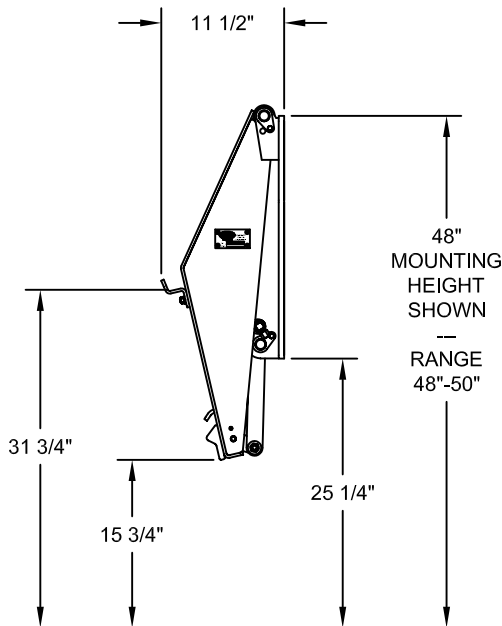
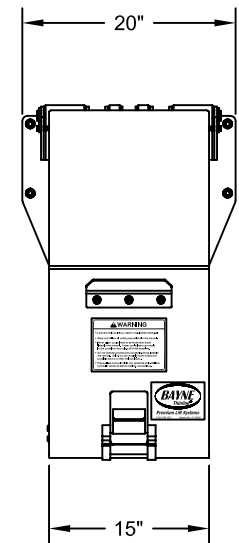


**NOTE:**

1. DIMENSIONS ACCOMMODATE ANSI Z245.60-2008 TYPE B CONTAINERS (DOMESTIC 2-BAR CARTS), BUT MAY VARY DUE TO CONTAINER SPECIFICATIONS OR APPLICATIONS.
2. ALL DIMENSIONS ARE APPROXIMATE.
3. FOR BOLT-ON APPLICATIONS USE MOUNTING PLATE KIT 4900-1030.
4. PART NUMBERS: 1999-9100 - TASKMASTER HI-LIFT



GROUND

<p><b>CONFIDENTIAL</b></p> <p>THE INFORMATION CONTAINED IN THIS DRAWING IS THE SOLE PROPERTY OF BAYNE MACHINE WORKS, INC. AND IS RECALLABLE AT ANY TIME. IT MUST NOT BE COPIED OR USED DETRIMENTALLY TO THE INTEREST OF BAYNE MACHINE WORKS, INC.</p>		<p>UNLESS OTHERWISE SPECIFIED DIMENSIONS ARE IN INCHES</p> <p>LINEAR TOLERANCES:                  FRACTIONAL ±1/32                  TWO PLACE DECIMAL ±.015                  THREE PLACE DECIMAL ±.005</p> <p>ANGULAR TOLERANCES:                  MACHINED ±0.25 DEG                  BEND ±1.00 DEG</p>		<p><b>BAYNE MACHINE WORKS, INC.</b>                  910 FORK SHOALS ROAD - GREENVILLE, SC 29605 - 864.288.3877</p>			
				<p>TITLE  <b>TASKMASTER HI-LIFT SPECIFICATIONS</b></p>			
MATERIAL		DRAWN BY CTT	DATE 10/21/2009	SCALE NONE	SHEET 1	OF 1	
QTY	FINISH	WEIGHT	CHECKED BY	DATE	DWG NO H5800001	REV -	