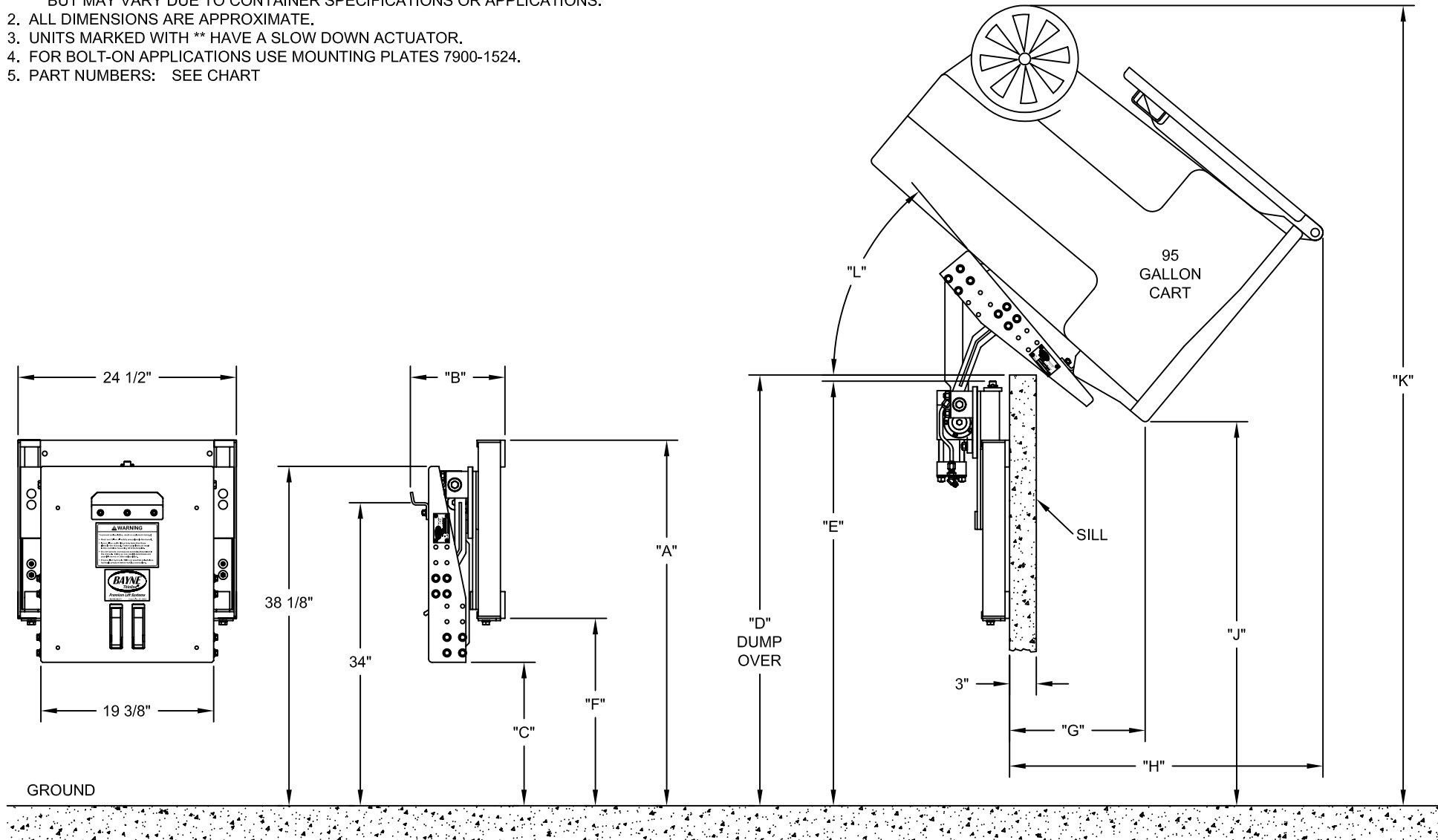
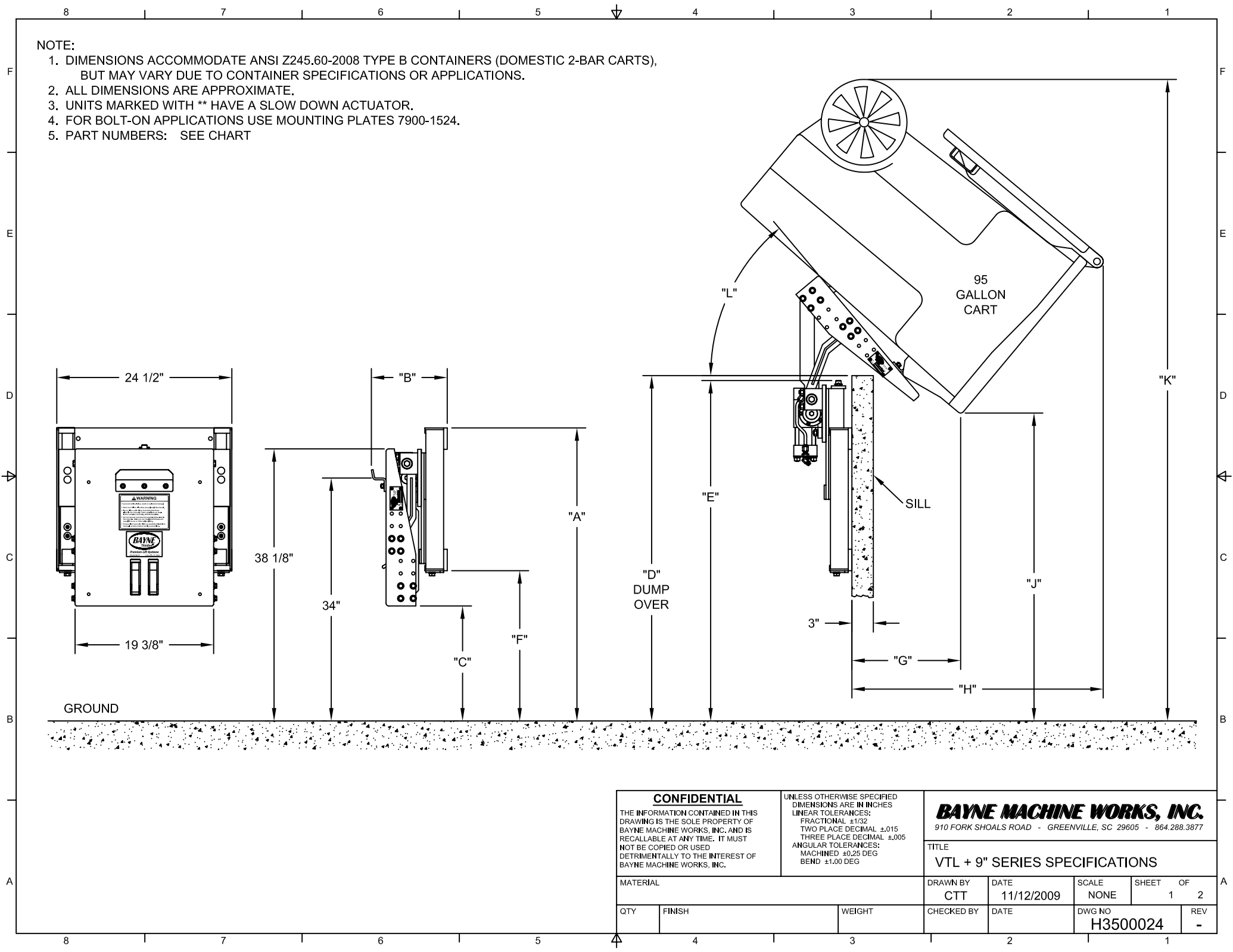


NOTE:

1. DIMENSIONS ACCOMMODATE ANSI Z245.60-2008 TYPE B CONTAINERS (DOMESTIC 2-BAR CARTS), BUT MAY VARY DUE TO CONTAINER SPECIFICATIONS OR APPLICATIONS.
2. ALL DIMENSIONS ARE APPROXIMATE.
3. UNITS MARKED WITH ** HAVE A SLOW DOWN ACTUATOR.
4. FOR BOLT-ON APPLICATIONS USE MOUNTING PLATES 7900-1524.
5. PART NUMBERS: SEE CHART



CONFIDENTIAL		UNLESS OTHERWISE SPECIFIED DIMENSIONS ARE IN INCHES LINEAR TOLERANCES: FRACTIONAL ±1/32 TWO PLACE DECIMAL ±.015 THREE PLACE DECIMAL ±.005 ANGULAR TOLERANCES: MACHINED ±0.25 DEG BEND ±1.00 DEG		BAYNE MACHINE WORKS, INC.						
THE INFORMATION CONTAINED IN THIS DRAWING IS THE SOLE PROPERTY OF BAYNE MACHINE WORKS, INC. AND IS RECALLABLE AT ANY TIME. IT MUST NOT BE COPIED OR USED DETRIMENTALLY TO THE INTEREST OF BAYNE MACHINE WORKS, INC.				910 FORK SHOALS ROAD - GREENVILLE, SC 29605 - 864.288.3877						
MATERIAL						DRAWN BY CTT	DATE 11/12/2009	SCALE NONE	SHEET 1	OF 2
QTY	FINISH	WEIGHT		CHECKED BY	DATE	DWG NO H3500024		REV -		



MODEL NUMBER	PART #	"A" DIM.	"B" DIM.	"C" DIM.	"D" DIM.	"E" DIM.	"F" DIM.	"G" DIM.	"H" DIM.	"J" DIM.	"K" DIM.	"L" DIM.
VTL 1116 + 9"	1960-0018	41"	10 5/8"	16 1/8"	48 3/8"	47 5/8"	21"	15 1/4"	35 1/8"	43 1/8"	89 3/4"	50°
VTL 1120 + 9"	1960-0020	45"	10 5/8"	16 1/8"	57 1/8"	51 5/8"	25"	16"	34 7/8"	52 1/4"	98 1/8"	47°
VTL 2220 + 9" **	1960-0024											
VTL 1124 + 9" **	1960-0022	49"	10 5/8"	16 1/8"	65 5/8"	55 5/8"	29"	16 3/8"	34 5/8"	60 7/8"	106 3/8"	45°
VTL 2224 + 9" **	1960-0026											
VTL 1124-2524 + 9" **	1960-0023	49"	14 5/8"	16 1/8"	66 5/8"	55 5/8"	29"	18 5/8"	39 3/8"	58 3/8"	105 1/2"	52°

CONFIDENTIAL		UNLESS OTHERWISE SPECIFIED DIMENSIONS ARE IN INCHES		BAYNE MACHINE WORKS, INC.	
THE INFORMATION CONTAINED IN THIS DRAWING IS THE SOLE PROPERTY OF BAYNE MACHINE WORKS, INC. AND IS RECALLABLE AT ANY TIME. IT MUST NOT BE COPIED OR USED DETRIMENTALLY TO THE INTEREST OF BAYNE MACHINE WORKS, INC.		LINEAR TOLERANCES: FRACTIONAL ±1/32 TWO PLACE DECIMAL ±.015 THREE PLACE DECIMAL ±.005		910 FORK SHOALS ROAD - GREENVILLE, SC 29605 - 864.288.3877	
MATERIAL		DRAWN BY CTT		DATE 11/12/2009	
QTY		FINISH		WEIGHT	
CHECKED BY		DATE		DWG NO H3500024	
SCALE NONE		SHEET 2		OF 2	
REV -					
TITLE VTL + 9" SERIES SPECIFICATIONS					