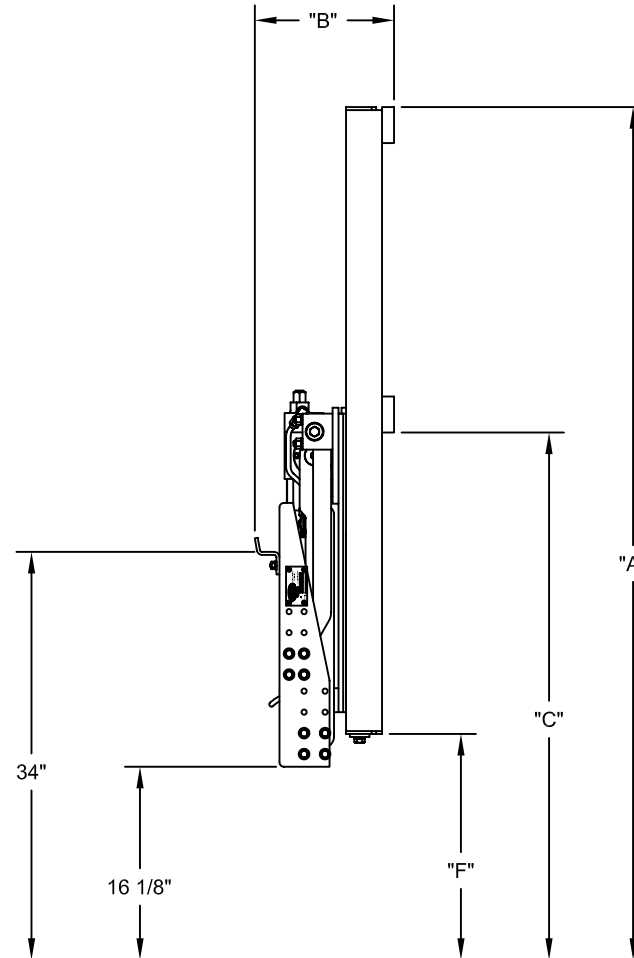
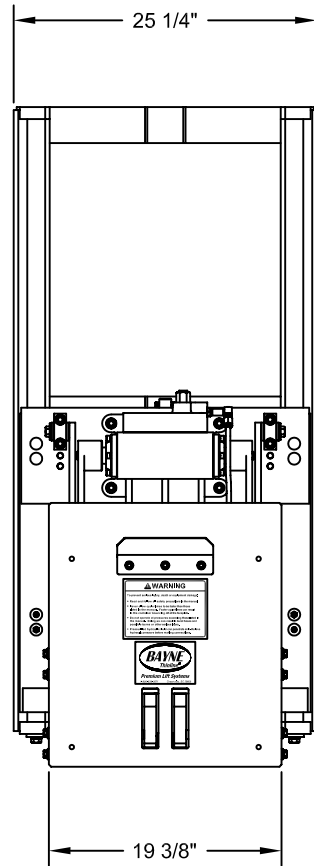


**NOTE:**

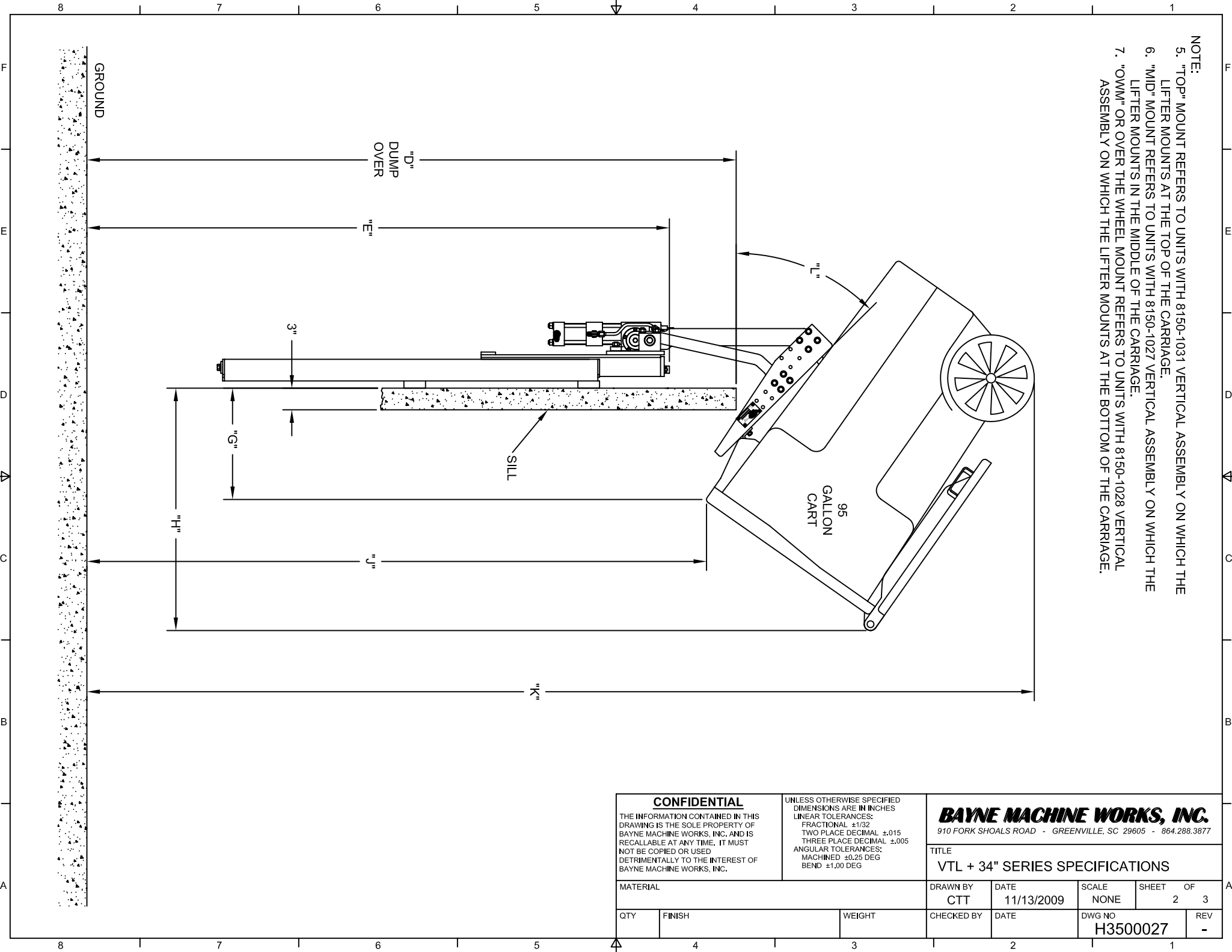
1. DIMENSIONS ACCOMMODATE ANSI Z245.60-2008 TYPE B CONTAINERS (DOMESTIC 2-BAR CARTS), BUT MAY VARY DUE TO CONTAINER SPECIFICATIONS OR APPLICATIONS.
2. ALL DIMENSIONS ARE APPROXIMATE.
3. UNITS MARKED WITH \*\* HAVE A SLOW DOWN ACTUATOR.
4. PART NUMBERS: SEE CHART



GROUND

|   |        |   |            |  |          |                 |                    |               |            |         |
|---|--------|---|------------|--|----------|-----------------|--------------------|---------------|------------|---------|
| <b>CONFIDENTIAL</b>   |        | UNLESS OTHERWISE SPECIFIED<br>DIMENSIONS ARE IN INCHES<br>LINEAR TOLERANCES:<br>FRACTIONAL ±1/32<br>TWO PLACE DECIMAL ±.015<br>THREE PLACE DECIMAL ±.005<br>ANGULAR TOLERANCES:<br>MACHINED ±0.25 DEG<br>BEND ±1.00 DEG |            | <b>BAYNE MACHINE WORKS, INC.</b>                           |          |                 |                    |               |            |         |
| THE INFORMATION CONTAINED IN THIS<br>DRAWING IS THE SOLE PROPERTY OF<br>BAYNE MACHINE WORKS, INC. AND IS<br>RECALLABLE AT ANY TIME. IT MUST<br>NOT BE COPIED OR USED<br>DETRIMENTALLY TO THE INTEREST OF<br>BAYNE MACHINE WORKS, INC. |        |   |            | 910 FORK SHOALS ROAD - GREENVILLE, SC 29605 - 864.288.3877 |          |                 |                    |               |            |         |
| MATERIAL  |        |   |            |  |          | DRAWN BY<br>CTT | DATE<br>11/13/2009 | SCALE<br>NONE | SHEET<br>1 | OF<br>3 |
| QTY   | FINISH | WEIGHT  | CHECKED BY | DATE   | DWG NO   | REV             |                    |               |            |         |
|   |        |   |            |  | H3500027 | -               |                    |               |            |         |

TITLE  
**VTL + 34" SERIES SPECIFICATIONS**



NOTE:  
 5. "TOP" MOUNT REFERS TO UNITS WITH 8150-1031 VERTICAL ASSEMBLY ON WHICH THE LIFTER MOUNTS AT THE TOP OF THE CARRIAGE.  
 6. "MID" MOUNT REFERS TO UNITS WITH 8150-1027 VERTICAL ASSEMBLY ON WHICH THE LIFTER MOUNTS IN THE MIDDLE OF THE CARRIAGE.  
 7. "OWM" OR OVER THE WHEEL MOUNT REFERS TO UNITS WITH 8150-1028 VERTICAL ASSEMBLY ON WHICH THE LIFTER MOUNTS AT THE BOTTOM OF THE CARRIAGE.

|   |        |   |                    |   |                    |          |  |
|---|--------|---|--------------------|---|--------------------|----------|--|
| <p><b>CONFIDENTIAL</b></p> <p>THE INFORMATION CONTAINED IN THIS DRAWING IS THE SOLE PROPERTY OF BAYNE MACHINE WORKS, INC. AND IS RECALLABLE AT ANY TIME. IT MUST NOT BE COPIED OR USED DETRIMENTALLY TO THE INTEREST OF BAYNE MACHINE WORKS, INC.</p> |        | <p>UNLESS OTHERWISE SPECIFIED DIMENSIONS ARE IN INCHES</p> <p>LINEAR TOLERANCES:<br/>           FRACTIONAL ±1/32<br/>           TWO PLACE DECIMAL ±.015<br/>           THREE PLACE DECIMAL ±.005</p> <p>ANGULAR TOLERANCES:<br/>           MACHINED ±0.25 DEG<br/>           BEND ±1.00 DEG</p> |                    | <p><b>BAYNE MACHINE WORKS, INC.</b><br/>           910 FORK SHOALS ROAD - GREENVILLE, SC 29605 - 864.288.3877</p> |                    |          |  |
|   |        |   |                    | <p>TITLE<br/> <b>VTL + 34" SERIES SPECIFICATIONS</b></p>  |                    |          |  |
| MATERIAL  |        | DRAWN BY<br>CTT   | DATE<br>11/13/2009 | SCALE<br>NONE   | SHEET<br>2         | OF<br>3  |  |
| QTY   | FINISH | WEIGHT  | CHECKED BY         | DATE  | DWG NO<br>H3500027 | REV<br>- |  |

| MODEL NUMBER                        | PART #    | "A" DIM. | "B" DIM. | "C" DIM. | "D" DIM. | "E" DIM. | "F" DIM. | "G" DIM. | "H" DIM. | "J" DIM. | "K" DIM. | "L" DIM. |
|-------------------------------------|-----------|----------|----------|----------|----------|----------|----------|----------|----------|----------|----------|----------|
| VTL 2220 + 34" (TOP) **             | 1962-0025 | 67 1/8"  | 11 5/8"  | 40"      | 81 1/2"  | 76 3/4"  | 14 7/8"  | 15"      | 33 7/8"  | 77 1/4"  | 123 1/8" | 47°      |
| VTL 2220 + 34" (MID) **             | 1962-0024 | 70 7/8"  | 11 5/8"  | 43 3/4"  | 81 1/2"  | 80 1/2"  | 18 5/8"  | 15"      | 33 7/8"  | 77 1/4"  | 123 1/8" | 47°      |
| VTL 2224 + 34" (TOP) **             | 1962-0021 | 71 1/8"  | 11 5/8"  | 44"      | 90"      | 80 3/4"  | 18 7/8"  | 15 3/8"  | 33 5/8"  | 85 7/8"  | 131 3/8" | 45°      |
| VTL 2224 + 34" (MID) **             | 1962-0026 | 74 7/8"  | 11 5/8"  | 47 3/4"  | 90"      | 84 1/2"  | 22 5/8"  | 15 3/8"  | 33 5/8"  | 85 7/8"  | 131 3/8" | 45°      |
| VTL 2228 + 34" (TOP) **             | 1962-0022 | 75 1/8"  | 11 5/8"  | 48"      | 98 1/4"  | 84 3/4"  | 22 7/8"  | 15 3/4"  | 33 3/8"  | 94 3/8"  | 139 3/8" | 44°      |
| VTL 2228 + 34" (TOP) (TOP HOLES) ** | 1962-0012 | 78 5/8"  | 11 5/8"  | 51 1/2"  | 102 5/8" | 88 1/4"  | 26 3/8"  | 13 1/4"  | 30 7/8"  | 100 1/4" | 145 3/8" | 44°      |
| VTL 2228 + 34" (MID) **             | 1962-0028 | 78 7/8"  | 11 5/8"  | 51 3/4"  | 98 1/4"  | 88 1/2"  | 26 5/8"  | 15 3/4"  | 33 3/8"  | 94 3/8"  | 139 3/8" | 44°      |
| VTL 2228 + 34" (OWM) **             | 1962-0027 | 89 7/8"  | 11 5/8"  | 62 3/4"  | 98 1/4"  | 99 1/2"  | 37 5/8"  | 15 3/4"  | 33 3/8"  | 94 3/8"  | 139 3/8" | 44°      |
| VTL 2228 + 34" (OWM) (TOP HOLES) ** | 1962-0002 | 93 3/8"  | 11 5/8"  | 66 1/4"  | 102 5/8" | 103"     | 41 1/8"  | 13 1/4"  | 30 7/8"  | 100 1/4" | 145 3/8" | 44°      |
| VTL 2232 + 34" (TOP) **             | 1962-0023 | 79 1/8"  | 11 5/8"  | 52"      | 106 1/4" | 88 3/4"  | 26 7/8"  | 15 7/8"  | 33 1/4"  | 102 3/4" | 147 1/2" | 43°      |
| VTL 2232 + 34" (MID) **             | 1962-0030 | 82 7/8"  | 11 5/8"  | 55 3/4"  | 106 1/4" | 92 1/2"  | 30 5/8"  | 15 7/8"  | 33 1/4"  | 102 3/4" | 147 1/2" | 43°      |
| VTL 2232 + 34" (OWM) **             | 1962-0029 | 93 7/8"  | 11 5/8"  | 66 3/4"  | 106 1/4" | 103 1/2" | 41 5/8"  | 15 7/8"  | 33 1/4"  | 102 3/4" | 147 1/2" | 43°      |
| VTL 2234 + 34" (TOP) **             | 1962-0033 | 81 1/8"  | 11 5/8"  | 54"      | 110 1/4" | 90 3/4"  | 28 7/8"  | 16"      | 33 1/8"  | 106 7/8" | 151 1/2" | 43°      |
| VTL 2234 + 34" (MID) **             | 1962-0032 | 84 7/8"  | 11 5/8"  | 57 3/4"  | 110 1/4" | 94 1/2"  | 32 5/8"  | 16"      | 33 1/8"  | 106 7/8" | 151 1/2" | 43°      |
| VTL 2234 + 34" (MID) (TOP HOLES) ** | 1962-0034 | 88 3/8"  | 11 5/8"  | 61 1/4"  | 114 1/2" | 98"      | 36 1/8"  | 13 3/8"  | 30 5/8"  | 112 3/4" | 157 3/8" | 43°      |
| VTL 2234 + 34" (OWM) **             | 1962-0031 | 95 7/8"  | 11 5/8"  | 68 3/4"  | 110 1/4" | 105 1/2" | 43 5/8"  | 16"      | 33 1/8"  | 106 7/8" | 151 1/2" | 43°      |

|   |        |  |                    |  |                    |
|---|--------|--|--------------------|--|--------------------|
| <b>CONFIDENTIAL</b>   |        | UNLESS OTHERWISE SPECIFIED<br>DIMENSIONS ARE IN INCHES   |                    | <b>BAYNE MACHINE WORKS, INC.</b>                           |                    |
| THE INFORMATION CONTAINED IN THIS<br>DRAWING IS THE SOLE PROPERTY OF<br>BAYNE MACHINE WORKS, INC. AND IS<br>RECALLABLE AT ANY TIME. IT MUST<br>NOT BE COPIED OR USED<br>DETRIMENTALLY TO THE INTEREST OF<br>BAYNE MACHINE WORKS, INC. |        | LINEAR TOLERANCES:<br>FRACTIONAL ±1/32<br>TWO PLACE DECIMAL ±.015<br>THREE PLACE DECIMAL ±.005 |                    | 910 FORK SHOALS ROAD - GREENVILLE, SC 29605 - 864.288.3877 |                    |
|   |        | ANGULAR TOLERANCES:<br>MACHINED ±0.25 DEG<br>BEND ±1.00 DEG                                    |                    | TITLE<br>VTL + 34" SERIES SPECIFICATIONS                   |                    |
| MATERIAL  |        | DRAWN BY<br>CTT  | DATE<br>11/13/2009 | SCALE<br>NONE  | SHEET OF<br>3 3    |
| QTY   | FINISH | WEIGHT   | CHECKED BY         | DATE   | DWG NO<br>H3500027 |
|   |        |  |                    |  | REV<br>-           |