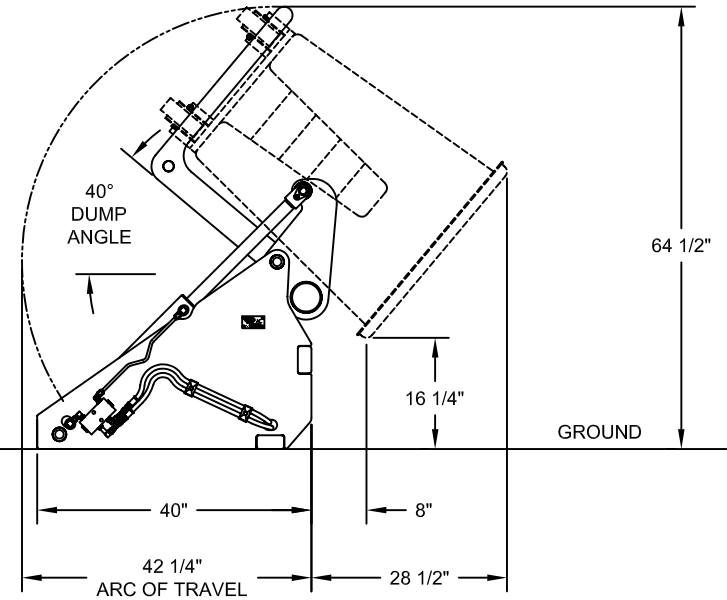
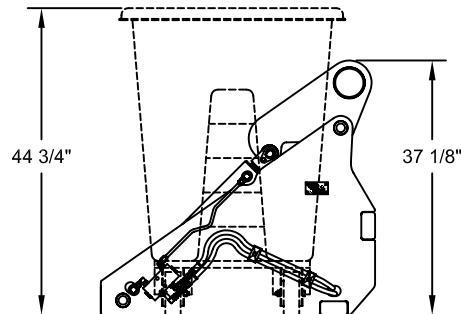
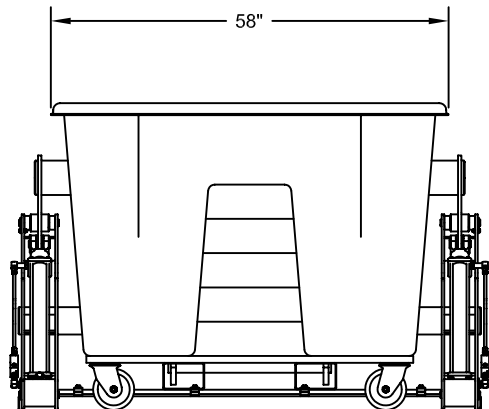
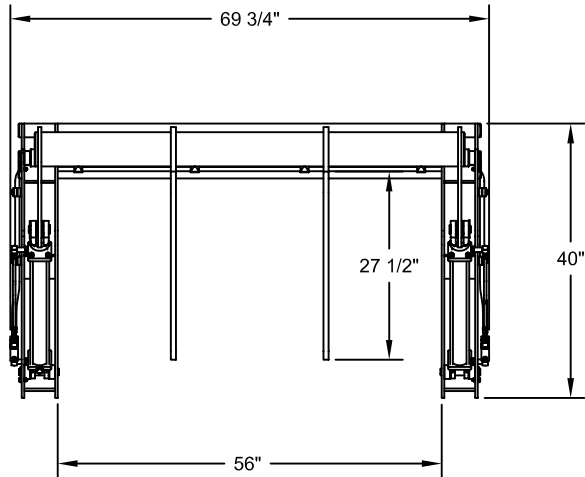


8 7 6 5 4 3 2 1

NOTE:

1. COMPATIBLE CONTAINERS:
 TOTER #AM110 - 1 cu yd UNIVERSAL MOBILE TRUCK
 TOTER #AM111 - 1 cu yd TRADITIONAL MOBILE TRUCK
2. LIFT CAPACITY: 1000 lbs @ 1000 PSI
3. CYCLE TIME: 25 SECONDS @ 5.2 GPM
4. POWER UNIT: 5 HP MOTOR
 5.2 GPM GEAR PUMP
 12 GALLON OIL RESERVOIR
 2500 PSI MAXIMUM PRESSURE
 KEYED ON/OFF SWITCH
5. ALL DIMENSIONS ARE APPROXIMATE.
6. PART NUMBERS: 1920-4541 - no power unit



CUSTOMER APPROVAL DRAWING

This drawing is private and confidential communication and the property of BAYNE MACHINE WORKS, INC., Greenville, S.C. It MUST NOT be copied or lent without consent of BAYNE MACHINE WORKS, INC.

SUBMITTED FOR YOUR APPROVAL

This proposal drawing will not be released for production without a signed approval. Please review this drawing and the product shown carefully and mark all changes required.

This drawing supersedes all drawings of previous issues. Destroy all drawings of this part number issued prior to this date:

12/03/2009

Name _____ Date _____
 Title _____ Company _____

CONFIDENTIAL

THE INFORMATION CONTAINED IN THIS DRAWING IS THE SOLE PROPERTY OF BAYNE MACHINE WORKS, INC. AND IS RECALLABLE AT ANY TIME. IT MUST NOT BE COPIED OR USED DETRIMENTALLY TO THE INTEREST OF BAYNE MACHINE WORKS, INC.

UNLESS OTHERWISE SPECIFIED DIMENSIONS ARE IN INCHES
 LINEAR TOLERANCES:
 FRACTIONAL ±1/32
 TWO PLACE DECIMAL ±.015
 THREE PLACE DECIMAL ±.005
 ANGULAR TOLERANCES:
 MACHINED ±0.25 DEG
 BEND ±1.00 DEG

BAYNE MACHINE WORKS, INC.
 910 FORK SHOALS ROAD - GREENVILLE, SC 29605 - 864.288.3877

TITLE
 FORK POCKET - 1 YD. MOBILE TRUCK SPECIFICATIONS

MATERIAL		DRAWN BY CTT	DATE 12/03/2009	SCALE NONE	SHEET 1	OF 1
QTY	FINISH	WEIGHT	CHECKED BY	DATE	DWG NO H5800031	REV -

8 7 6 5 4 3 2 1