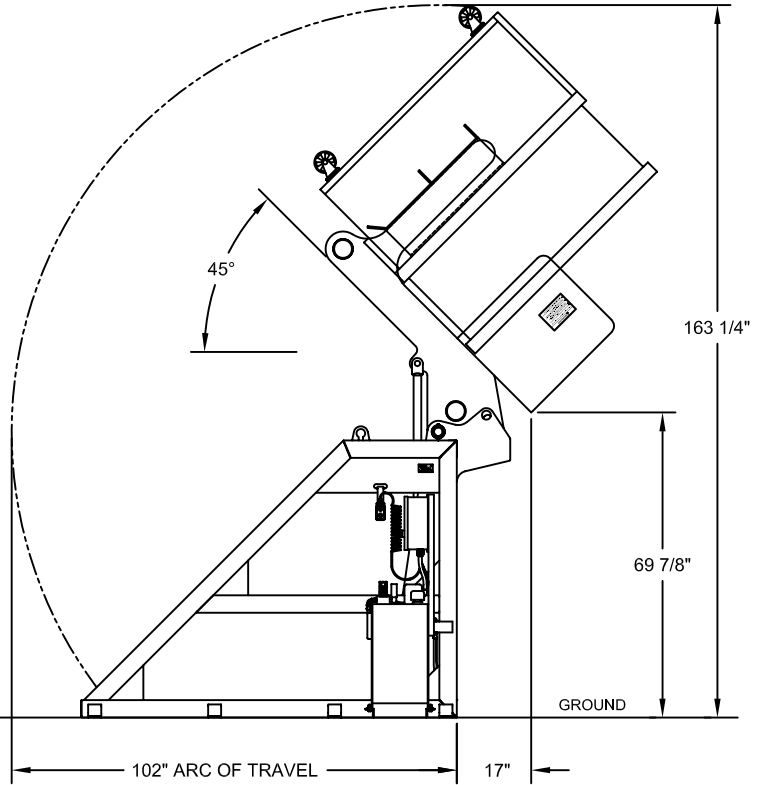
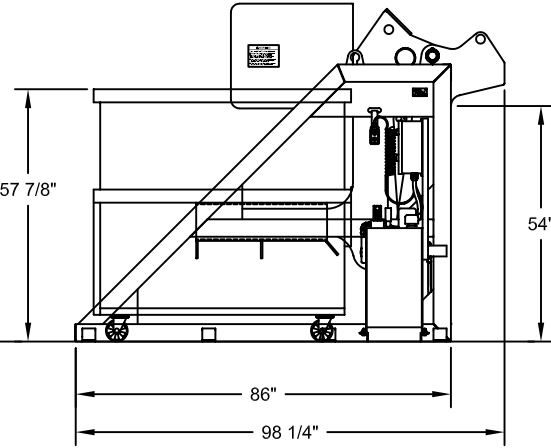
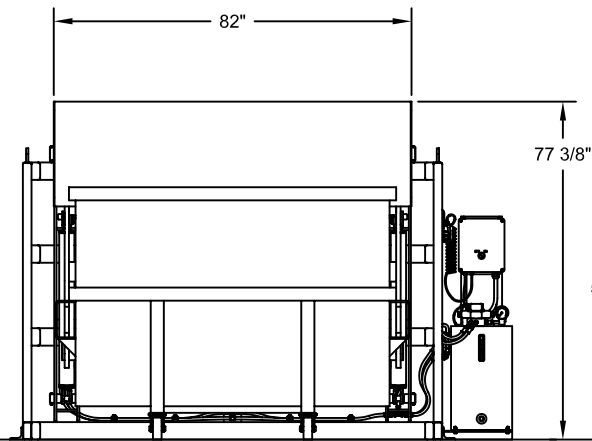
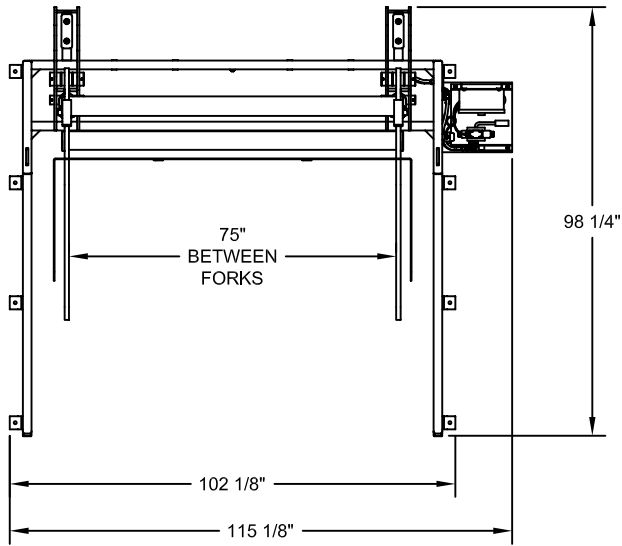


- NOTE:
1. COMPATIBLE CONTAINERS:
RJM MANUFACTURING #SP-0015 - SPECIAL MM-30APT 4 cu yd CAN
 2. LIFT CAPACITY: 4000 lbs @ 2000 PSI
 3. CYCLE TIME: 35 SECONDS @ 5.2 GPM
 4. POWER UNIT: 5 HP MOTOR
5.2 GPM GEAR PUMP
12 GALLON OIL RESERVOIR
2500 PSI MAXIMUM PRESSURE
KEYED ON/OFF SWITCH
 5. ALL DIMENSIONS ARE APPROXIMATE.
 6. PART NUMBERS: 1920-4543 - 460V three-phase (14.3 AMPS)



CUSTOMER APPROVAL DRAWING	
This drawing is private and confidential communication and the property of BAYNE MACHINE WORKS, INC., Greenville, S.C. It MUST NOT be copied or lent without consent of BAYNE MACHINE WORKS, INC.	SUBMITTED FOR YOUR APPROVAL
This drawing supersedes all drawings of previous issues. Destroy all drawings of this part number issued prior to this date: 12/03/2009	This proposal drawing will not be released for production without a signed approval. Please review this drawing and the product shown carefully and mark all changes required.
Name _____ Date _____	Title _____ Company _____

CONFIDENTIAL		UNLESS OTHERWISE SPECIFIED DIMENSIONS ARE IN INCHES		BAYNE MACHINE WORKS, INC. 910 FORK SHOALS ROAD - GREENVILLE, SC 29605 - 864.288.3877	
THE INFORMATION CONTAINED IN THIS DRAWING IS THE SOLE PROPERTY OF BAYNE MACHINE WORKS, INC. AND IS RECALLABLE AT ANY TIME. IT MUST NOT BE COPIED OR USED DETRIMENTALLY TO THE INTEREST OF BAYNE MACHINE WORKS, INC.		LINEAR TOLERANCES: FRACTIONAL ±1/32 TWO PLACE DECIMAL ±.015 THREE PLACE DECIMAL ±.005 ANGULAR TOLERANCES: MACHINED ±0.25 DEG BEND ±1.00 DEG			
MATERIAL		DRAWN BY	DATE	SCALE	SHEET OF
QTY	FINISH	CTT	12/03/2009	NONE	1 1
WEIGHT		CHECKED BY	DATE	DWG NO	REV
				H5800032	-