

NOTE:

1. COMPATIBLE CONTAINERS:

- AMERI-KART - 1 cu yd MATERIAL HANDLING CART (#11281 MEDIUM DUTY, #11256 HEAVY DUTY, #12500 SUPER HEAVY DUTY)
- AMERI-KART - 16 bushel POLY BOX TRUCK (#UT-16 UTILITY DUTY, #HD-16 HEAVY DUTY)
- AMERI-KART - 18 bushel POLY BOX TRUCK (#UT-18 UTILITY DUTY, #HD-18 HEAVY DUTY)
- AMERI-KART - 20 bushel POLY BOX TRUCK (#UT-20 UTILITY DUTY, #HD-20 HEAVY DUTY)
- RUBBERMAID - 14 cu ft UTILITY TRUCK (#4614 STANDARD DUTY)
- RUBBERMAID - 16 cu ft UTILITY TRUCK (#4616 STANDARD DUTY, #4716 HEAVY DUTY)
- RUBBERMAID - 20 cu ft UTILITY TRUCK (#4619 STANDARD DUTY, #4720 HEAVY DUTY)
- RUBBERMAID - 27 cu ft UTILITY TRUCK (#4727 HEAVY DUTY)
- RUBBERMAID - 3/4 cu yd STRUCTURAL FOAM TILT TRUCK (#1011 UTILITY DUTY, #1013 STANDARD DUTY)
- RUBBERMAID - 1 cu yd STRUCTURAL FOAM TILT TRUCK (#9T15 STANDARD DUTY, #9T16 HEAVY DUTY)
- RUBBERMAID - 1 cu yd TILT TRUCK (#9T18 LIGHT DUTY, #1314 UTILITY DUTY, #1315 STANDARD DUTY, #1316 HEAVY DUTY)
- TOTER - 16 cu ft XHD CUBE TRUCK (#MMC16 MANUAL, #AMC16 AUTOMATED)
- TOTER - 20 cu ft XHD CUBE TRUCK (#MMC20 MANUAL, #AMC20 AUTOMATED)
- TOTER - 1 cu yd XHD MOBILE TRUCK (#AM110 UNIVERSAL, #AM111 TRADITIONAL)
- TOTER - 3/4 cu yd TILT TRUCK (#UT175 STANDARD DUTY)
- TOTER - 1 cu yd TILT TRUCK (#UT010 UTILITY DUTY, #UT110 STANDARD DUTY, #UT210 HEAVY DUTY)

2. LIFT CAPACITY: 2500 lbs @ 2000 PSI

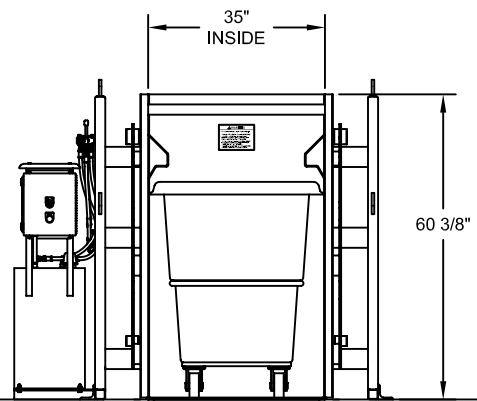
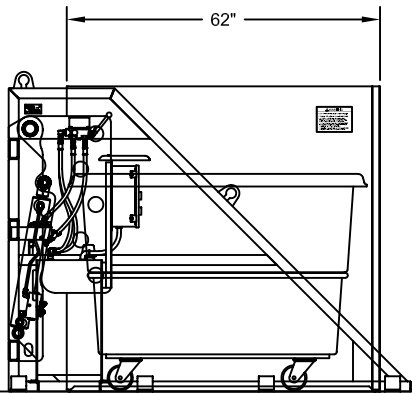
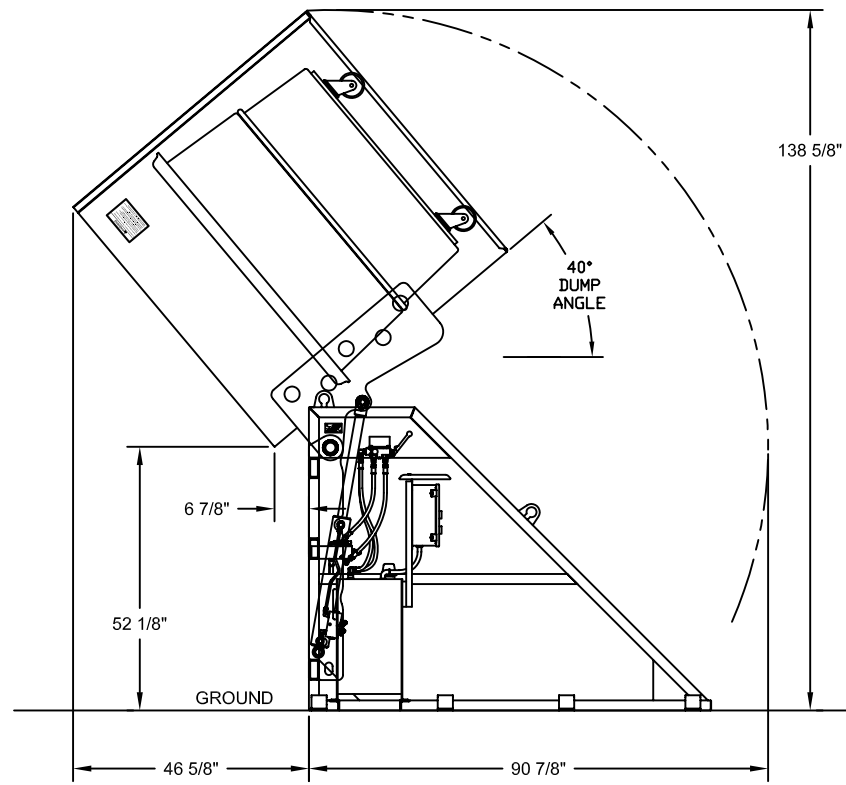
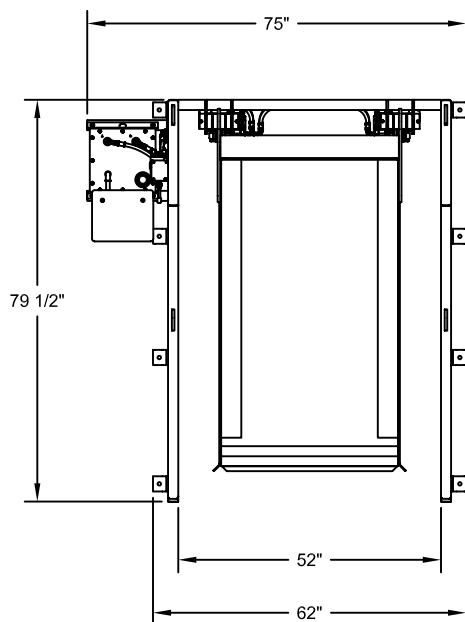
3. CYCLE TIME: 25 SECONDS @ 5.2 GPM

4. POWER UNIT: 5 HP MOTOR

- 5.2 GPM GEAR PUMP
- 12 GALLON OIL RESERVOIR
- 2500 PSI MAXIMUM PRESSURE
- KEYED ON/OFF SWITCH

5. ALL DIMENSIONS ARE APPROXIMATE.

6. PART NUMBERS: 1920-4604 - 460V three-phase (14.3 AMPS)



CUSTOMER APPROVAL DRAWING	
This drawing is private and confidential communication and the property of BAYNE MACHINE WORKS, INC., Greenville, S.C. It MUST NOT be copied or lent without consent of BAYNE MACHINE WORKS, INC.	SUBMITTED FOR YOUR APPROVAL This proposal drawing will not be released for production without a signed approval. Please review this drawing and the product shown carefully and mark all changes required.
This drawing supersedes all drawings of previous issues. Destroy all drawings of this part number issued prior to this date: 12/03/2009	Name _____ Date _____ Title _____ Company _____

CONFIDENTIAL		UNLESS OTHERWISE SPECIFIED DIMENSIONS ARE IN INCHES LINEAR TOLERANCES: FRACTIONAL ±1/32 TWO PLACE DECIMAL ±.015 THREE PLACE DECIMAL ±.005 ANGULAR TOLERANCES: MACHINED ±0.25 DEG BEND ±1.00 DEG		BAYNE MACHINE WORKS, INC. 910 FORK SHOALS ROAD - GREENVILLE, SC 29605 - 864.288.3877	
TITLE CUBE TRUCKS - 52" DUMP SPECIFICATIONS					
DRAWN BY	DATE	SCALE	SHEET	OF	
CTT	12/03/2009	NONE	1	1	
QTY	FINISH	WEIGHT	CHECKED BY	DATE	DWG NO
					Q5800144
					REV
					-