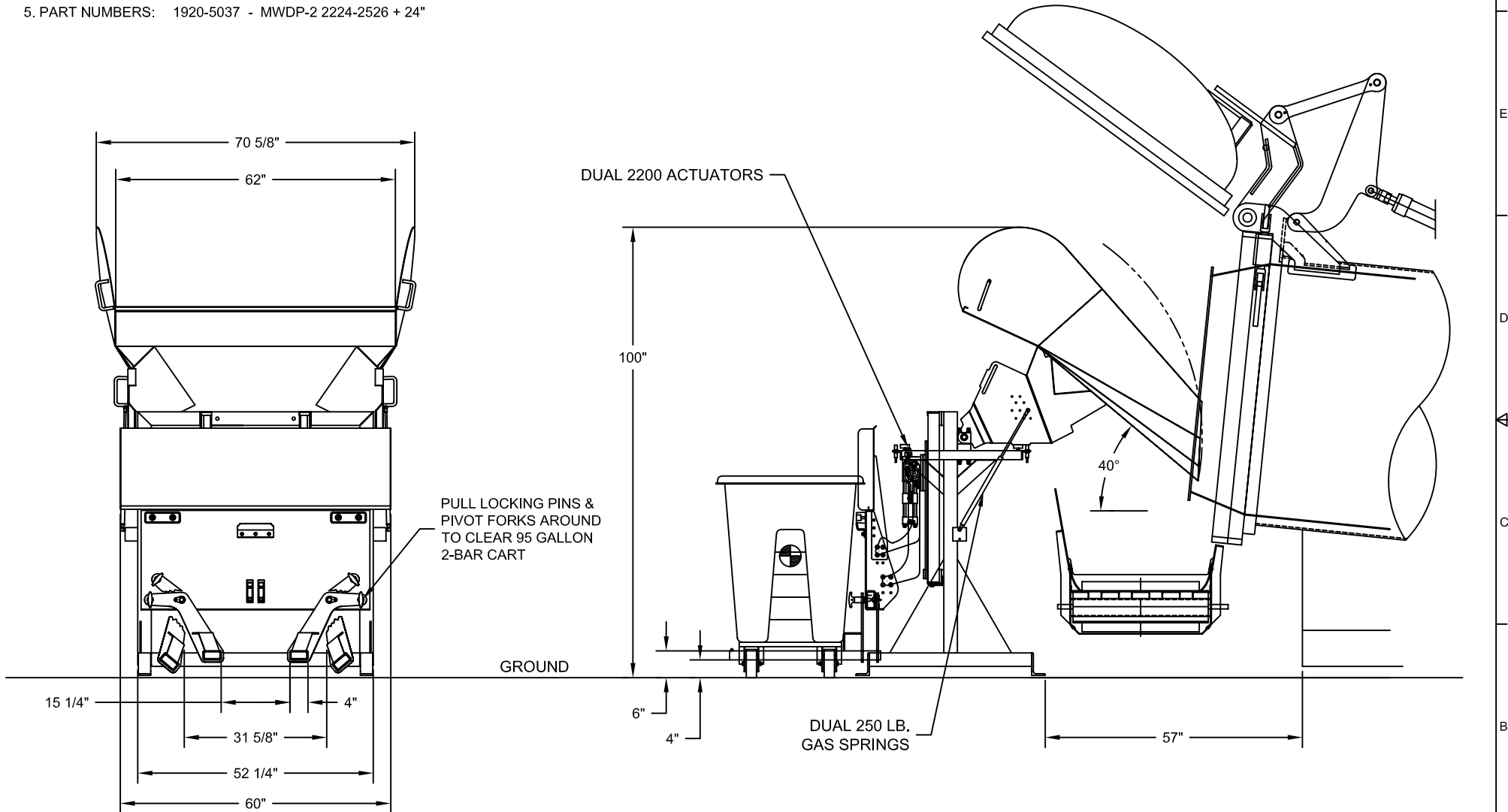


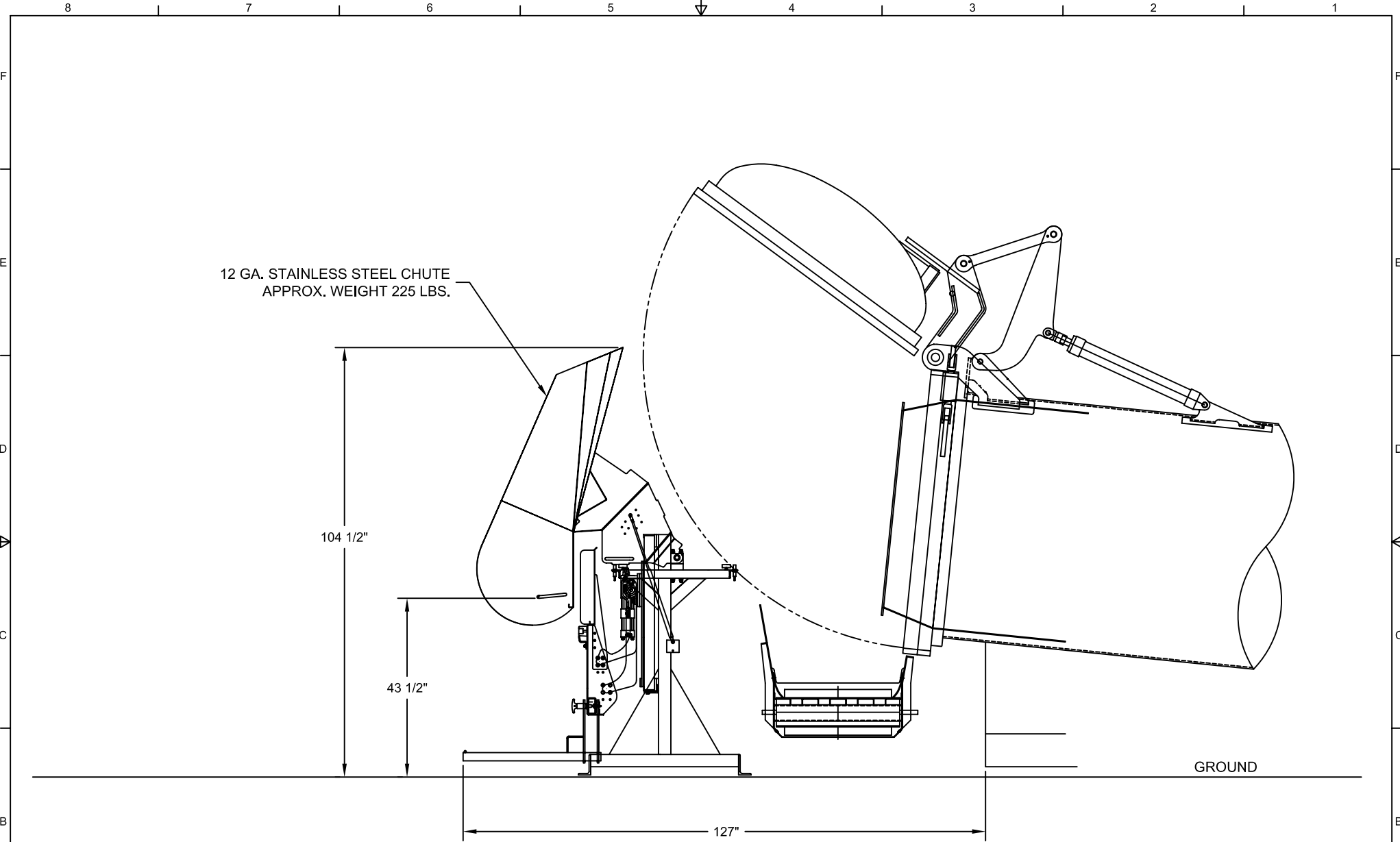
**NOTE:**

1. COMPATIBLE CONTAINERS:  
ANSI Z245.60-2008 TYPE B CONTAINERS (domestic 2-bar carts)  
TOTER AM110 - 1 YD. UNIVERSAL MOBILE TRUCK  
TOTER AM111 - 1 YD. TRADITIONAL MOBILE TRUCK
2. LIFT CAPACITY: 1000 lbs @ 1500 PSI
3. CYCLE TIME: 30 SECONDS @ 2.5 GPM
4. ALL DIMENSIONS ARE APPROXIMATE.
5. PART NUMBERS: 1920-5037 - MWDP-2 2224-2526 + 24"



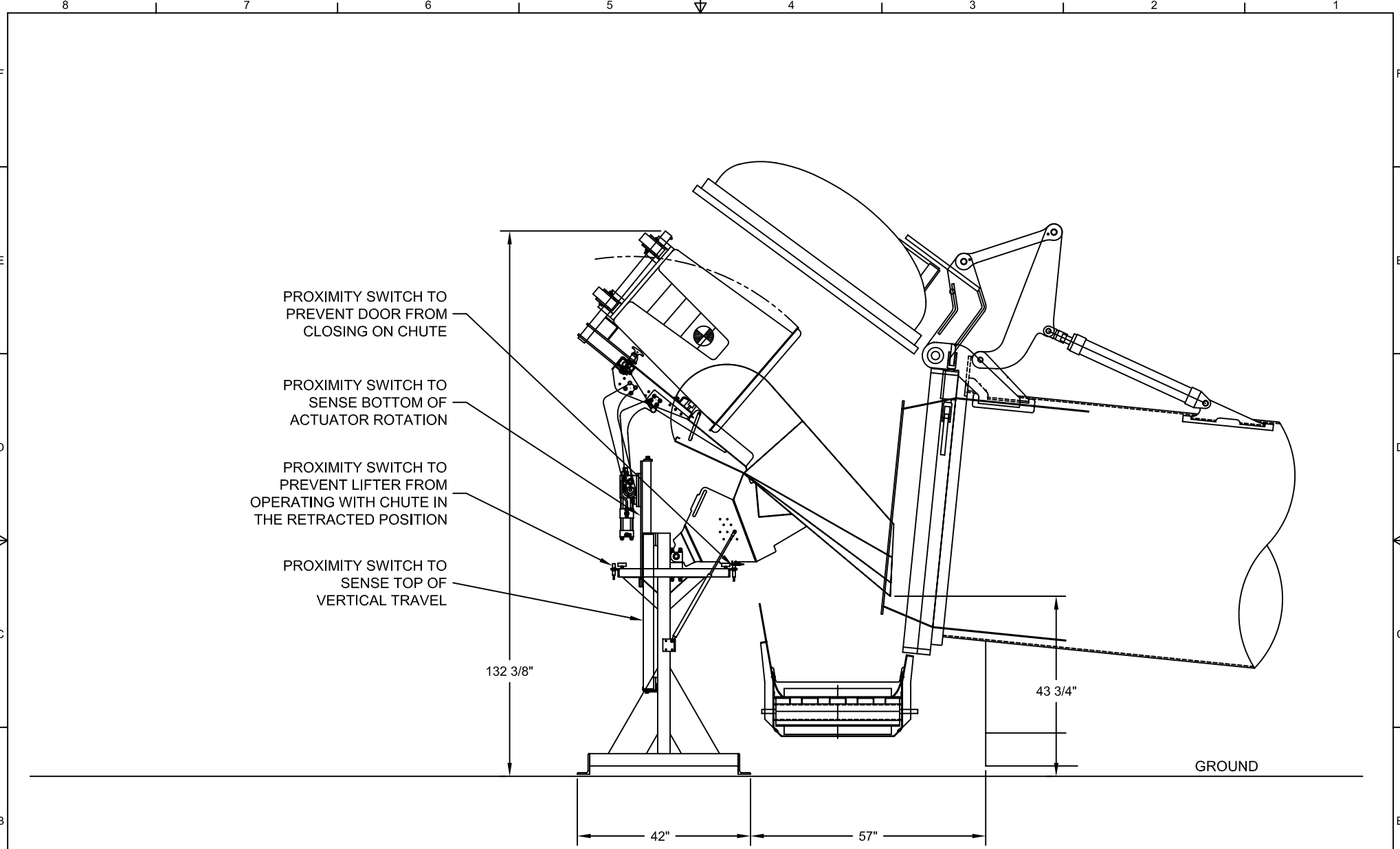
CUSTOMER APPROVAL DRAWING	
This drawing is private and confidential communication and the property of BAYNE MACHINE WORKS, INC., Greenville, S.C. It MUST NOT be copied or lent without consent of BAYNE MACHINE WORKS, INC.	SUBMITTED FOR YOUR APPROVAL This proposal drawing will not be released for production without a signed approval. Please review this drawing and the product shown carefully and mark all changes required.
This drawing supersedes all drawings of previous issues. Destroy all drawings of this part number issued prior to this date: 12/03/2009	Name _____ Date _____ Title _____ Company _____

<b>CONFIDENTIAL</b>		UNLESS OTHERWISE SPECIFIED DIMENSIONS ARE IN INCHES LINEAR TOLERANCES: FRACTIONAL ±1/32 TWO PLACE DECIMAL ±.015 THREE PLACE DECIMAL ±.005 ANGULAR TOLERANCES: MACHINED ±0.25 DEG BEND ±1.00 DEG		<b>BAYNE MACHINE WORKS, INC.</b> 910 FORK SHOALS ROAD - GREENVILLE, SC 29605 - 864.288.3877	
THE INFORMATION CONTAINED IN THIS DRAWING IS THE SOLE PROPERTY OF BAYNE MACHINE WORKS, INC. AND IS RECALLABLE AT ANY TIME. IT MUST NOT BE COPIED OR USED DETRIMENTALLY TO THE INTEREST OF BAYNE MACHINE WORKS, INC.		TITLE MWDP-2 SPECIFICATIONS			
MATERIAL		DRAWN BY CTT	DATE 12/03/2009	SCALE NONE	SHEET OF 1 3
QTY	FINISH	WEIGHT	CHECKED BY	DATE	DWG NO Q5800039
					REV -



CUSTOMER APPROVAL DRAWING	
This drawing is private and confidential communication and the property of BAYNE MACHINE WORKS, INC., Greenville, S.C. It MUST NOT be copied or lent without consent of BAYNE MACHINE WORKS, INC.	<b>SUBMITTED FOR YOUR APPROVAL</b>
This drawing supersedes all drawings of previous issues. Destroy all drawings of this part number issued prior to this date: 12/03/2009	This proposal drawing will not be released for production without a signed approval. Please review this drawing and the product shown carefully and mark all changes required.
Name _____ Date _____	Title _____ Company _____

<b>CONFIDENTIAL</b>		UNLESS OTHERWISE SPECIFIED DIMENSIONS ARE IN INCHES		<b>BAYNE MACHINE WORKS, INC.</b>	
THE INFORMATION CONTAINED IN THIS DRAWING IS THE SOLE PROPERTY OF BAYNE MACHINE WORKS, INC. AND IS RECALLABLE AT ANY TIME. IT MUST NOT BE COPIED OR USED DETRIMENTALLY TO THE INTEREST OF BAYNE MACHINE WORKS, INC.		LINEAR TOLERANCES: FRACTIONAL ±1/32 TWO PLACE DECIMAL ±.015 THREE PLACE DECIMAL ±.005		910 FORK SHOALS ROAD - GREENVILLE, SC 29605 - 864.288.3877	
ANGULAR TOLERANCES: MACHINED ±.25 DEG BEND ±1.00 DEG		TITLE		MWDP-2 SPECIFICATIONS	
MATERIAL		DRAWN BY	DATE	SCALE	SHEET OF
		CTT	12/03/2009	NONE	2 3
QTY	FINISH	WEIGHT	CHECKED BY	DATE	DWG NO
					Q5800039
					REV
					-



CUSTOMER APPROVAL DRAWING	
This drawing is private and confidential communication and the property of BAYNE MACHINE WORKS, INC., Greenville, S.C. It MUST NOT be copied or lent without consent of BAYNE MACHINE WORKS, INC.	<b>SUBMITTED FOR YOUR APPROVAL</b>
This drawing supersedes all drawings of previous issue. Destroy all drawings of this part number issued prior to this date: 12/03/2009	This proposal drawing will not be released for production without a signed approval. Please review this drawing and the product shown carefully and mark all changes required.
Name _____ Date _____	Title _____ Company _____

<b>CONFIDENTIAL</b>		UNLESS OTHERWISE SPECIFIED DIMENSIONS ARE IN INCHES		<b>BAYNE MACHINE WORKS, INC.</b>	
THE INFORMATION CONTAINED IN THIS DRAWING IS THE SOLE PROPERTY OF BAYNE MACHINE WORKS, INC. AND IS RECALLABLE AT ANY TIME. IT MUST NOT BE COPIED OR USED DETRIMENTALLY TO THE INTEREST OF BAYNE MACHINE WORKS, INC.		LINEAR TOLERANCES: FRACTIONAL ±1/32 TWO PLACE DECIMAL ±.015 THREE PLACE DECIMAL ±.005		910 FORK SHOALS ROAD - GREENVILLE, SC 29605 - 864.288.3877	
ANGULAR TOLERANCES: MACHINED ±.025 DEG BEND ±1.00 DEG		TITLE		MWDP-2 SPECIFICATIONS	
MATERIAL		DRAWN BY	DATE	SCALE	SHEET OF
		CTT	12/03/2009	NONE	3 3
QTY	FINISH	WEIGHT	CHECKED BY	DATE	DWG NO
					Q5800039
				REV	
					-