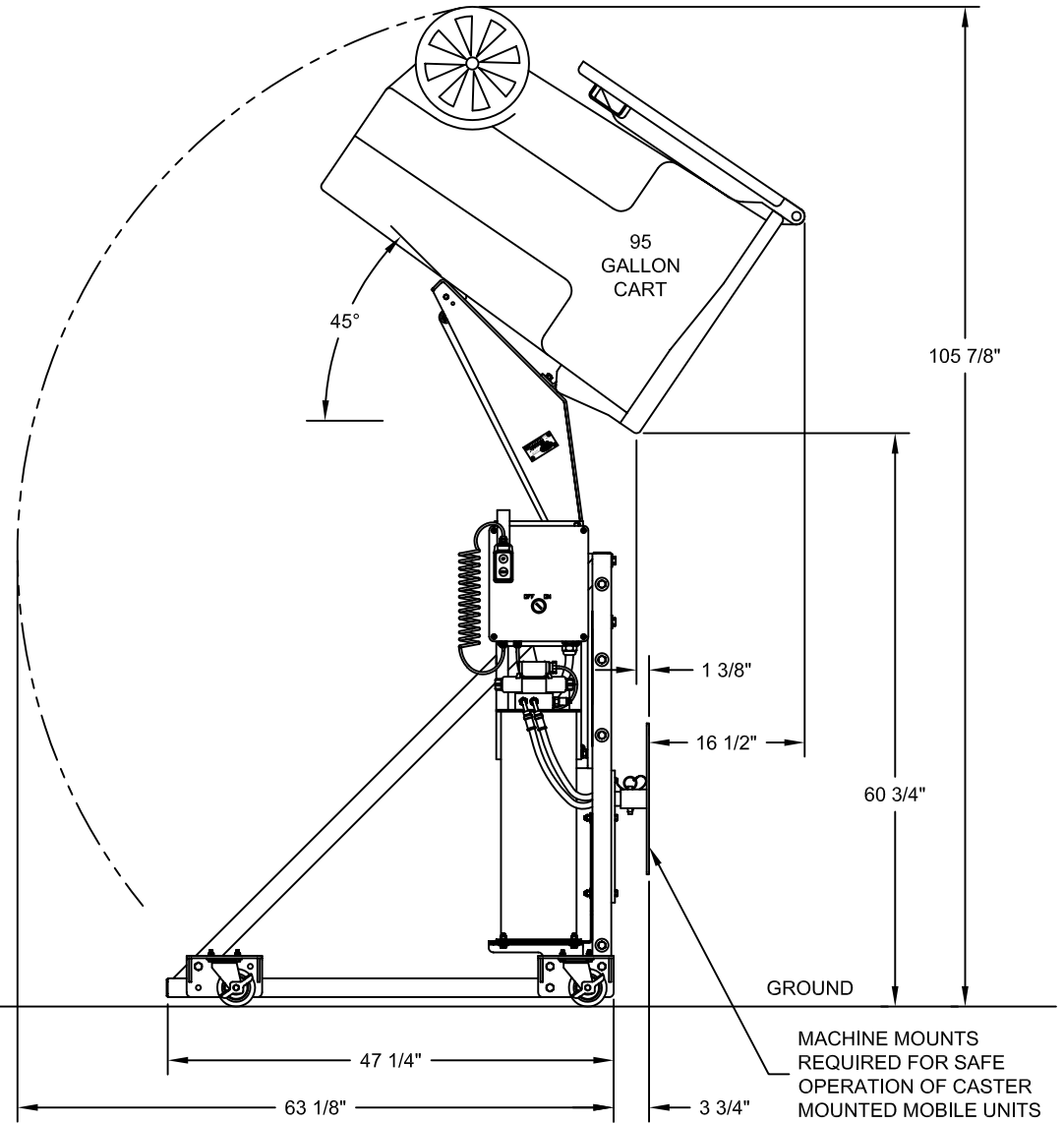
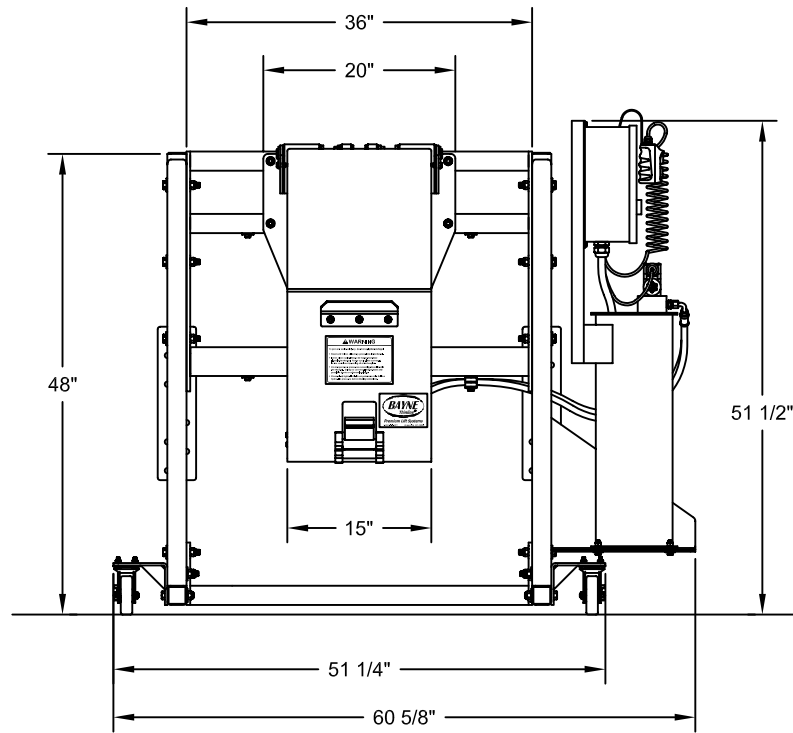


- NOTE:**
1. COMPATIBLE CONTAINERS:
ANSI Z245.60-2008 TYPE B CONTAINERS (domestic 2-bar carts)
 2. LIFT CAPACITY: 750 lbs @ 2500 PSI
 3. CYCLE TIME: 12 SECONDS @ 1.8 GPM
 4. POWER UNIT: 5 HP MOTOR (460V three-phase)
1.8 GPM GEAR PUMP
4 GALLON OIL RESERVOIR
2500 PSI MAXIMUM PRESSURE
KEYED ON/OFF SWITCH
HAND HELD PENDENT CONTROL w/ 6' CORD
 5. ALL DIMENSIONS ARE APPROXIMATE.



MACHINE MOUNTS
REQUIRED FOR SAFE
OPERATION OF CASTER
MOUNTED MOBILE UNITS

CUSTOMER APPROVAL DRAWING	
<p>This drawing is private and confidential communication and the property of BAYNE MACHINE WORKS, INC., Greenville, S.C. It MUST NOT be copied or lent without consent of BAYNE MACHINE WORKS, INC.</p> <p>This drawing supersedes all drawings of previous issues. Destroy all drawings of this part number issued prior to this date: 05/13/2010</p>	<p>SUBMITTED FOR YOUR APPROVAL</p> <p>This proposal drawing will not be released for production without a signed approval. Please review this drawing and the product shown carefully and mark all changes required.</p> <p>Name _____ Date _____</p> <p>Title _____ Company _____</p>

CONFIDENTIAL		UNLESS OTHERWISE SPECIFIED DIMENSIONS ARE IN INCHES		BAYNE MACHINE WORKS, INC.	
THE INFORMATION CONTAINED IN THIS DRAWING IS THE SOLE PROPERTY OF BAYNE MACHINE WORKS, INC. AND IS RECALLABLE AT ANY TIME. IT MUST NOT BE COPIED OR USED DETRIMENTALLY TO THE INTEREST OF BAYNE MACHINE WORKS, INC.		LINEAR TOLERANCES: FRACTIONAL ±1/32 TWO PLACE DECIMAL ±.015 THREE PLACE DECIMAL ±.005		910 FORK SHOALS ROAD - GREENVILLE, SC 29605 - 864.288.3877	
		ANGULAR TOLERANCES: MACHINED ±0.25 DEG BEND ±1.00 DEG		TITLE HLIF-CAS-460-RHC SPECIFICATIONS	
MATERIAL		DRAWN BY CTT	DATE 05/13/2010	SCALE NONE	SHEET OF 1 1
QTY	FINISH	WEIGHT	CHECKED BY	DATE	DWG NO H5800007
					REV -