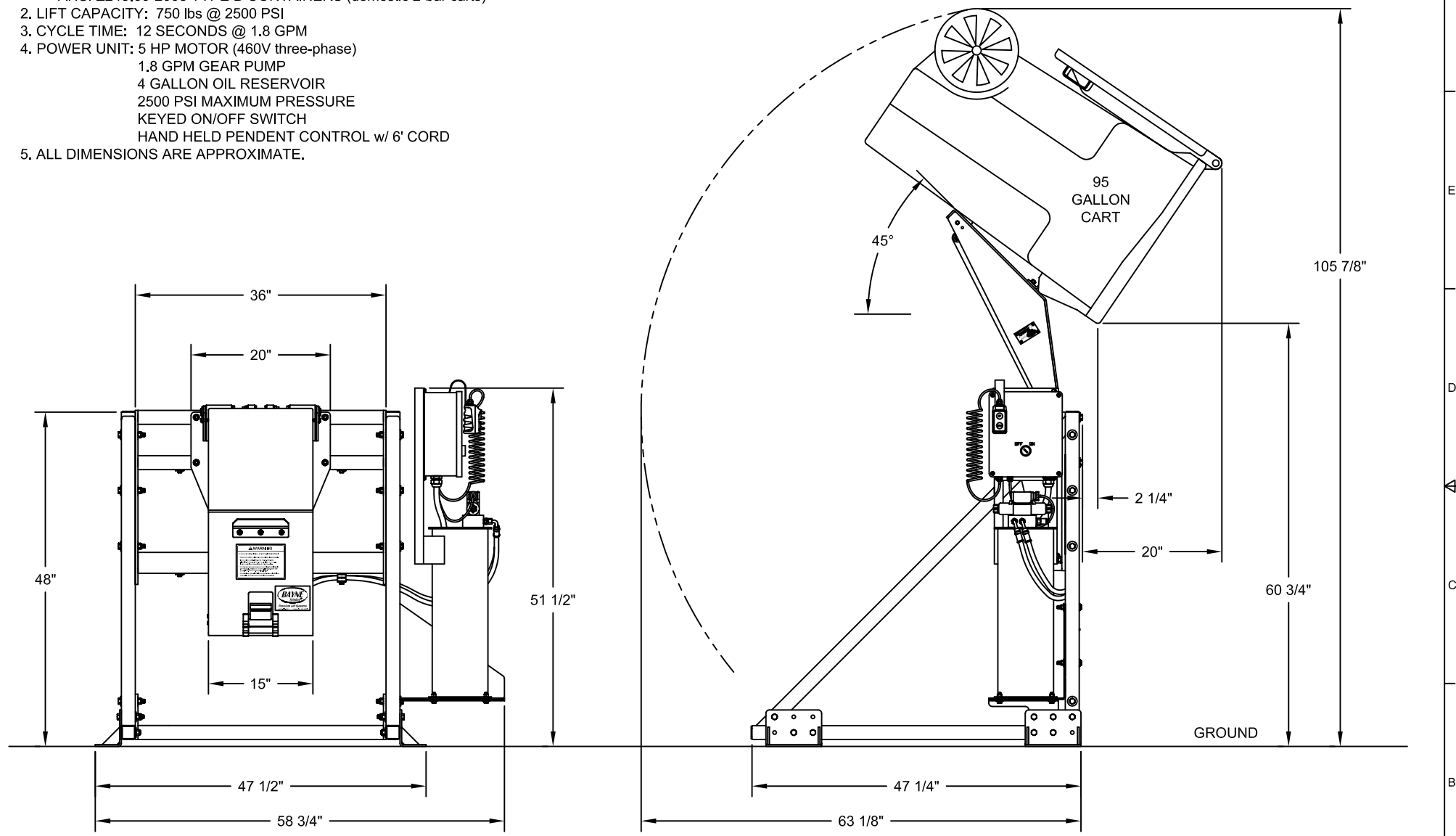


NOTE:

1. COMPATIBLE CONTAINERS:
ANSI Z245.60-2008 TYPE B CONTAINERS (domestic 2-bar carts)
2. LIFT CAPACITY: 750 lbs @ 2500 PSI
3. CYCLE TIME: 12 SECONDS @ 1.8 GPM
4. POWER UNIT: 5 HP MOTOR (460V three-phase)
1.8 GPM GEAR PUMP
4 GALLON OIL RESERVOIR
2500 PSI MAXIMUM PRESSURE
KEYED ON/OFF SWITCH
HAND HELD PENDENT CONTROL w/ 6' CORD
5. ALL DIMENSIONS ARE APPROXIMATE.



CUSTOMER APPROVAL DRAWING	
This drawing is private and confidential communication and the property of BAYNE MACHINE WORKS, INC., Greenville, S.C. It MUST NOT be copied or lent without consent of BAYNE MACHINE WORKS, INC.	SUBMITTED FOR YOUR APPROVAL This proposal drawing will not be released for production without a signed approval. Please review this drawing and the product shown carefully and mark all changes required.
This drawing supersedes all drawings of previous issues. Destroy all drawings of this part number issued prior to this date:	Name _____ Date _____ Title _____ Company _____
05/13/2010	

CONFIDENTIAL		UNLESS OTHERWISE SPECIFIED DIMENSIONS ARE IN INCHES LINEAR TOLERANCES: FRACTIONAL: ±1/32 TWO PLACE DECIMAL: ±.015 THREE PLACE DECIMAL: ±.005 ANGULAR TOLERANCES: MACHINED: ±0.25 DEG BEND: ±1.00 DEG		BAYNE MACHINE WORKS, INC. 910 FORK SHOALS ROAD - GREENVILLE, SC 29605 - 864.288.3877	
THE INFORMATION CONTAINED IN THIS DRAWING IS THE SOLE PROPERTY OF BAYNE MACHINE WORKS, INC. AND IS RECALLABLE AT ANY TIME. IT MUST NOT BE COPIED OR USED DETRIMENTALLY TO THE INTEREST OF BAYNE MACHINE WORKS, INC.					
TITLE HLIF-RGD-460-RHC SPECIFICATIONS					
DRAWN BY		DATE		SCALE	
CTT		05/13/2010		NONE	
SHEET		OF		REV	
1		1		-	
QTY		FINISH		WEIGHT	
CHECKED BY		DATE		DWG NO	
				Q5800021	