



***Premium Lift Systems***

## **OPERATION AND PARTS MANUAL**



MODEL NUMBER : **BTL 1114**

---

PART NUMBER : **1900-0006**

---

SERIAL NUMBER : \_\_\_\_\_

**BAYNE MACHINE WORKS, INC.**  
910 FORK SHOALS ROAD  
GREENVILLE SC, 29605  
WEBSITE: [www.baynethinline.com](http://www.baynethinline.com)

**PHONE: 864.288.3877**  
**TOLL FREE: 800.535.2671**  
**FAX: 864.458.7519**  
**E-MAIL: [sales@baynethinline.com](mailto:sales@baynethinline.com)**

LICENSED UNDER ONE OR MORE OF  
THE FOLLOWING U.S. AND CANADIAN PATENTS:

5,503,512	4,773,812	1,327,765	5,447,405
1,335,648	5,308,211	5,333,984	5,826,485

## **TABLE OF CONTENTS**

	Page
I. <b>THINLINE</b> <sup>®</sup> Safety _____	3
II. <b>THINLINE</b> <sup>®</sup> Specifications _____	4
III. <b>THINLINE</b> <sup>®</sup> Installation Instructions _____	6
IV. <b>THINLINE</b> <sup>®</sup> Operation Instructions _____	13
V. <b>THINLINE</b> <sup>®</sup> Diverter Valve Information _____	15
VI. <b>THINLINE</b> <sup>®</sup> Maintenance Instructions _____	17
VII. <b>THINLINE</b> <sup>®</sup> Actuator Assembly Instructions _____	18
VIII. Trouble-shooting Chart _____	27
IX. Appendix A	
1. Unit Assembly Drawings _____	31
2. Mounting Height Drawing _____	38
3. Hydraulic Schematic Drawings _____	40
4. Diverter Valve Drawings _____	42
5. Hand Valve Drawings _____	44
6. Lubrication Drawing _____	46

SAFETY ( WI-0070-A)  
Bayne *THINLINE*<sup>®</sup> Premium Lift Systems

To prevent serious injury, death or equipment damage, read and understand this entire manual before installing, operating, repairing or adjusting your Bayne THINLINE<sup>®</sup> Premium Lift System. Those using and maintaining this equipment must be thoroughly trained and familiar with the product.

**I. Manual:**

This manual must be kept in a location that is readily available for those who operate or maintain this equipment. Additional copies may be obtained from your local dealer or directly from Bayne THINLINE<sup>®</sup> Premium Lift Systems.

**II. Lockout/Tagout Procedures:**

All applicable OSHA lockout/tagout regulations must be followed when working on this equipment. Failure to comply with these procedures can result in serious injury or death.

**III. Safety Decals:**

Safety decals attached to your Bayne THINLINE<sup>®</sup> Premium Lift System warn of hazards related to the use of this equipment. Operators must read and follow all safety instructions while using this equipment. If the safety decals are not clearly readable, new decals may be obtained from your local dealer or directly from Bayne THINLINE<sup>®</sup> Premium Lift Systems.

SPECIFICATIONS ( WI-0081-A )  
Bayne **THINLINE**<sup>®</sup> Premium Lift Systems

- A.** Rotary Actuator - rack and pinion style design.
- Rack, pinion, and shaft bearings are constantly lubricated by the hydraulic oil for extended life.
  - Body and caps are made of high quality ductile iron.
  - Pinion output shaft and racks are made of high tensile alloy steel.
  - The rotary actuator provides smooth motion throughout the lift cycle, which results in longer cart life with virtually no cart damage or abuse.
- B.** Arm bearings are made of a composite material which provides superior compression strength along with self-lubrication, thus eliminating the need to grease the arm bearings.
- C.** The THINLINE<sup>®</sup> lift unit can measure as little as 5” thick from the front of the mainframe to the front of the faceplate depending on the types of arms used. This allows for easy dumping of large commercial containers without interference.
- D.** The faceplate is normally at 45 degrees in the dump position and extends 13” to 15” from the back of the mainframe into the hopper or container opening. This places the cart or barrel 16” to 18” into the truck or container opening thus reducing any potential spillage of materials.
- E.** Cycle times for safe, fast, efficient service.
- **6 - 8 seconds** for rear-load and side-load units
  - **8 - 10 seconds** for units with 9” and 15” vertical lifts
  - **10 - 12 seconds** for stationary, recycling, and double wide, and 24” vertical units
  - **15 - 30 seconds** for 3300 series and 3300 series stationary units
- Note : Cycle time is controlled by flowrate, as flowrate increases, cycle times decrease.*
- Warning : Never exceed the cycle times listed above. In order to avoid injury and maintain manufacturer’s warranty never operate outside of these recommendations.**
- F.** Recommended flowrates are as follows:
- **2 to 2 1/2 GPM** for 1100 series units
  - **2 to 4 GPM** for 2200 series units
  - **2 1/2 to 6 GPM** for 3300 series units
- G.** Hydraulic pressure requirements are as follows:
- **2000 to 2500 PSI** normal working pressure
  - **3000 PSI** maximum pressure
- H.** All lifters can be a bolt on type installation for easy, quick maintenance and less downtime.

- I. All parts are manufactured and kept in stock at Bayne Machine Works, Inc. for fast response to customer request.
- J. Two ( 2 ) year limited warranty from date of delivery on all units and models when properly maintained and operated within the recommended cycle time.

*All lift units and parts are inspected by our Quality Control Department before shipment to insure that you always receive the highest quality available in the lift business.*

For more information, please contact us at 1/800/535-2671 or by fax at 1/864/458-7519.

# INSTALLATION INSTRUCTIONS ( WI-0100-C)

## Bayne *THINLINE*<sup>®</sup> Premium Lift Systems

The following information is intended to be a **GENERAL GUIDE** to installing the Bayne *THINLINE*<sup>®</sup> lifter on a typical refuse truck. Before starting the installation, read these instructions completely. **ALWAYS** use the proper tools, lift devices, and personal protective equipment to prevent injury while performing the installation.

**NOTE:** If a Bayne *THINLINE*<sup>®</sup> Tap-In Kit was also acquired for this installation, refer to the installation instructions included in the Tap-In Kit manual for more detailed information.

### IV. Mounting lifter(s) on the truck :

1. The truck should be emptied and cleaned before any installation. The truck should be parked on a level solid surface, a concrete floor if possible.
2. All lights, tags, steps, etc. that will interfere with the installation should be removed and/or relocated.
3. Position the lifter(s) on the sill of the truck per *figure I-1* and mounting height drawing ( *Appendix A* ) and tack weld in place. If using an “S” unit for bolt on applications, tack weld the mounting plate in place and attach the lifter to the mounting plate using the 1/2” studs. ( *tack weld only at this time so that adjustments can be made if necessary.* ).

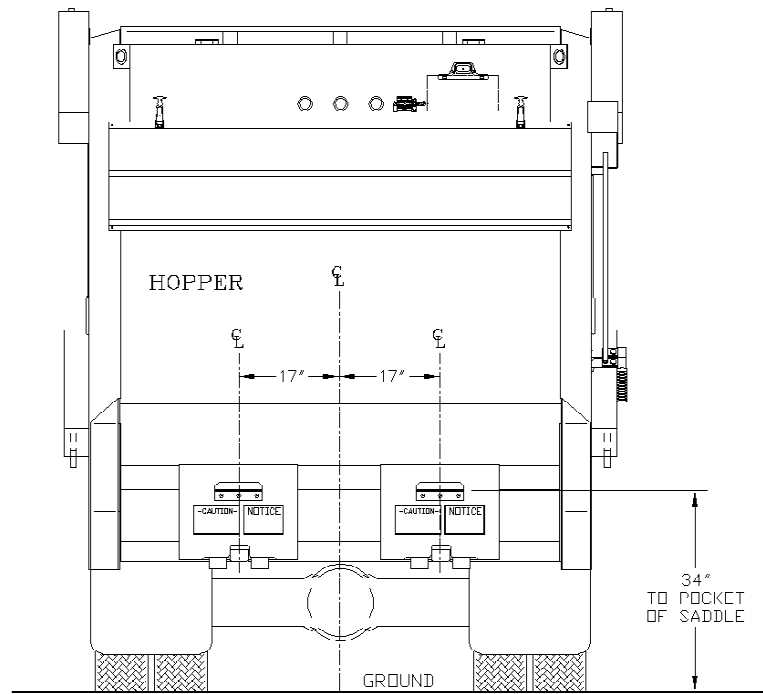
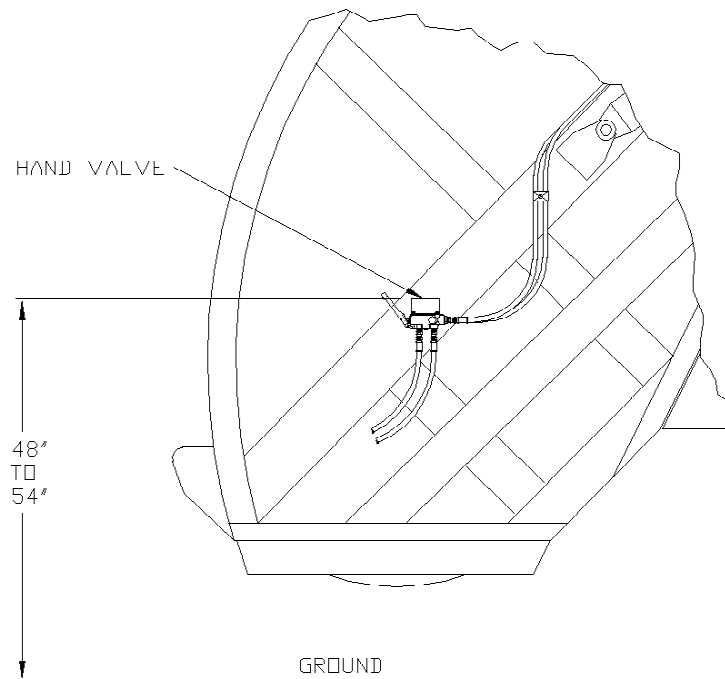


figure I-1

## V. Mounting hand valve(s) on the truck :

1. Choose and mark an acceptable location(s) on the side(s) of the truck to mount the hand valve assembly(s) (*figure I-2*).
2. Remove the mounting bracket(s) from the hand valve assembly(s) and weld to the truck.
3. After the weld has cooled, paint the mounting bracket(s) to match the truck color.
4. After the paint has dried, reassemble the hand valve assembly(s) on the mounting bracket(s).



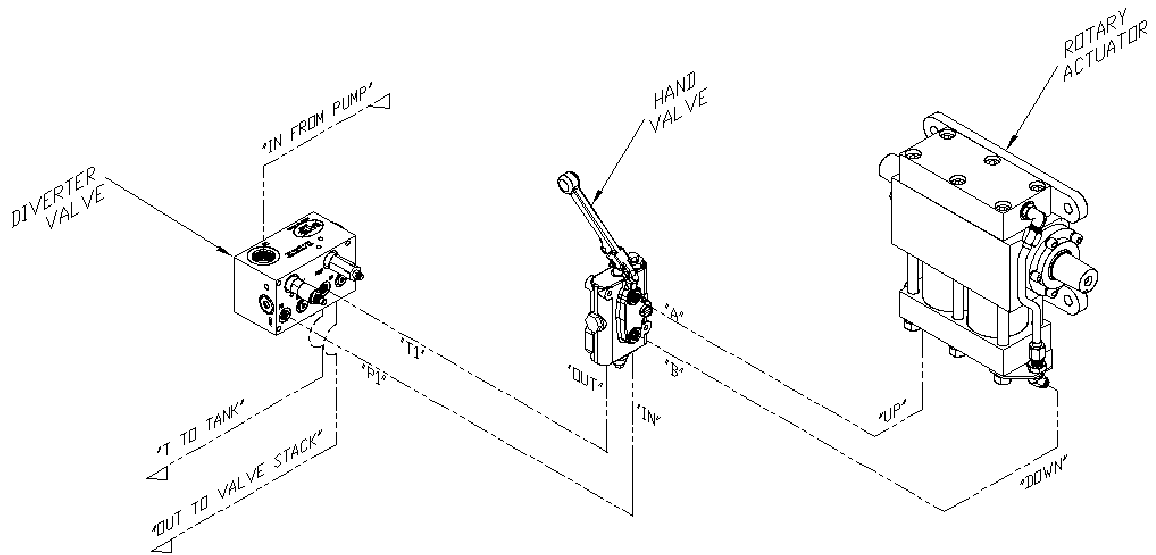
**figure I-2**

## VI. Mounting diverter valve on the truck :

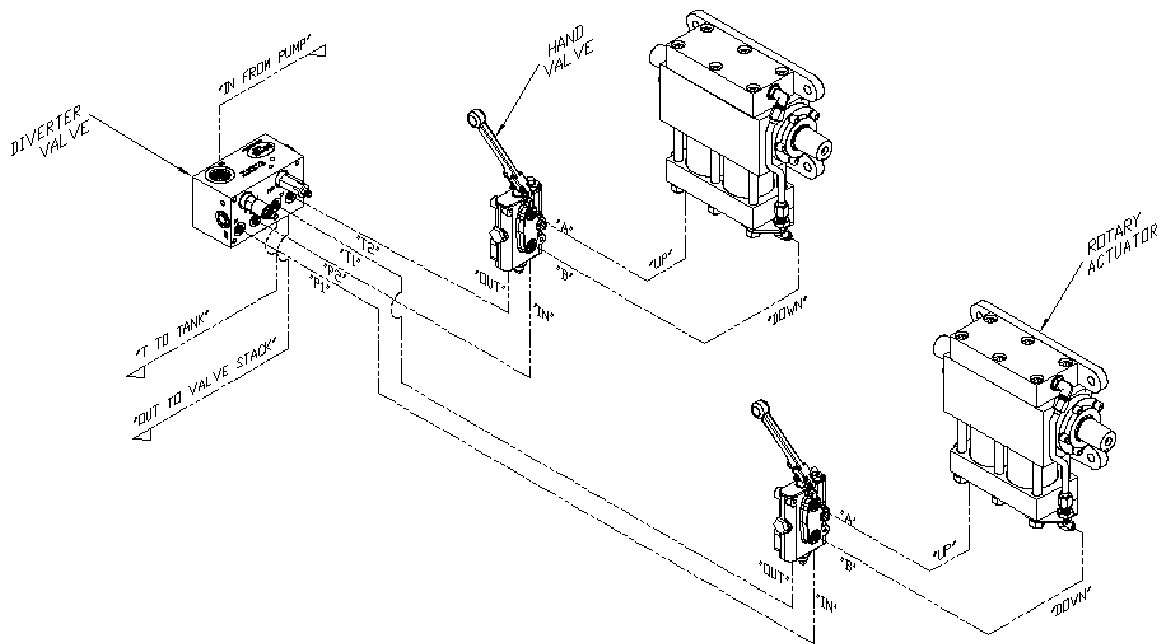
1. Choose and mark an acceptable location to mount the diverter valve assembly. This location should be near the truck's main hydraulic pressure and tank lines on the same area of the truck where the lifter is mounted.
2. Weld diverter valve mounting bracket to the truck.
3. After the weld has cooled, paint the mounting bracket to match the truck color.
4. After the paint has dried, bolt the diverter valve to the mounting bracket using the 1/4" bolts, washers, and elastic lock nuts.

## VII. Making Hydraulic Connections :

*Before attempting any hydraulic connections, turn the truck's engine off and release all hydraulic pressure from the system. Refer to the hydraulic layouts ( figure I-3) and hydraulic schematics ( Appendix A ) while performing the following steps. Always clean & lubricate fitting threads before installation.*



*Single Lifter Installation*



*Dual Lifter Installation*

**figure I-3**

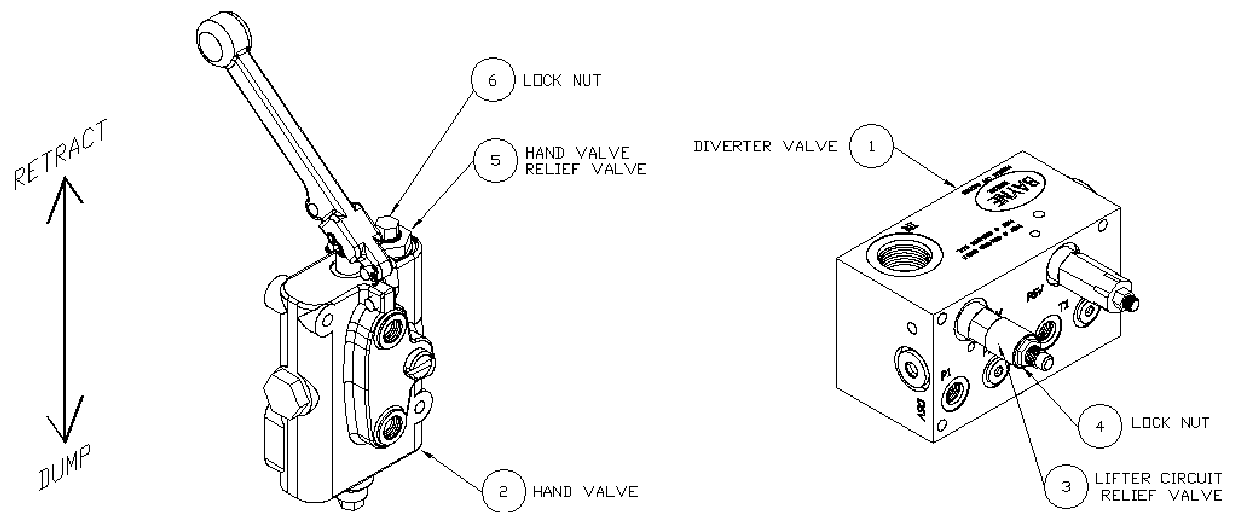


1. Cut or disconnect truck's main hydraulic pressure line and install the diverter valve in series using the "IN" and "OUT" ports.
2. Connect the "T" port on the diverter valve to the truck's hydraulic tank line with an appropriate size line to handle the lifter system flow. (approximately 5 GPM max.)
3. Connect the "P1" port on the diverter valve to the "IN" port on the hand valve.  
*If installing dual lifters, connect the "P2" port on the diverter valve to the "IN" port on the other hand valve.*
4. Connect the "T1" port on the diverter valve to the "OUT" port on the hand valve.  
*If installing dual lifters, connect the "T2" port on the diverter valve to the "OUT" port on the other hand valve.*
5. Connect the "A" port on the hand valve(s) to the "UP" port of the rotary actuator(s).
6. Connect the "B" port of the hand valve(s) to the "DOWN" port of the rotary actuator(s).
7. Disassemble each hose clamp assembly and position weld plates where needed and weld in place.
8. After the weld has cooled, paint the weld plates to match the truck color.
9. After the paint has dried, reassemble the hose clamp assemblies around the hoses.

#### **VIII. Adjusting relief valve settings :**

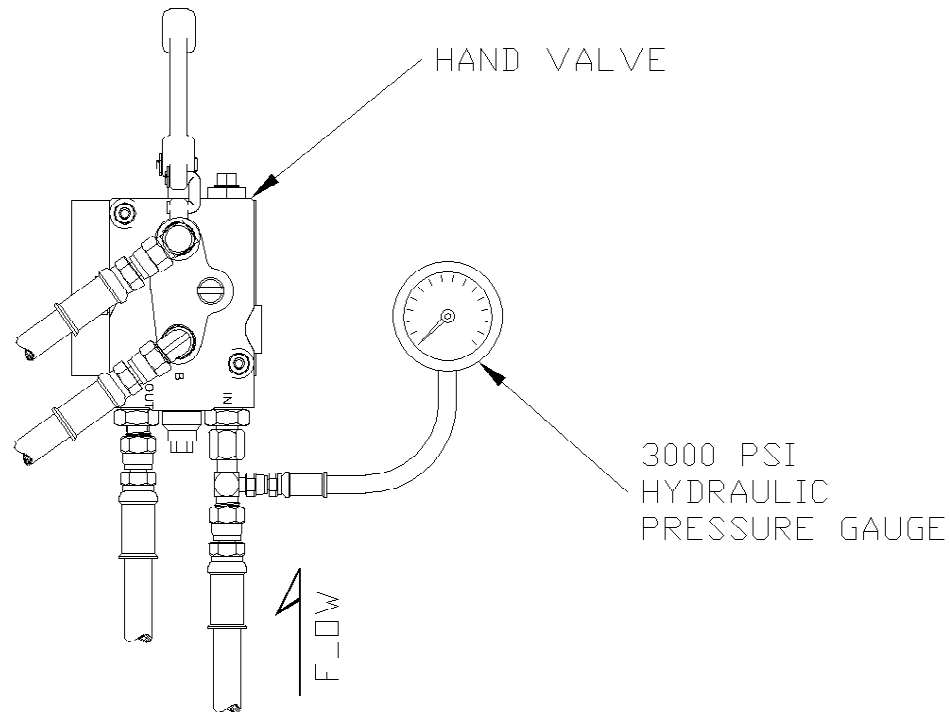
*The diverter valve ( 1 ) ( figure I-4 ) supplies the cart lifter hydraulic system with approximately 2 GPM of oil flow. This diverter valve is equipped with a lifter circuit relief valve ( 3 ) set at 2300 psi, to prevent the diverter valve from shutting down if a blockage occurs in the lifter circuit. There is also a relief valve ( 5 ) set at 1800 psi in the hand valve ( 2 ) to protect the lifter from excessive pressure. These relief valves are preset from the factory to operate properly on most trucks with a system pressure between 2300 and 2500 psi without any adjustment. However, if any adjustment is necessary, follow these instructions.*

**WARNING :** *Bayne equipment is rated for a maximum pressure of 3000 psi. Operation at pressures above 3000 psi may damage equipment and cause personal injury. In order to avoid injury and maintain manufacturer's warranty never operate above 3000 psi.*



**figure I-4**

1. Determine the truck's system pressure setting.
2. Loosen the lock nut(s) ( 6 ) ( *figure I-4* ) from the hand valve relief valve(s) ( 5 ) and turn the adjustment screw(s) clockwise until it bottoms out.
3. Loosen the lock nut ( 4 ) ( *figure I-4* ) on the lifter circuit relief valve ( 3 ) and turn the adjustment screw clockwise until it bottoms out.
4. Start the truck's engine and engage the hydraulic system.
5. Operate the handle on the hand valve ( 2 ) ( *figure I-4* ) back and forth a few times to bleed all air from the lifter hydraulic system.
6. Turn the truck's engine off and release all hydraulic pressure from the system.
7. Install a 3000 psi hydraulic pressure gauge with the necessary adapter in the hydraulic line connected to the "IN" port of the hand valve as shown in figure I-5. *If installing dual lifters, install the hydraulic gauge at either one of the hand valves.*



**figure I-5**

8. Start the truck's engine and engage the hydraulic system.
9. **Setting the diverter valve lifter circuit relief valve :**
  - a) Have an assistant hold the handle on the hand valve ( 2 ) ( *figure I-4* ) ( *with pressure gauge installed at the "IN" port* ) in the "retract" position to show pressure on the gauge.
  - b) Turn the pressure relief adjusting screw on the lifter circuit relief valve ( 3 ) counter-clockwise until the pressure reading on the gauge is either 100 psi less than the truck system pressure or 2300 psi, which ever is the lowest.
  - c) Release the handle on the hand valve.

## 10. Setting the hand valve relief valve(s) :

- a) Hold the handle on the hand valve ( 2 ) ( *figure I-4* ) ( *with pressure gauge installed at the “IN” port* ) in the “retract” position to show pressure on the gauge.
  - b) Turn the pressure relief adjusting screw on the hand valve relief valve ( 5 ) counter-clockwise until the pressure reading on the gauge is either 200 psi less than truck system pressure or 1800 psi, which ever is the lowest.
  - c) Release the handle on the hand valve.
  - d) Turn the truck’s engine off and release all hydraulic pressure from the system.
  - e) Remove the hydraulic pressure gauge from the hydraulic line connected to the “IN” port of the hand valve.
  - f) *For dual lifters, install the hydraulic pressure gauge in the “IN” port of the other hand valve as shown in figure I-5, start the truck’s engine, engage the hydraulic system, and repeat step 10.*
11. Reinstall the cap nut(s) ( 8 ) ( *figure I-4* ) on the hand valve relief valve(s) ( 5 ) to secure the correct pressure setting(s).
  12. Tighten the lock nut ( 4 ) ( *figure I-4* ) on the lifter circuit relief valve ( 3 ) to secure the correct pressure setting.
  13. The hydraulic circuit pressures are now set for optimum performance.

## VI. Final operation and mounting:

1. Start the truck’s engine and engage the hydraulic system.
2. Place a cart on each lifter and operate to make sure there are no clearance problems and that the lifter engages the cart properly. Make any adjustments to the mounting position of the lifter(s) to ensure correct operation.
3. After locating an acceptable mounting position, complete the welding of the lifter(s) to the truck.

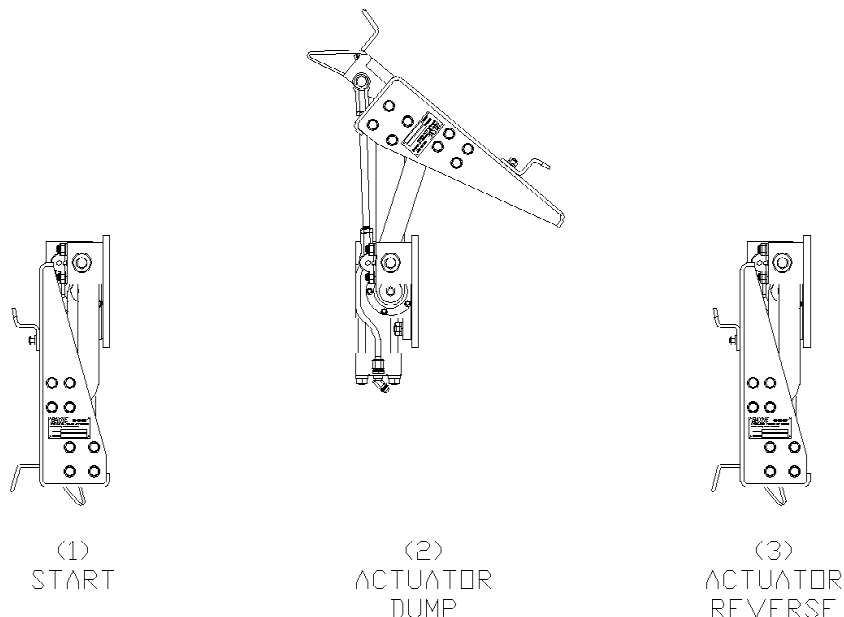
## OPERATION INSTRUCTIONS ( WI-0120-D )

### Bayne *THINLINE*<sup>®</sup> Premium Lift Systems

The Bayne *THINLINE*<sup>®</sup> Premium Lift System is a high quality durable cart lifter built to meet your industry's requirements. To insure the safety of all operators of this equipment, please read this manual carefully before operating the lifter. ***FAILURE TO COMPLY WITH INSTRUCTIONS COULD RESULT IN PERSONAL INJURY AND/OR PROPERTY DAMAGE.***

The operating stages ( figure O-1 ) in the cycle of the cart lifter are as follows:

- 1) ***START*** - The cart to be dumped is placed on the lifter.
- 2) ***ACTUATOR DUMP*** - The rotary actuator cycles to dump the contents of the cart into the box. During this cycle, the slider latch automatically extends to "lock" the cart to the lifter.
- 3) ***ACTUATOR REVERSE*** - The rotary actuator reverses its cycle returning the cart to the start position. The slider latch automatically retracts to "unlock" the cart from the lifter.



**figure O-1**

**Warning: Exceeding the recommended cycle time on any lifter will void the manufacturer's warranty**

The rotational motions of the cart lifter are controlled with the use of a hand valve. Moving the handle on the hand valve in one direction will cause the lifter to perform the actuator dump stage ( figure O-1 ). Moving the handle in the opposite direction will cause the lifter to perform the actuator reverse stage.

## SAFETY ZONES

### Stand Clear Zone

To prevent serious injury or death, operators and bystanders should remain outside the Stand Clear Zone ( figure O-2 ) at all times during the operating cycle of the lifter. If at any point during the cycle persons enter this area, the operator must stop all motion of the lifter until the area is cleared.

### Dump Zone

To prevent serious injury or death, operators and bystanders should remain outside the Dump Zone ( figure O-2 ) at all times. If it becomes necessary to enter this area, all applicable OSHA lockout/tagout regulations must be followed.

### Operator Area

To provide a clear, unobstructed view of both the Stand Clear Zone and Dump Zone, operators should remain within the Operator Area ( figure O-2 ) at all times during the operating cycle of the lifter.

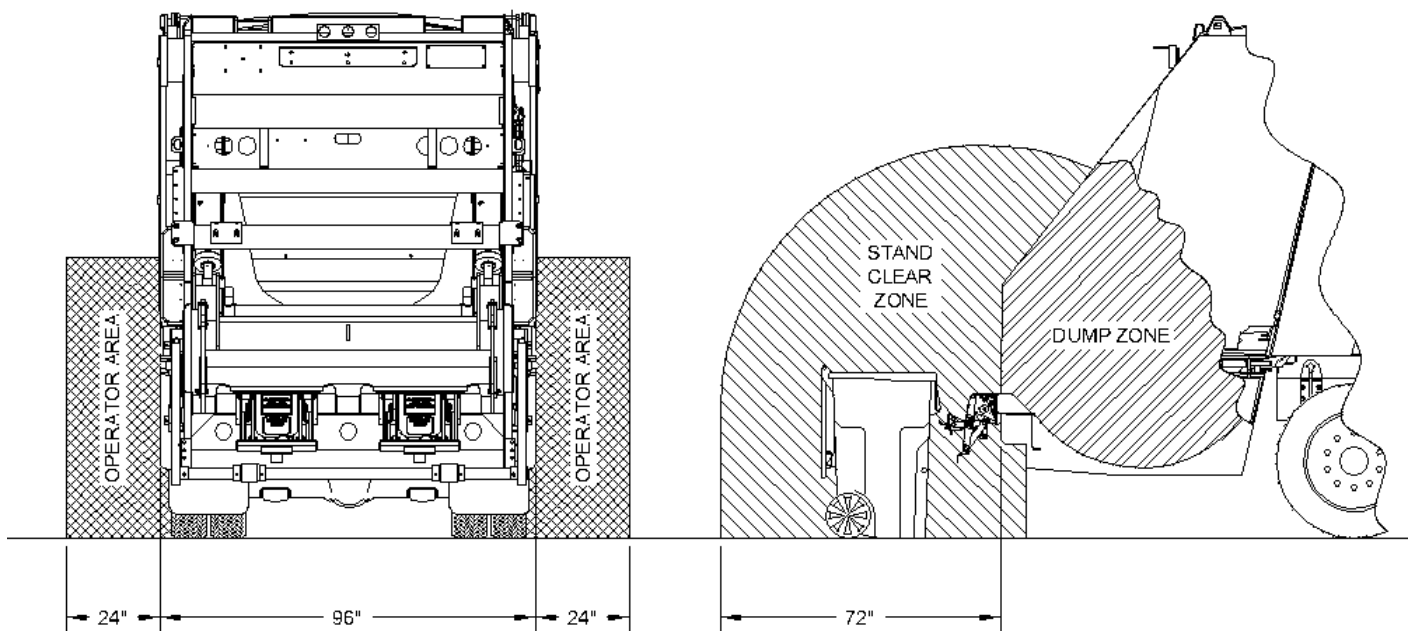


figure O-2

6091/6092-0700 DIVERTER VALVE  
OPERATION AND INSTALLATION INFORMATION  
( WI-0026 )

Bayne *THINLINE*<sup>®</sup> Premium Lift Systems

The Bayne diverter valve establishes priority flow to the lifter circuit “P1” and “P2” ports and bypasses oil to the “OUT” port, which typically supplies flow to the remainder of the truck’s hydraulic circuit. This bypass occurs only after the lifter circuit is satisfied. The priority flow is controlled by the flow regulator cartridge (FR1) (and FR2 in dual applications) in combination with the differential pressure sensing valve (DPS). This allows the valve to maintain constant flow regardless of changes in load pressure or volume flow rate. Since both the lifter circuit and bypass flow can be utilized in the operation of the truck regardless of which pressure is greater, a single pump can be used to supply two circuits or operations.

The lifter circuit flow is regulated and maintained by the flow regulator cartridge (FR1) (and FR2 in dual applications). The differential pressure sensing valve (DPS), rated for 75 gpm of flow and 3000 psi of pressure, is operated by an internal spring and dampening orifice (OR) which establishes a pressure drop across the block sufficient to ensure the correct operation of the flow regulator (FR1). For a dual diverter valve, a second flow regulator cartridge (FR2) is installed in the “FR2” cavity and a shuttle valve (DSV) is installed in place of the SAE plug in the “DSV” cavity. Once the pressure drop is established, a precision metered flow is provided to the tipper circuit(s) with additional flow being bypassed to the “OUT” port.

The operation of the diverter valve does not require the use of a tank line to be run to the “T” port. However, the efficiency of the block will be significantly increased if a tank line is installed. The logic circuit of the block will manage the flow of oil returning from the tipper circuit to ensure optimum performance. This is primarily controlled with the sequence valve (PSV) which is factory set and should not be adjusted. All oil returning from the tipper circuit will normally be regenerated into the outgoing flow to ensure that the downstream functions are not slowed in any way. When the downstream backpressure rises to a predetermined pressure, the block will redirect the flow to the “T” port to increase the overall efficiency of the block and reduce the pressure drop through the block. If the “T” port is connected to a tank line, the oil will be dumped through the block at a lower pressure. This allows downstream functions to operate at the highest possible pressure when pressure is being required. If the “T” port is blocked, the oil will be redirected back into the outgoing flow through the check valve (CV).

A relief circuit for the tipper function is controlled by a relief valve (RV), which is preset to 2300 psi. This can be adjusted to limit pressure to the tipper(s). This relief valve is more efficient than the relief in the hand valve and will operate with less noise. It is recommended that it be adjusted to relieve before the hand valve relief. It may also be used to limit the weight the lifter can dump. This may be beneficial in avoiding damage to cans resulting from overloading. This should be the only adjustment that the block may require. Any other adjustments should only be made after close consultation with Bayne’s Engineering Department to ensure proper operation.

## POSSIBLE PROBLEMS

1. The most common cause of valve failure is dirty oil. If debris becomes lodged in the cartridge valves they will malfunction. Recommended filtration level is between 15 and 25 microns. Many systems filter the oil on the return side. This does not guarantee clean oil going into the system. It is important to ensure that the tank vent filtration element is properly maintained as well. Very small contaminants may not cause the valve to stop functioning, but can cause “stiction” in the cartridges between the body and the moving spool. This can cause improper operation. A slow moving tipper is most likely the result of contamination in the flow regulator cartridge. A pulsating noise may be the result of contamination in the differential pressure sensing valve causing it to stick. If any valve malfunctions, remove and thoroughly clean the valve, being extremely careful not to score or abrade the “o” ring seals or moving parts of the valve. Be sure that the spool moves freely in the valve body.
2. The flow regulator cartridges (FR1 and FR2) are designed to operate at a designated pressure of 80 psi. This means that in order for the valve to function properly, a minimum of 80 psi is required from the supply line through the “IN” port of the valve. This can present a problem on trucks with a dry valve pump system. Normally in the dry (off) mode of the pump, a flow of approximately 2 gpm at 20 psi is required to circulate through the open center system of the truck. This is for pump lubrication in the off mode. When the diverter valve is placed in the main pressure line of the truck, a blockage occurs because of the differential pressure sensing valve needing 80 psi to initially open and allow the flow regulators function. The path of the lubrication oil is therefore stopped because the valve does not open. When the oil is blocked, the pump will rotate and cavitate in the lubricating oil, causing heat to build up over an extended period of time, possibly leading to premature pump failure. To prevent this problem from occurring, a “bleed line” circuit needs be installed on the truck to allow passage of the lubricating oil back to tank.
3. On front load residential truck applications, several considerations need to be noted. The Bayne hand valve is an open center valve that allows for the lifter circuit to maintain flow through the hand valve and back to the diverter valve when the lifter is not being operated. If flow is not maintained through the hand valve, the oil will constantly be relieving over the lifter circuit relief valve (RV) in the diverter valve, which can cause an increase in operating temperature. Certain front load box designs allow for the hand valve to be located on the arms of the truck which keeps the hand valve in the lifter circuit at all times to maintain flow. Most problems occur with applications where the hand valve is located on the box itself. In this situation, when the operator disconnects the hydraulic lines to the box, a blocked condition occurs in the lifter circuit. To prevent this problem, the pump must be turned off prior to disconnecting the box hydraulic lines. Once the lines have been disconnected from the box, it is necessary to connect the two lines for the hand valve to each other to functionally complete the lifter circuit. It is recommended that male and female quick disconnects be used opposite each other on the truck to provide an uninterrupted circuit. Once the lines have been connected and the circuit continued, the pump could then be turned on to continue operations.



MAINTENANCE INSTRUCTIONS ( WI-0140-A )

Bayne ***THINLINE***<sup>®</sup> Premium Lift Systems

**NOTE:**

THE MOST COMMON CAUSE OF HYDRAULIC COMPONENT FAILURE IS CONTAMINATION OF THE HYDRAULIC FLUID ( WATER, CHIPS, DIRT, ETC. ) THE Bayne ***THINLINE***<sup>®</sup> LIFT SYSTEM COMES CLEAN FROM THE FACTORY. IF REMOVED, BE SURE THE HOSES, CYLINDER AND FITTINGS ARE CLEAN BEFORE RE-INSTALLING THEM ON THE UNIT.

Inspect your cart lifter on a weekly basis for loose bolts, fittings, oil leaks, etc. Tighten loose hardware as necessary and replace necessary seals to repair oil leaks.

In order to maintain warranty and for preventive maintenance, grease all points weekly with a good multi-purpose grease at points shown in the lubrication drawing ( *APPENDIX A* ).

# BAYNE

## PREMIUM LIFT SYSTEMS

### ASSEMBLY INSTRUCTIONS

#### 1100 SERIES ROLLER BEARING ACTUATOR

PART NUMBER 1120-1025 ( WI-1109-E )

LICENSED UNDER ONE OR MORE OF THE FOLLOWING U.S. PATENTS:  
4,773,812    1,327,765    5,308,211    5,333,984

#### READ INSTRUCTIONS COMPLETELY BEFORE STARTING ASSEMBLY.

Before starting the assembly of the Rotary Actuator, refer to the exploded parts drawing and parts list (fig. A-13 found at the end of these instructions) to familiarize yourself with the individual components. Prepare a clean surface, in an area free of blowing dust and contaminants in which to assemble the Rotary Actuator. Be sure that all parts are thoroughly clean and dry before starting assembly.

**NOTE:** All torque values given apply to clean dry threads only. Follow these directions closely when repairing the Rotary Actuator.

1. Install the piston seal load ring (13) (fig. A-1) in the small groove on the head of the actuator rack (2). Place the “square” piston seal (17) over the load ring (13) in the same small groove (a small “blunt” flathead screwdriver may be used, taking care not to scratch or damage the seal). Install the wear ring (18) in the large groove on the head of the rack. Using a ring compressor, firmly seat the rings on the rack before setting it aside, this will help to reverse the effects of any stretching of the rings that occurred during installation. Repeat this procedure for the other rack.

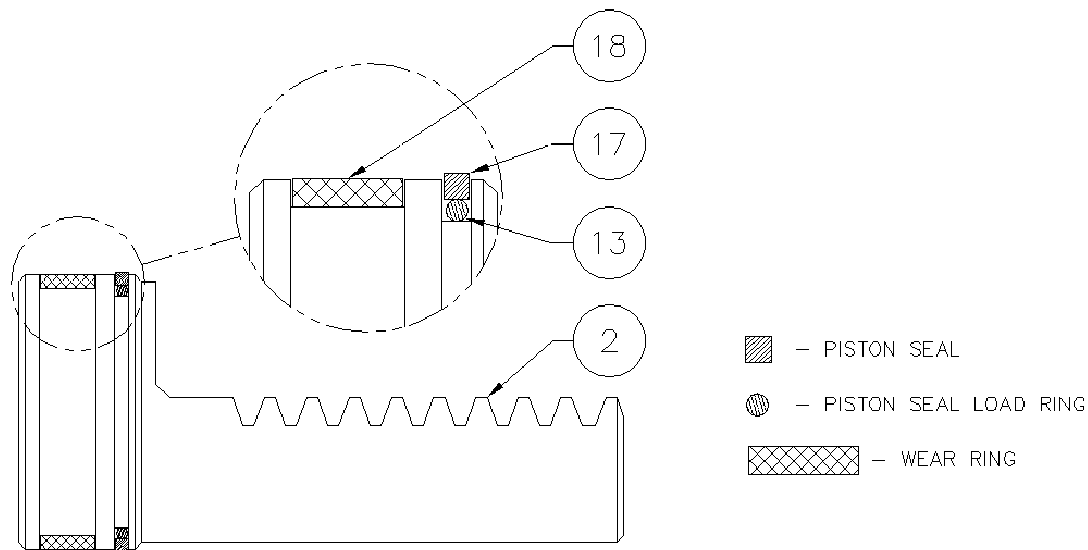
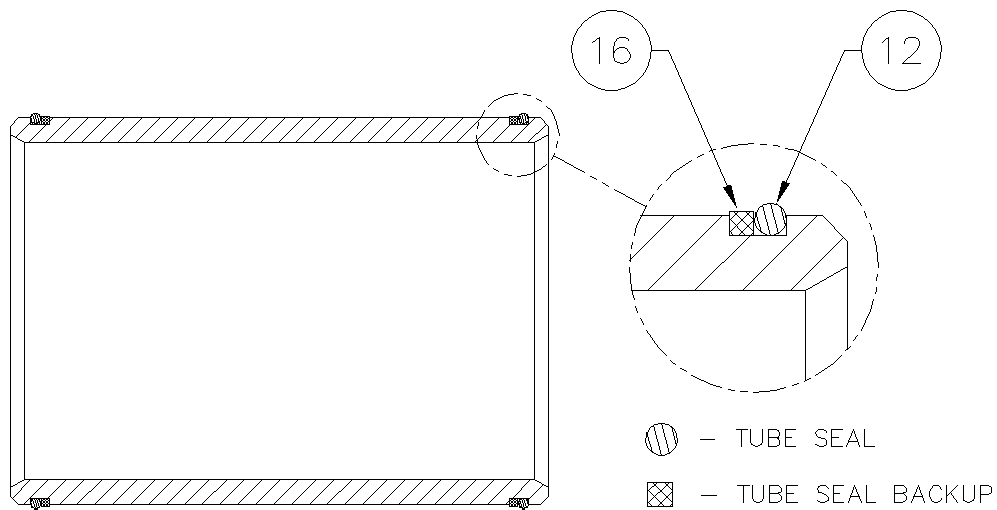


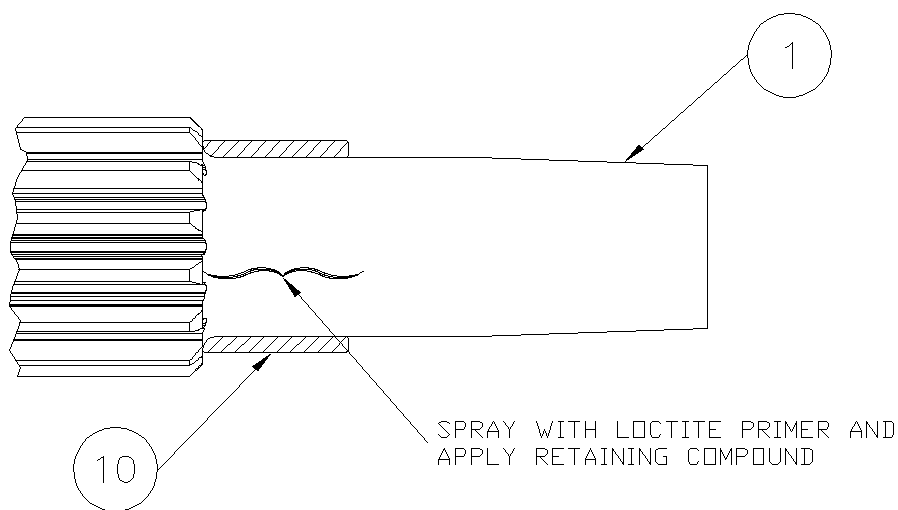
figure A-1

2. Install the tube seal (12) (fig. A-2) and “square” tube seal backup (16) on each end of the actuator tubes (3) (fig. A-13). Be sure that the “square” tube seal backup ring is toward the inside of the tubes at both ends as shown. Press all rings firmly into the grooves. Repeat this procedure for the other tube.



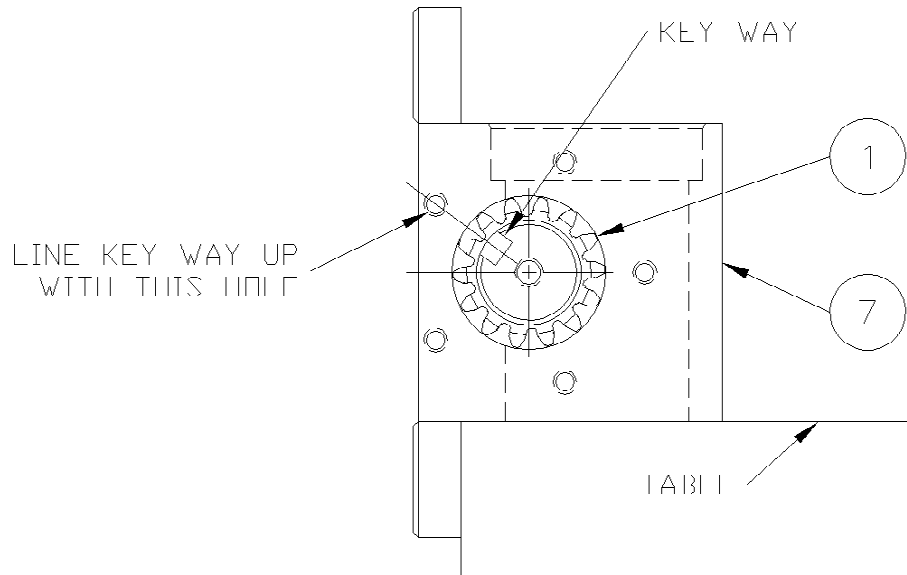
**figure A-2**

3. Thoroughly clean the pinion shaft (1) (fig. A-3) and inner races (10) with a mild solvent and dry completely. Spray the inner race contact area (shown in figure A-3) at each end of the pinion shaft and the inside diameter of the inner race thoroughly with *LOCTITE 7649 N PRIMER*. Apply *LOCTITE RETAINING COMPOUND 609* around the pinion shaft at contact area and the inside diameter of the inner races. Slide the inner races (10) on the pinion shaft (radius end first as shown in figure A-3) until the races seat against the gear teeth. After the races seat against the gear teeth, twist the races on the pinion 360° to spread the retaining compound evenly. Wipe off any excess retaining compound.



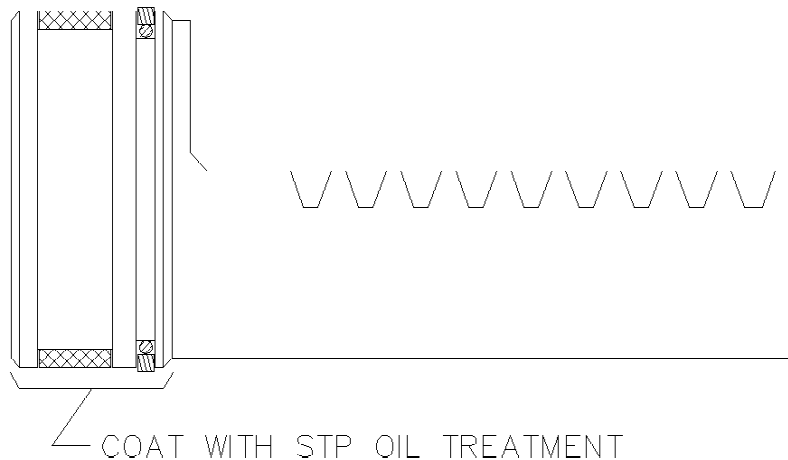
**figure A-3**

- Place the actuator body (7) (fig. A-4) on the edge of the table, mounting flanges closest to the assembler with the counter-bores facing up. Insert the pinion shaft (1) through the bore on either side of the actuator body with the key ways facing back toward the mounting flanges and up away from the table with the center line of the key ways pointing toward the center of the tapped hole shown in figure A-4. Center the pinion in the actuator body.



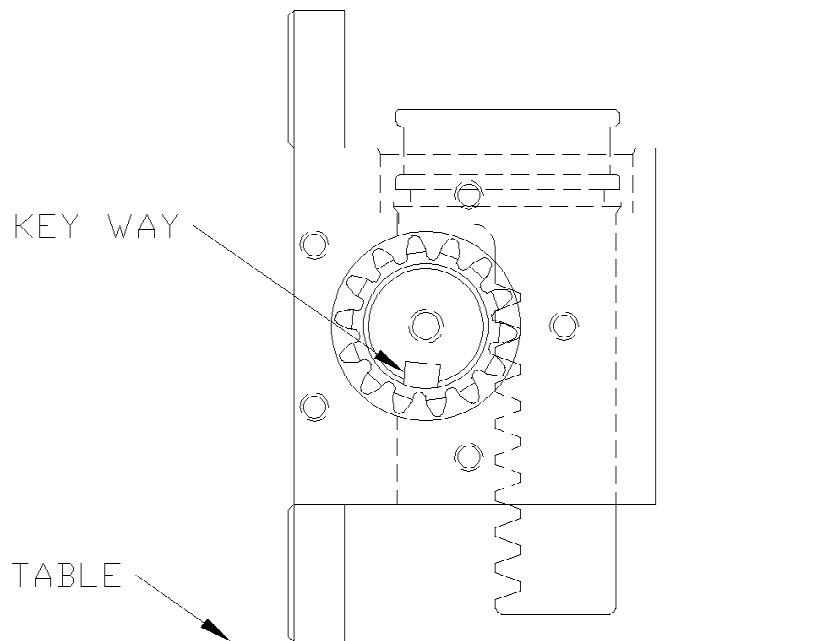
**figure A-4**

- Coat the head portion of the racks (2) (fig. A-13) with STP Oil Treatment. Install the racks, head portion up with the teeth facing the flanges of the actuator body, into the dual set of bores in the body. Simultaneously slide the racks into the bores so that the racks mesh with the pinion in the same position. Rotate the pinion shaft to engage the racks into the pinion.



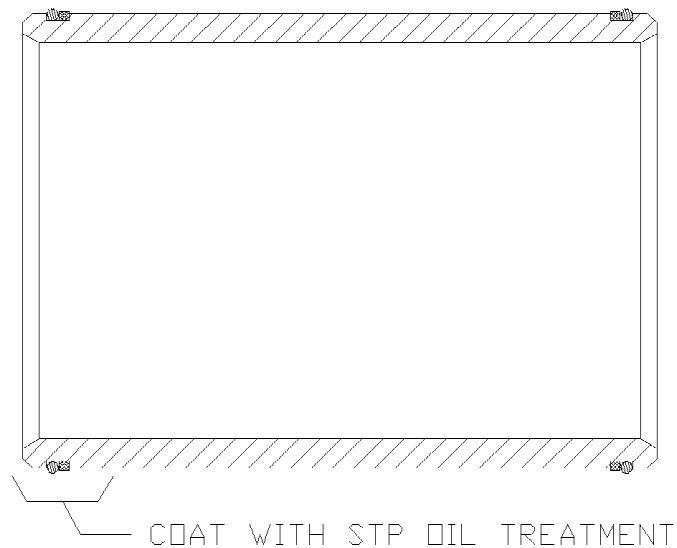
**figure A-5**

6. Check the position of the racks in the pinion by making sure both racks seat against the actuator body at the same time and also when the racks are seated against the body, the key ways on the pinion shaft should be facing down toward the table and very slightly back toward the mounting flanges on the actuator body as shown in figure A-6.



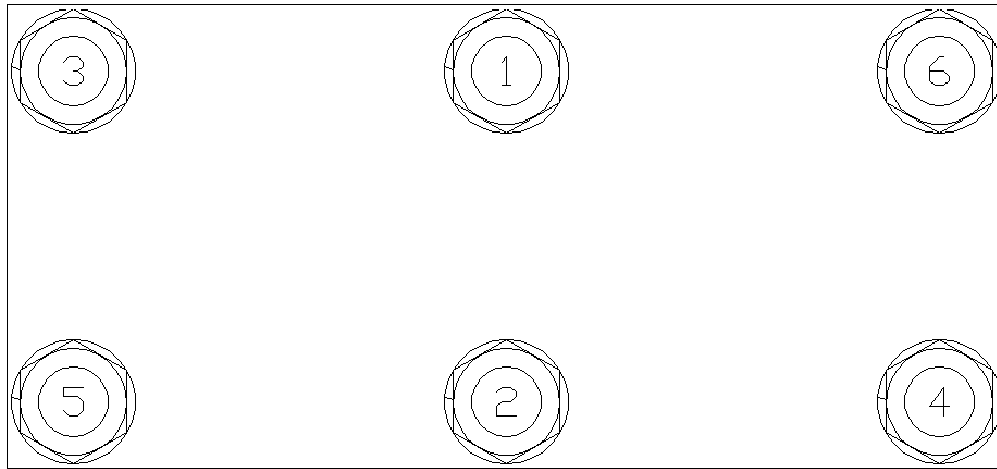
**figure A-6**

7. Coat one end of the actuator tubes (3) (fig. A-13) around the seal area with STP Oil Treatment as shown in figure A-7. Using a rubber mallet, drive the coated end of the tube onto the exposed rack until the tube end seats in the actuator body, making sure that the seals remain in place as the tube enters the counter-bore. Repeat this procedure for the other side.



**figure A-7**

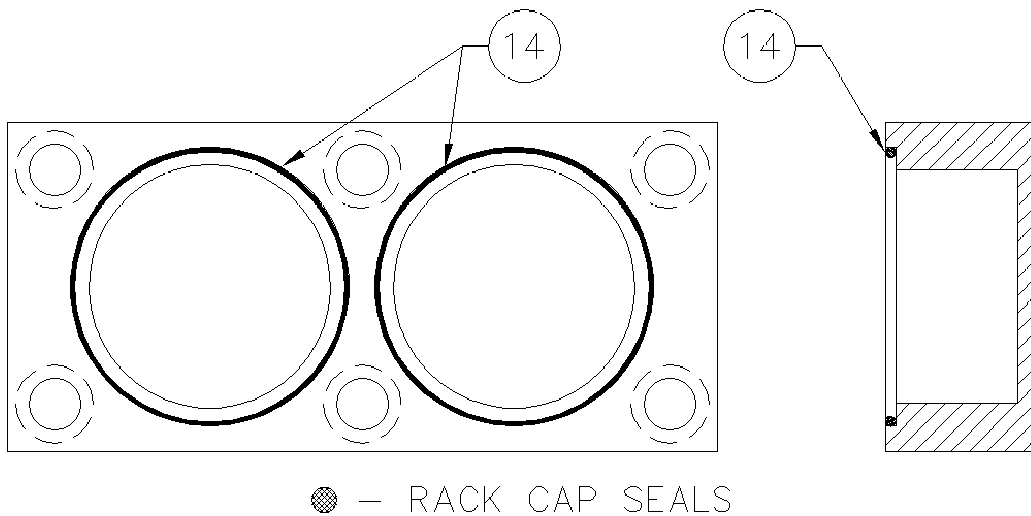
8. Install the six tie rod studs (6) (fig. A-13) by screwing the short threaded end into the actuator body. Hand tighten only at this time (the torque needed will be applied later in the procedure).
9. Place the tube cap (4) (fig. A-13) on the table. Coat the sides of the two bores in the tube cap with STP Oil Treatment. Install the cap over the tubes and rod studs with the oil port positioned to the left as shown in figure A-13. Using a rubber mallet, tap the tube cap over the tubes until the tubes seat in the cap, making sure that the seals remain in place.
10. Place the tube mounting bracket (30) (fig. A-13) over the two end rod studs opposite the oil port in the tube cap as shown in figure A-13.
11. Install the hex nuts (23) (fig. A-13) and lock washers (24) on the tie rod studs. Torque the nuts to 50 ft-lb. in the sequence shown in figure A-8.



TUBE CAP TORQUE SEQUENCE

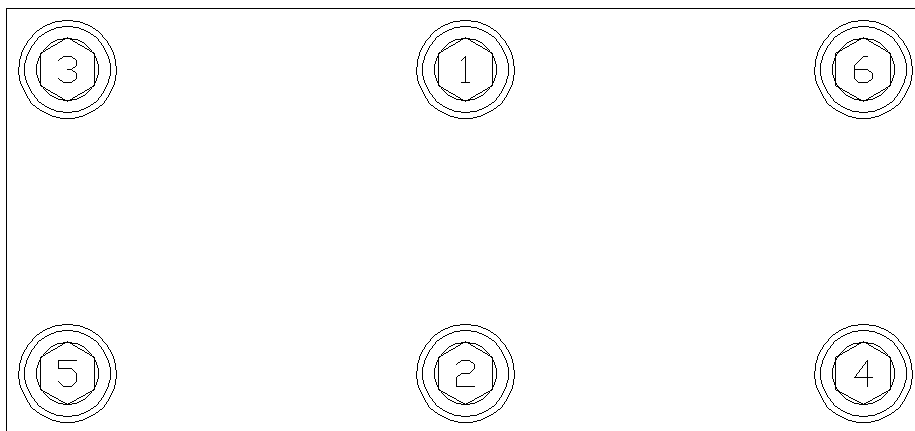
**figure A-8**

12. Place the rack cap (5) (fig. A-13) bore side up on the table and coat the edge of each bore with STP Oil Treatment. Install the rack cap seals (14) (fig. A-9) in the rack cap.



**figure A-9**

13. Reposition the actuator on the table mounting flanges down, and the lower tubes facing away from the assembler. Rotate the pinion shaft to allow 1" of the rack to protrude from the top of the actuator body. Install the rack cap with the oil port positioned to the left hand side of the actuator opposite the bottom oil port located in the tube cap as shown in figure A-13. Attach the rack cap to the actuator body using the socket head bolts (22) (fig. A-13) and lock washers (26). Torque the bolts to 90 ft-lb. in the sequence shown in figure A-10.

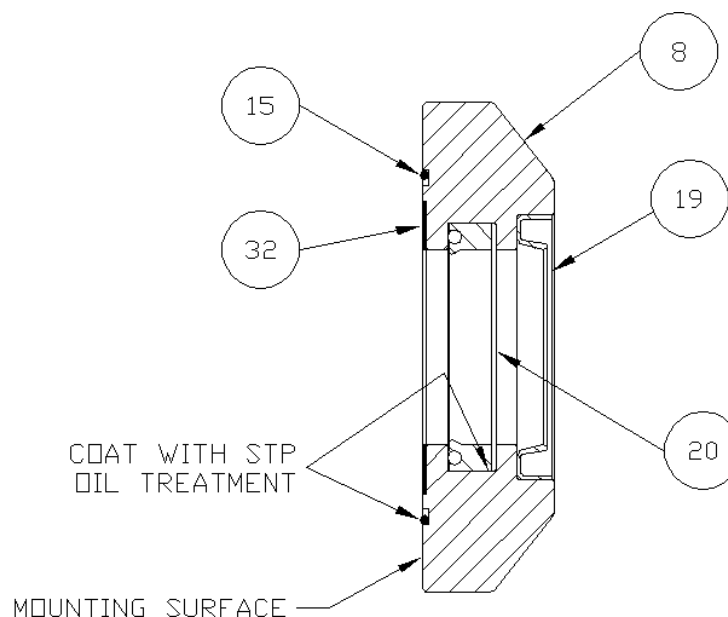


RACK CAP TORQUE SEQUENCE

**figure A-10**

14. Reposition the actuator so that the pinion shaft can be rotated with no obstacles. Rotate the pinion shaft to ensure that the racks move freely. Also make sure that the key ways point perfectly straight "up" toward the rack cap and "down" toward the tube cap at each end of the 180° stroke. If the assembly does not perform all of these functions correctly, it must be disassembled, cleaned, and reassembled.

15. Re-center the actuator pinion in the actuator body by tapping on one end of the shaft with a rubber mallet. Install the roller bearing (9) (fig. A-13), over the pinion shaft and inner race, and into the actuator body. Repeat this procedure for the other bearing.
16. Thoroughly clean the bearing caps (8) (fig. A-11) with a mild solvent and lubricate all seal grooves with STP oil treatment. Place the bearing caps (8) on the table (mounting surface down) and install the wiper ring (19) in the outside groove using a rubber mallet or small press. *(Avoid using tools that may damage seals or scratch bearing cap or bearing surfaces.)* Turn the bearing cap (8) over. Collapse the pinion seal (20) and carefully work it into the groove. Use fingers to carefully press the seal completely into the groove as shown in figure A-11. ***Be careful not to score or scratch the sealing surface during the installation.*** Install the bearing cap seal (15) and thrust washer (32) into their respective grooves on the bearing cap mounting surface as shown in figure A-11.
17. Coat the bearing cap seal area and pinion seal area shown in figure A-11 lightly with STP Oil Treatment.

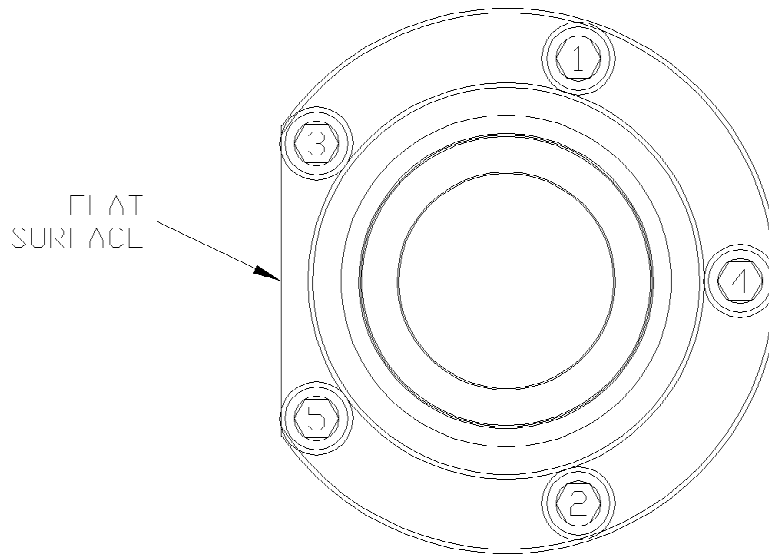


**figure A-11**

18. Wrap masking tape or electrical tape around the pinion to cover the edges at the keyway. Slide the bearing cap assembly over the pinion shaft with the bearing cap seal facing toward the actuator body and the flat surface of the flange shown in figure A-12 facing toward the actuator mounting flanges. Press against the bearing cap until the shoulder seats against the actuator body, making sure that the seals remain in place. Install the bearing cap bolts (21) (fig. A-13) and lock washers (25). Hand tighten only at this time. Repeat this procedure for other bearing cap.



19. After both bearing caps have been installed, torque all bearing cap bolts to 30 ft-lb. in the sequence shown in figure A-12.



**figure A-12**

20. Install the 90° fitting (27) (fig. A-13) into the oil port on the side of the rack cap (5). Hand tighten only at this time.
21. Install the 45° bulk-head fitting (31) (fig. A-13) up through the hole in the tube mounting bracket (30) bolted to the tube cap as shown in figure A-13. The 45° end must be pointing down away from the rack cap (5) and back toward the mounting flanges on the actuator body. Hand tighten only at this time.
22. Install the rack cap extension tube assembly (29) (fig. A-13) between the 90° fitting in the rack cap and the 45° fitting in the tube mounting bracket as shown in figure A-13. Tighten all connections.
23. Install the orifice plug (11) (fig. A-13) into the oil port on the side of the tube cap (4), and install the 90° fitting (27) into the oil port over the orifice plug as shown in figure A-13. Turn the fitting so that it points down away from the rack cap (5) and back toward the mounting flanges on the actuator body and tighten.
24. Install the cap nuts (28) (fig. A-13) onto the open fittings to prevent contamination of the unit until the hoses are installed.
25. Install the actuator cover plate (33) (fig. A-13) onto the rack cap (5) using the cover plate bolts (34). Be sure to use *LOCTITE THREADLOCKER 242* on the cover plate bolts.

# ACTUATOR ASSEMBLY

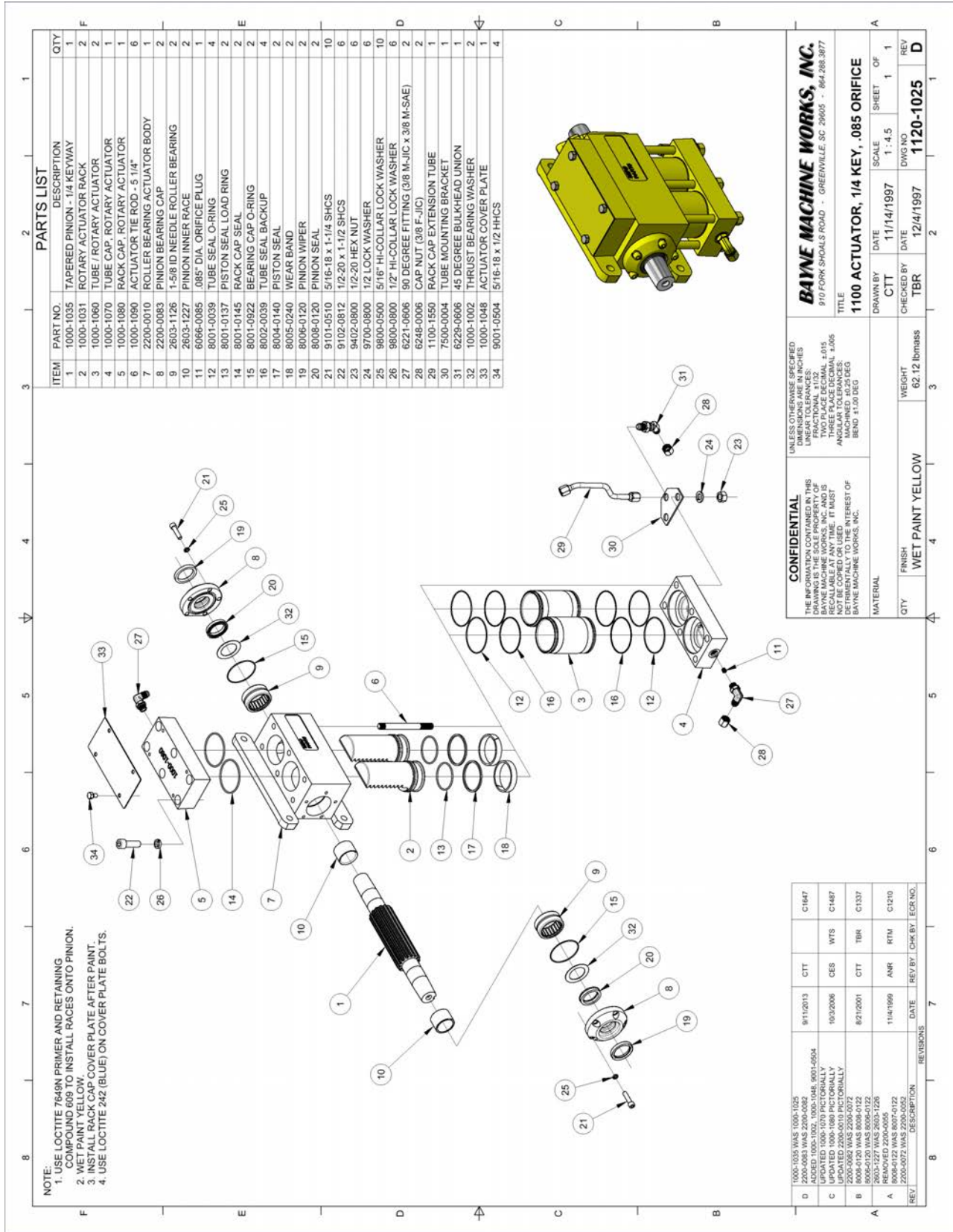


figure A-13

## TROUBLE-SHOOTING CHART ( WI-0042-B )

<i>SYMPTOM</i>	<i>POSSIBLE CAUSES</i>	<i>CORRECTIVE ACTION</i>
Lifter operation very erratic.	<ol style="list-style-type: none"> <li>1. Air trapped in system.</li> <li>2. Low oil level.</li> </ol>	<ol style="list-style-type: none"> <li>1. Bleed all air from lifter hydraulic system.</li> <li>2. Add oil to system.</li> </ol>
Cart lifter will not pick up carts.	<ol style="list-style-type: none"> <li>1. Cart overweight.</li> <li>2. Lifter system hydraulic pressure too low.</li> <li>3. Truck system hydraulic pressure too low.</li> <li>4. Faulty hand valve.</li> </ol>	<ol style="list-style-type: none"> <li>1. Reduce loaded weight of cart.</li> <li>2. Check and adjust pressure relief on hand valve and lifter circuit relief in diverter valve.</li> <li>3. Check and adjust pressure on truck system relief and full system relief in diverter valve.</li> <li>4. Replace hand valve.</li> </ol>
Lifter operates extremely slow.	<ol style="list-style-type: none"> <li>1. Engine idle too low.</li> <li>2. Faulty hand valve.</li> <li>3. Faulty truck hydraulic pump.</li> <li>4. Trash in diverter valve.</li> <li>5. Orifice in diverter valve is too small.</li> </ol>	<ol style="list-style-type: none"> <li>1. Adjust engine idle.</li> <li>2. Replace hand valve.</li> <li>3. Consult truck maintenance manual.</li> <li>4. Remove orifice from diverter valve body and clean thoroughly.</li> <li>5. Remove orifice from diverter valve body and increase diameter.</li> </ol>
Lifter operates under recommended cycle time.	<ol style="list-style-type: none"> <li>1. Engine idle too high.</li> <li>2. Orifice in diverter valve is too large.</li> </ol>	<ol style="list-style-type: none"> <li>1. Adjust engine idle.</li> <li>2. Remove orifice from diverter valve body and replace with a smaller diameter.</li> </ol>

## TROUBLE-SHOOTING CHART ( WI-0042-B )

<i>SYMPTOM</i>	<i>POSSIBLE CAUSES</i>	<i>CORRECTIVE ACTION</i>
Hydraulic components down stream of diverter valve not operating or operating extremely slow.	<ol style="list-style-type: none"> <li>1. Truck system hydraulic pressure too low.</li> <li>2. Faulty full system relief valve cartridge in diverter valve.</li> <li>3. Faulty truck system relief valve.</li> <li>4. System flow is being restricted.</li> <li>5. Trash in flow regulator cartridge.</li> </ol>	<ol style="list-style-type: none"> <li>1. Check and adjust pressure on truck system relief and full system relief in diverter valve.</li> <li>2. Replace full system relief valve cartridge in diverter valve.</li> <li>3. Consult truck maintenance manual.</li> <li>4. Ensure there is proper flow throughout the hydraulic system. Remove any restrictions.</li> <li>5. Remove flow regulator cartridge from diverter valve body and clean thoroughly.</li> </ol>
Diverter valve leaking oil around cartridges.	<ol style="list-style-type: none"> <li>1. Worn or damaged seals on cartridge valves.</li> </ol>	<ol style="list-style-type: none"> <li>1. Install diverter valve seal kit.</li> </ol>
Hand valve lever sticks in up or down position.	<ol style="list-style-type: none"> <li>1. Worn or broken spring center device.</li> <li>2. Trash in or around hand valve shift spool.</li> <li>3. Pressure ( IN ) and tank ( OUT ) ports are hooked up backwards.</li> </ol>	<ol style="list-style-type: none"> <li>1. Install spring center kit.</li> <li>2. Disassemble and clean spool and housing.</li> <li>3. Make sure all hoses are plumbed according to the hydraulic schematic.</li> </ol>
Hand valve leaking oil around shift spool.	<ol style="list-style-type: none"> <li>1. Worn or damaged seals.</li> <li>2. Worn spool.</li> </ol>	<ol style="list-style-type: none"> <li>1. Install hand valve seal kit.</li> <li>2. Replace hand valve.</li> </ol>

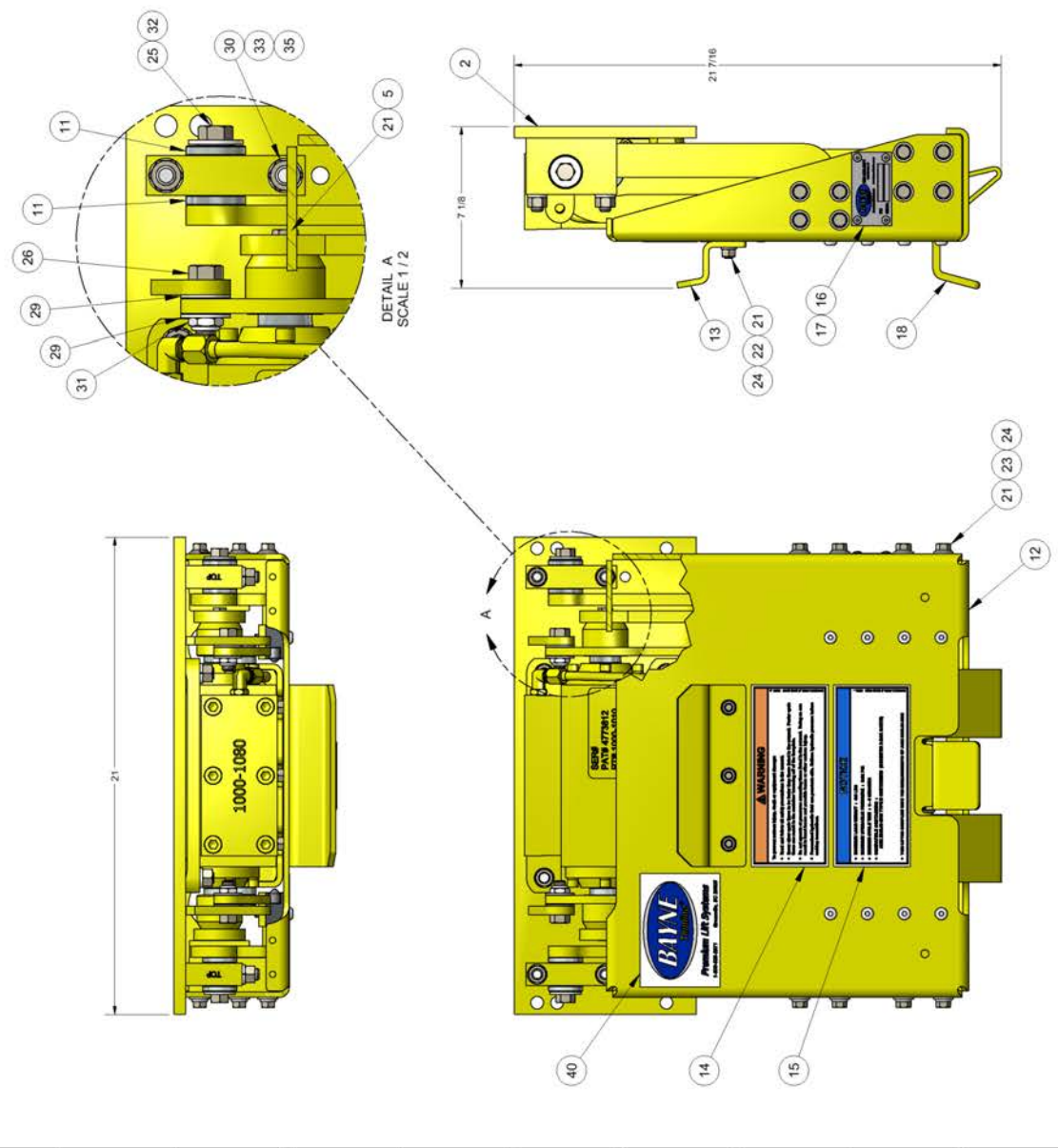
## TROUBLE-SHOOTING CHART ( WI-0042-B )

<i>SYMPTOM</i>	<i>POSSIBLE CAUSES</i>	<i>CORRECTIVE ACTION</i>
Slider latch connectors frequently breaking or bending.	<ol style="list-style-type: none"> <li>1. Lift bars on cart bent or spread apart.</li> <li>2. Broken spring on slider latch hook.</li> <li>3. Lower hinged hook not operating freely.</li> </ol>	<ol style="list-style-type: none"> <li>1. Replace cart or install new bars.</li> <li>2. Replace spring on slider latch hook.</li> <li>3. Clean and grease hook area.</li> </ol>
Lifter looses bar lift carts when dumping.	<ol style="list-style-type: none"> <li>1. Lift bars on cart bent or spread apart.</li> <li>2. Broken spring on slider latch hook.</li> <li>3. Lower hinged hook not operating freely.</li> </ol>	<ol style="list-style-type: none"> <li>1. Replace cart or install new bars.</li> <li>2. Replace spring on slider latch hook.</li> <li>3. Clean and grease hook area.</li> </ol>

**APPENDIX A**  
Assembly drawings and part numbers

1 2 3 4 5 6 7 8

ITEM	PART NO.	DESCRIPTION	QTY
1	1120-1025	BTL ACTUATOR .085 ORIFICE	1
2	4000-1101	BTL MAINFRAME WELDMENT	1
3	4014-1200	14" TORQUE ARM	2
4	2000-1230	TORQUE BEARING ASSEMBLY	2
5	7500-0117	TORQUE ARM WASHER	2
6	7300-0410	KEY - 1/4 x 1-3/16	2
7	4014-1301	14" R.H. IDLER ARM	1
8	4014-1311	14" L.H. IDLER ARM	1
9	2000-1338	LOWER IDLER BEARING ASSEMBLY	2
10	2000-1302	1/4" OFFSET UPPER IDLER BEARING	2
11	7500-0171	ARM WASHER	4
12	4000-1520	BTL FACEPLATE ASSEMBLY	1
13	2000-3900	SADDLE	1
14	5000-0010	WARNING LABEL	1
15	5000-0060	NOTICE LABEL	1
16	7500-0070	MODEL/SERIAL NAME PLATE	1
17	7500-0071	3/16 ALUMINUM DRIVE RIVET	4
18	4000-1440	BTL SLIDER LATCH	1
19	4000-0014	BTL 1114 SLIDER LINK	2
20	2603-1401	SLEEVE BUSHING - .75 ID, .88 OD, .38 W	4
21	9001-0608	3/8-16 x 1 HHCS	21
22	9401-0600	3/8-16 HEX NUT	3
23	9600-0500	5/16 FLAT WASHER	16
24	9700-0600	3/8 LOCK WASHER	19
25	9001-0808	1/2-13 x 1 HHCS	2
26	9001-0812	1/2-13 x 1-1/2 HHCS	2
27	9001-0816	1/2-13 x 2 HHCS	2
28	9201-0608	1/2-13 x 1 BHCS	2
29	9600-0700	7/16 FLAT WASHER	6
30	9402-0800	1/2-20 HEX NUT	8
31	9521-0800	1/2-13 ELASTIC LOCK JAM NUT	4
32	9600-0800	1/2 FLAT WASHER	4
33	9700-0800	1/2 LOCK WASHER	8
34	9902-0814	1/2-20 x 1-3/4 THREADED STUD	4
35	9902-0830	1/2-20 x 3-3/4 THREADED STUD	4
36	9201-1010	5/8-11 X 1 1/4" BHCS	2
37	9600-1000	5/8" FLAT WASHER	2
38	2603-1402	LINK SLEEVE	4
39	4000-1420	SLIDER LATCH SPACER	2
40	5000-0015	BAYNE LOGO LABEL	1



**CONFIDENTIAL**  
 THE INFORMATION CONTAINED IN THIS DRAWING IS THE PROPERTY OF BAYNE MACHINE WORKS, INC. AND IS NOT TO BE REPRODUCED OR TRANSMITTED IN ANY FORM OR BY ANY MEANS, ELECTRONIC OR MECHANICAL, INCLUDING PHOTOCOPYING, RECORDING, OR BY ANY INFORMATION STORAGE AND RETRIEVAL SYSTEM. WITHOUT THE WRITTEN PERMISSION OF BAYNE MACHINE WORKS, INC.

UNLESS OTHERWISE SPECIFIED DIMENSIONS ARE IN INCHES  
 LINEAR TOLERANCES:  
 FRACTIONS: ±.005  
 DECIMALS: ±.015  
 THREE PLACE DECIMAL: ±.005  
 ANGULAR TOLERANCES:  
 UNLESS OTHERWISE SPECIFIED: ±.05 DEG  
 BEND: ±1.00 DEG

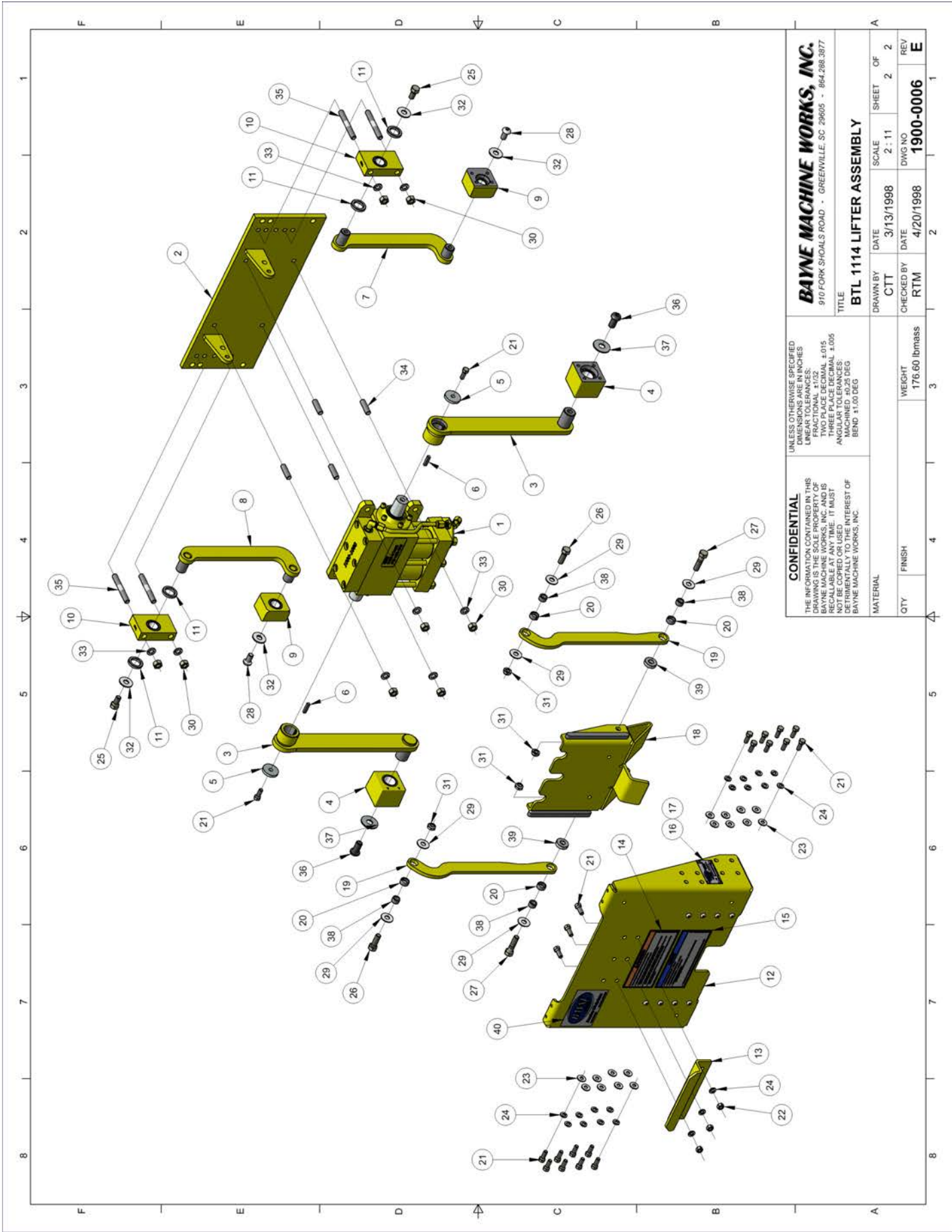
**BAYNE MACHINE WORKS, INC.**  
 910 FORK SHOALS ROAD - GREENVILLE, SC 29605 - 864.288.3877

TITLE: **BTL 1114 LIFTER ASSEMBLY**  
 DRAWN BY: CTT DATE: 3/13/1998 SCALE: 2:1 SHEET OF: 2  
 CHECKED BY: RTM DATE: 4/20/1998 DWG NO: 1900-0006 REV: E

QTY: 1 FINISH: 176.60 bmass WEIGHT: 176.60 bmass

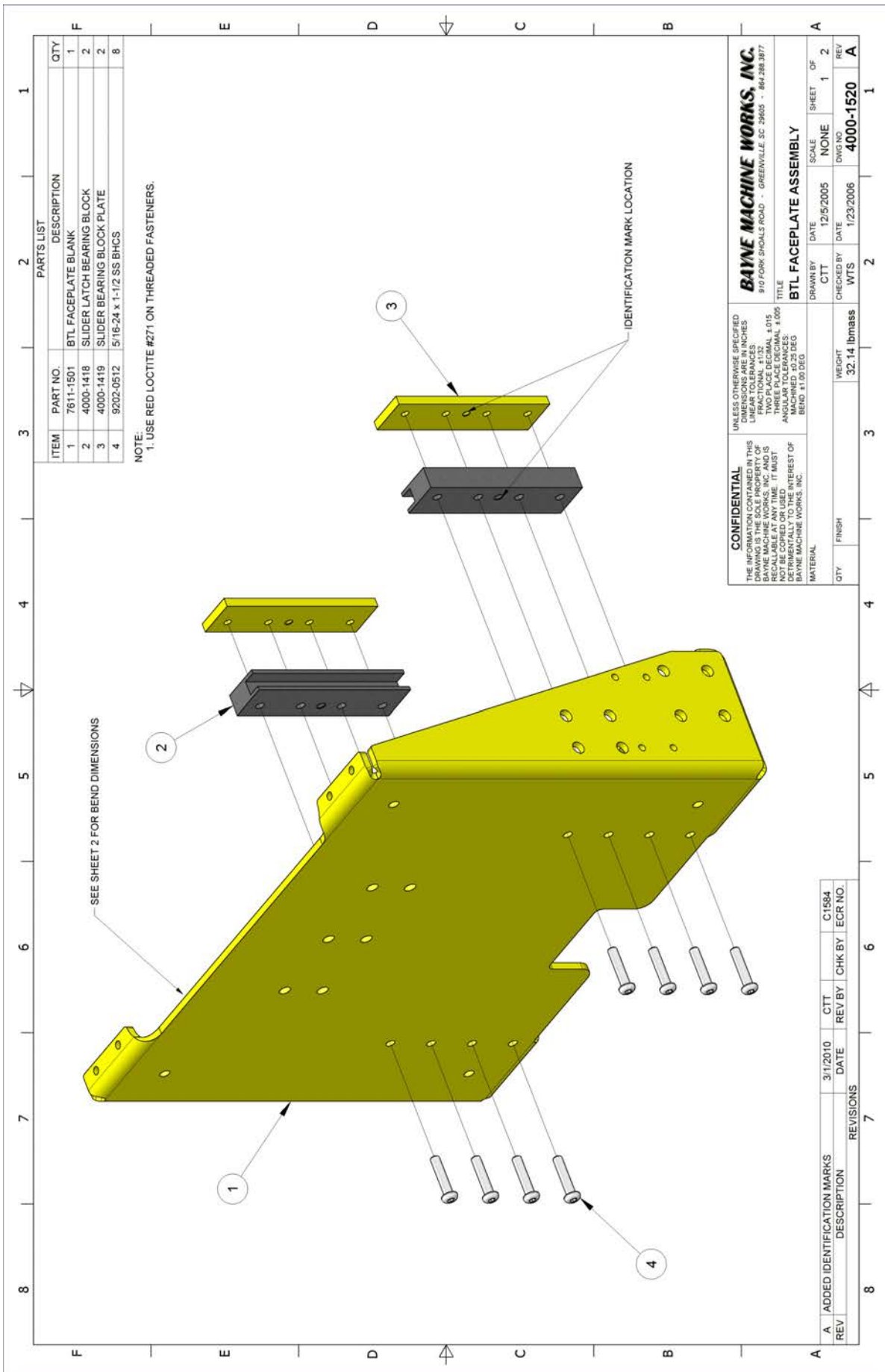
REV	DESCRIPTION	DATE	REV BY	CHK BY	ECR NO.
E	5000-0900 WAS 5000-0020 ADDED 5000-2015	5/12/2010	CTT		C1565
D	4000-1520 WAS 4000-1500 4000-1440 WAS 4000-1405 4000-0014 WAS 4015-1914 2000-1401 WAS 7200-0800 6000-0700 WAS 8401-0800 9001-0800 WAS 9502-0800 9600-0800 QTY. 4 WAS QTY. 8 ADDED 4000-1420 QTY. 2	3/1/2006	CTT	WTS	C1454

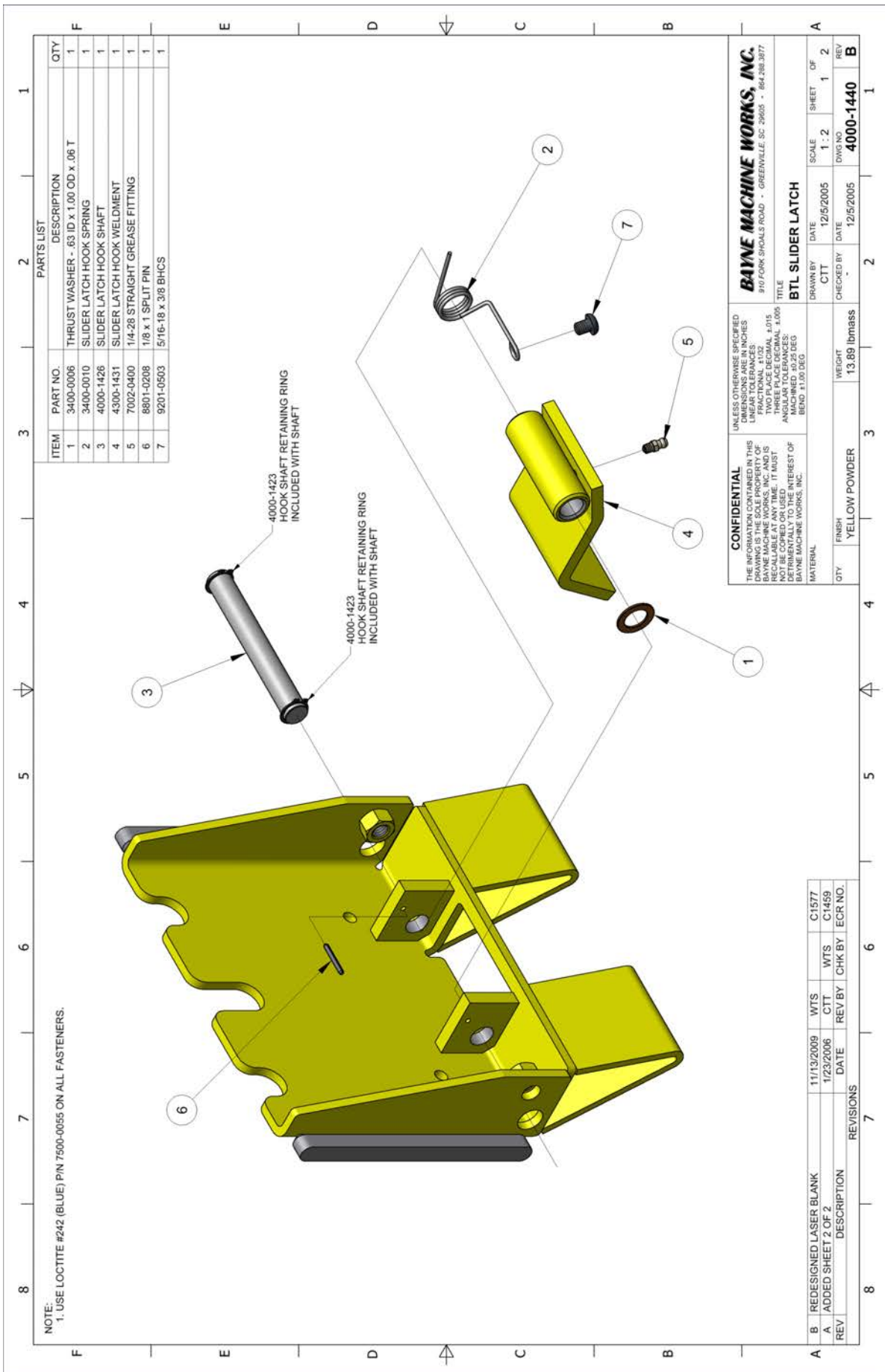


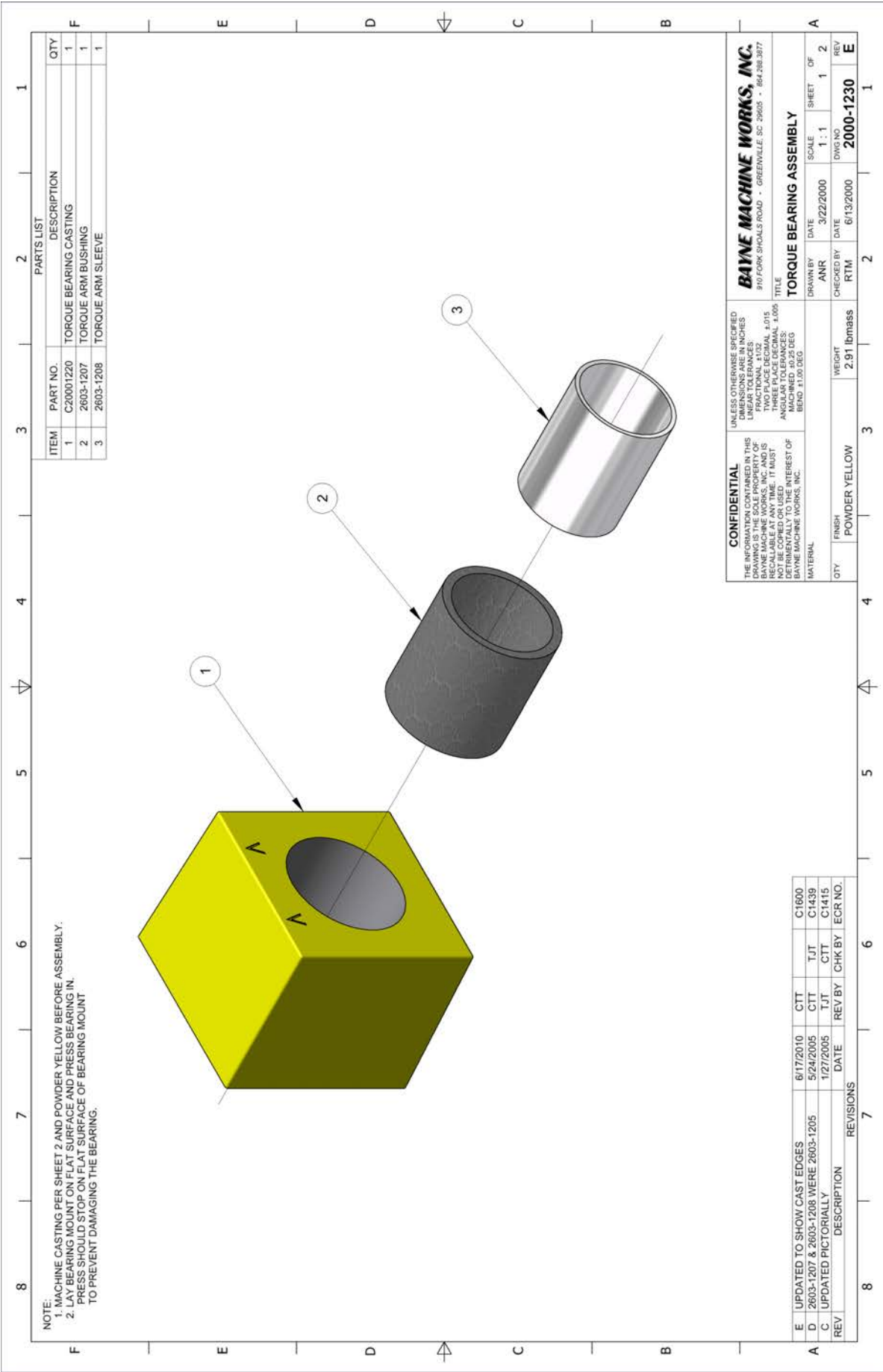


<b>CONFIDENTIAL</b> THE INFORMATION CONTAINED IN THIS DRAWING IS THE PROPERTY OF BAYNE MACHINE WORKS, INC. AND IS NOT TO BE REPRODUCED OR USED IN ANY MANNER WITHOUT THE WRITTEN INTEREST OF BAYNE MACHINE WORKS, INC.		UNLESS OTHERWISE SPECIFIED DIMENSIONS ARE IN INCHES LINEAR TOLERANCES: FRACTIONS TO NEAREST THIRDS TWO PLACE DECIMAL ±.015 THREE PLACE DECIMAL ±.005 ANGULAR TOLERANCES: MACHINING ±.25 DEG BEND ±1.00 DEG	
<b>CONFIDENTIAL</b> THE INFORMATION CONTAINED IN THIS DRAWING IS THE PROPERTY OF BAYNE MACHINE WORKS, INC. AND IS NOT TO BE REPRODUCED OR USED IN ANY MANNER WITHOUT THE WRITTEN INTEREST OF BAYNE MACHINE WORKS, INC.		MATERIAL	
QTY	FINISH	WEIGHT	176.60 lbmass
DRAWN BY CTT		DATE	3/13/1998
CHECKED BY RTM		DATE	4/20/1998
TITLE		SCALE	2 : 11
BTL 1114 LIFTER ASSEMBLY		SHEET	2
DRAWN BY		OF	2
CHECKED BY		DWG NO	1900-0006
DATE		REV	E









NOTE:  
 1. MACHINE CASTING PER SHEET 2 AND POWDER YELLOW BEFORE ASSEMBLY.  
 2. LAY BEARING MOUNT ON FLAT SURFACE AND PRESS BEARING IN.  
 PRESS SHOULD STOP ON FLAT SURFACE OF BEARING MOUNT  
 TO PREVENT DAMAGING THE BEARING.

PARTS LIST			
ITEM	PART NO.	DESCRIPTION	QTY
1	C20001220	TORQUE BEARING CASTING	1
2	2603-1207	TORQUE ARM BUSHING	1
3	2603-1208	TORQUE ARM SLEEVE	1

**CONFIDENTIAL**  
 THE INFORMATION CONTAINED IN THIS DRAWING IS THE SOLE PROPERTY OF BAYNE MACHINE WORKS, INC. AND IS NOT TO BE REPRODUCED OR TRANSMITTED IN ANY FORM OR BY ANY MEANS, ELECTRONIC OR MECHANICAL, INCLUDING PHOTOCOPYING, RECORDING, OR BY ANY INFORMATION STORAGE AND RETRIEVAL SYSTEM. WITHOUT THE WRITTEN PERMISSION OF BAYNE MACHINE WORKS, INC. THIS DRAWING IS NOT TO BE COPIED OR USED DETRIMENTALLY TO THE INTEREST OF BAYNE MACHINE WORKS, INC.

UNLESS OTHERWISE SPECIFIED DIMENSIONS ARE IN INCHES  
 FRACTIONAL DIMENSIONS ARE TO BE FRACTIONAL 1/32  
 TWO PLACE DECIMAL ±.015  
 MACHINED DIMENSIONS ±.005  
 ANGULAR TOLERANCES:  
 MACHINED ±0.25 DEG  
 BEND ±1.00 DEG

**BAYNE MACHINE WORKS, INC.**  
 810 FORK SHOALS ROAD - GREENVILLE, SC 29605 - 864.298.3677

TITLE: **TORQUE BEARING ASSEMBLY**

DRAWN BY	ANR	DATE	3/22/2000	SCALE	1:1	SHEET	1	OF	2
CHECKED BY	RTM	DATE	6/13/2000	DWG NO	2000-1230	REV	E		

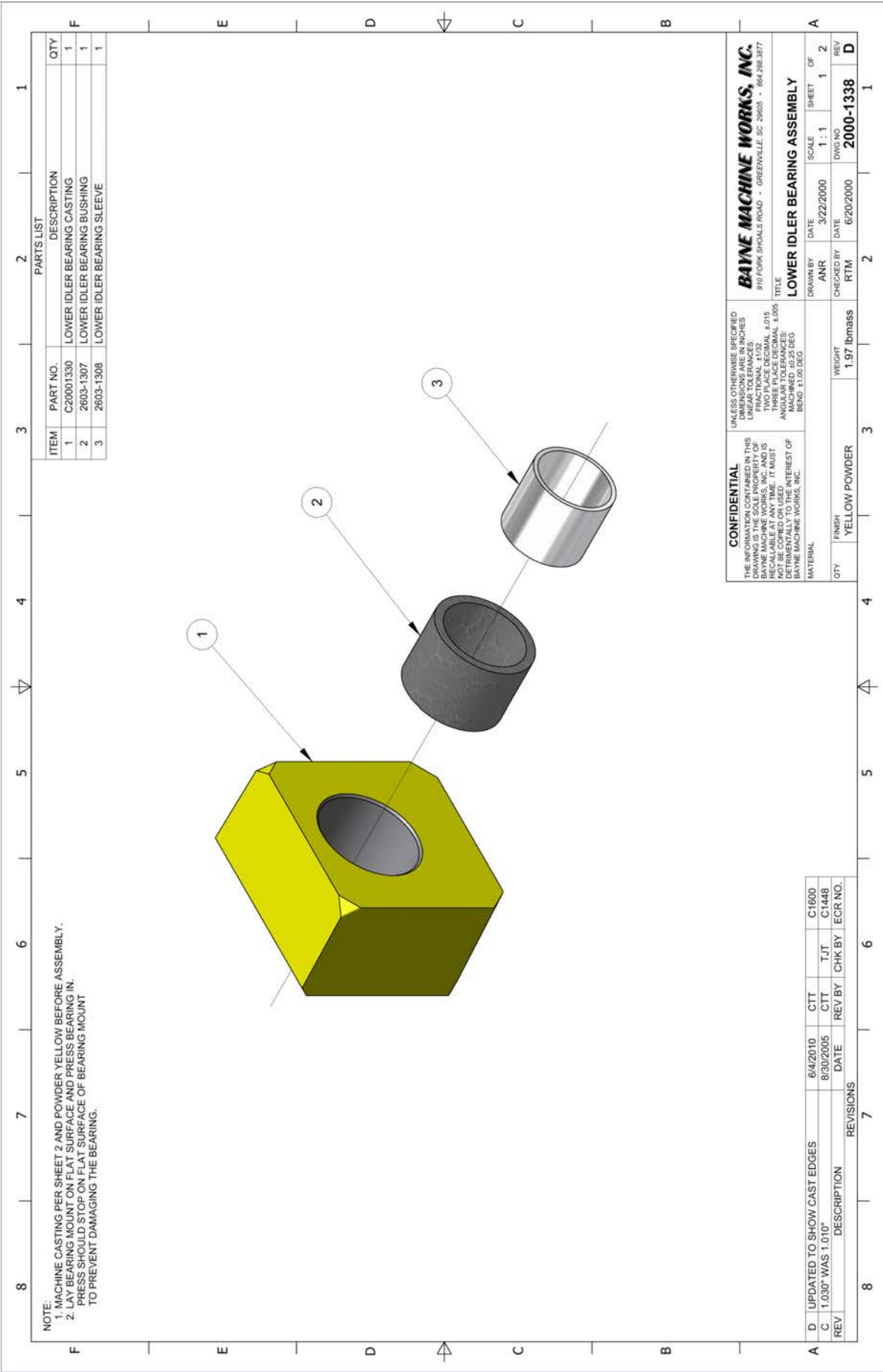
MATERIAL: **POWDER YELLOW**

QTY: **2.91 lbmass**

WEIGHT: **2.91 lbmass**

REV	DESCRIPTION	DATE	REV BY	CHK BY	ECR NO.
E	UPDATED TO SHOW CAST EDGES	6/17/2010	CTT	TJT	C1600
D	2603-1207 & 2603-1208 WERE 2603-1205	5/24/2005	CTT	TJT	C1439
C	UPDATED PICTORIALY	1/27/2005	TJT	CTT	C1415

REVISIONS

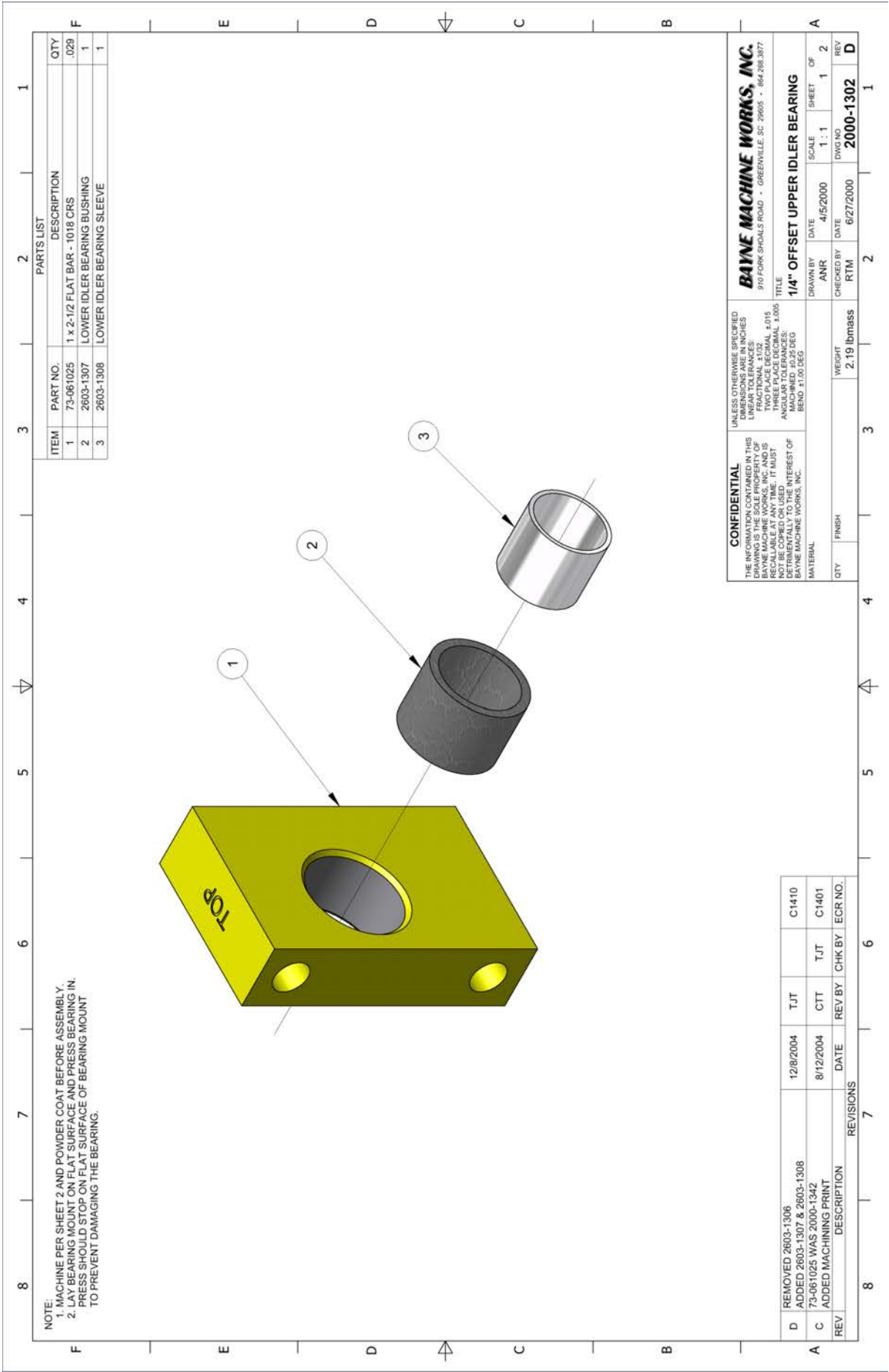


NOTE:  
 1. MACHINE CASTING PER SHEET 2 AND POWDER YELLOW BEFORE ASSEMBLY.  
 2. LAY BEARING MOUNT ON FLAT SURFACE AND PRESS BEARING IN.  
 PRESS SHOULD STOP ON FLAT SURFACE OF BEARING MOUNT  
 TO PREVENT DAMAGING THE BEARING.

PARTS LIST			
ITEM	PART NO.	DESCRIPTION	QTY
1	C20001330	LOWER IDLER BEARING CASTING	1
2	2603-1307	LOWER IDLER BEARING BUSHING	1
3	2603-1308	LOWER IDLER BEARING SLEEVE	1

<b>CONFIDENTIAL</b>		UNLESS OTHERWISE SPECIFIED DIMENSIONS ARE IN INCHES LENGTHS AND RADIUS TO FRACTIONAL .1102 TWO PLACE DECIMAL .1015 TWO PLACE DECIMAL .1005 ANGULAR TOLERANCES: MACHINED ±0.25 DEG BEND ±1.00 DEG	
THE INFORMATION CONTAINED IN THIS DRAWING IS THE SOLE PROPERTY OF BAYNE MACHINE WORKS, INC. AND IS RETURNED TO THE DRAWER IF NOT NOT BE COPIED OR USED DETRIMENTALLY TO THE INTEREST OF BAYNE MACHINE WORKS, INC.		TITLE <b>LOWER IDLER BEARING ASSEMBLY</b>	
MATERIAL YELLOW POWDER		DRAWN BY ANR	
QTY. 1.97 lbmss		DATE 3/22/2000	
FINISH		CHECKED BY RTM	
SCALE 1:1		SHEET 1	
DATE 6/20/2000		DWG NO 2000-1338	
REV		REV	
1		2	

REV	DESCRIPTION	DATE	REV BY	CHK BY	ECR NO.
D	UPDATED TO SHOW CAST EDGES	6/4/2010	CTT	TJT	C1600
C	1.030" WAS 1.010"	8/30/2005	CTT	TJT	C1448



NOTE:  
 1. MACHINE PER SHEET 2 AND POWDER COAT BEFORE ASSEMBLY.  
 2. LAY BEARING MOUNT ON FLAT SURFACE AND PRESS BEARING IN.  
 PRESS SHOULD STOP ON FLAT SURFACE OF BEARING MOUNT  
 TO PREVENT DAMAGING THE BEARING.

ITEM	PART NO.	DESCRIPTION	QTY
1	73-061025	1 x 2-1/2 FLAT BAR - 1018 CRS	.029
2	2603-1307	LOWER IDLER BEARING BUSHING	1
3	2603-1308	LOWER IDLER BEARING SLEEVE	1

PARTS LIST

REV	DESCRIPTION	DATE	REV BY	CHK BY	ECR NO.
D	REMOVED 2603-1306	12/8/2004	TJT		C1410
C	ADDED 2603-1307 & 2603-1308		CTT	TJT	C1401
A	73-061025 WAS 2000-1342	8/12/2004			
	ADDED MACHINING PRINT				

**CONFIDENTIAL**  
 THE INFORMATION CONTAINED IN THIS DRAWING IS UNCLASSIFIED EXCEPT WHERE SHOWN OTHERWISE. IT IS THE PROPERTY OF BAYNE MACHINE WORKS, INC. AND IS LOANED TO YOU FOR YOUR USE ONLY. IT IS NOT TO BE REPRODUCED OR TRANSMITTED IN ANY FORM OR BY ANY MEANS, ELECTRONIC OR MECHANICAL, INCLUDING PHOTOCOPYING, RECORDING, OR BY ANY INFORMATION STORAGE AND RETRIEVAL SYSTEM, WITHOUT THE WRITTEN PERMISSION OF BAYNE MACHINE WORKS, INC.

UNLESS OTHERWISE SPECIFIED DIMENSIONS ARE IN INCHES  
 LINEAR TOLERANCES:  
 FRACTIONAL ±.002  
 DECIMAL ±.0015  
 THREE PLACE DECIMAL ±.0005  
 ANGULAR TOLERANCES:  
 HOLE ±.0015 DEG  
 BEND ±1.00 DEG

**BAYNE MACHINE WORKS, INC.**  
 910 FORK SPOALS ROAD • GREENVILLE, SC 29605 • 864.288.3877

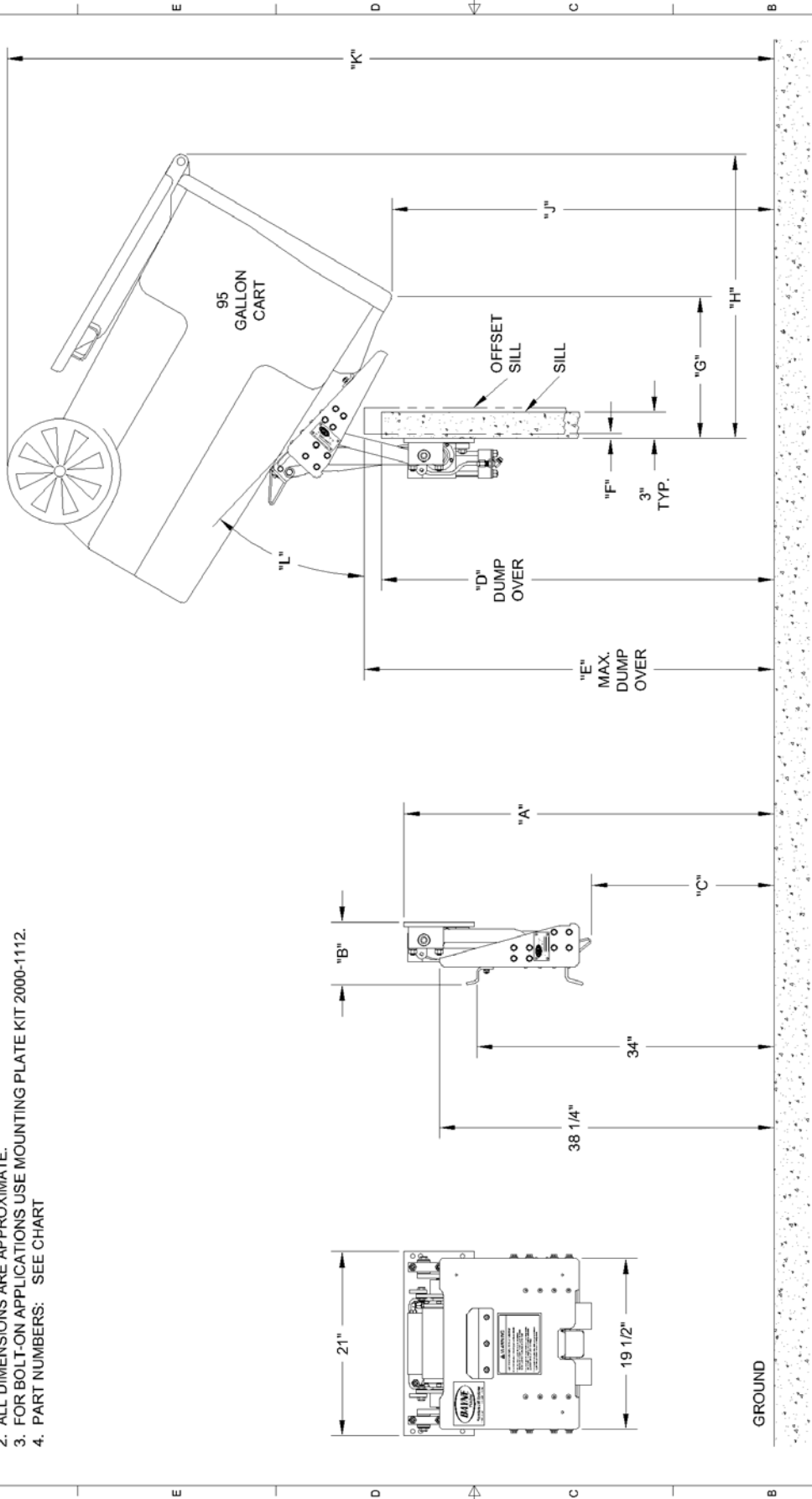
**1/4" OFFSET UPPER IDLER BEARING**

DRAWN BY: ANR DATE: 4/5/2000 SCALE: 1:1 SHEET OF: 2  
 CHECKED BY: RTM DATE: 6/27/2000 DWG NO: 2000-1302 REV: D

QTY: FINISH: WEIGHT: 2.19 lbmass

**NOTE:**

1. DIMENSIONS ACCOMMODATE ANSI Z245.60-2008 TYPE B CONTAINERS (DOMESTIC 2-BAR CARTS), BUT MAY VARY DUE TO CONTAINER SPECIFICATIONS OR APPLICATIONS.
2. ALL DIMENSIONS ARE APPROXIMATE.
3. FOR BOLT-ON APPLICATIONS USE MOUNTING PLATE KIT 2000-1112.
4. PART NUMBERS: SEE CHART



<b>CONFIDENTIAL</b> THE INFORMATION CONTAINED IN THIS DRAWING IS THE SOLE PROPERTY OF BAYNE MACHINE WORKS, INC. AND IS NOT TO BE COPIED OR REPRODUCED IN ANY MANNER WITHOUT THE WRITTEN CONSENT OF BAYNE MACHINE WORKS, INC.		UNLESS OTHERWISE SPECIFIED DIMENSIONS ARE IN INCHES DIMENSIONS IN PARENTHESES ARE METRIC EQUIVALENTS TWO PLACE DECIMAL .0015 THREE PLACE DECIMAL .005 ALL DIMENSIONS TO UNLESS OTHERWISE SPECIFIED BEND 11.00 DEG.	
<b>BTL SERIES SPECIFICATIONS</b>			
DRAWN BY CTT		DATE 10/08/2009	SCALE NONE
CHECKED BY		DATE	SHEET OF 1 2
QTY	FINISH	WEIGHT	DWG NO H0100006
			REV -

MODEL NUMBER	PART #	"A" DIM.	"B" DIM.	"C" DIM.	"D" DIM.	"E" DIM.	"F" DIM.	"G" DIM.	"H" DIM.	"J" DIM.	"K" DIM.	"L" DIM.
BTL 1110	1900-0002	38 1/4"	7 1/8"	20 7/8"	39 1/8"	N/A	N/A	16 1/4"	32 3/8"	35 3/4"	79 5/8"	43°
BTL 1110 TS	1900-2002	36 3/4"	7 1/8"	20 1/2"	37 5/8"	N/A	N/A	17 3/8"	33 1/2"	33 1/4"	77 1/8"	43°
BTL 1110 TS (.059" ORIFICE)	1900-1102											
BTL 1111	1900-0003	39 1/4"	7 1/8"	20 7/8"	40 1/2"	41 1/8"	1/4"	16 1/2"	31 7/8"	38 3/8"	81 1/2"	41°
BTL 1111 TS	1900-2003	37 3/4"	7 1/8"	20 1/2"	39"	39 5/8"	1/4"	17 5/8"	33"	35 7/8"	79"	41°
BTL 1112	1900-0004	40 1/4"	7 1/8"	21"	42"	43 1/4"	3/8"	16 5/8"	31 1/2"	40 3/4"	83 1/2"	40°
BTL 1112 TS	1900-2004	38 3/4"	7 1/8"	20 1/2"	40 1/2"	41 3/4"	3/8"	17 3/4"	32 5/8"	38 3/8"	81"	40°
BTL 1113	1900-0005	41 1/4"	7 1/8"	21"	43 3/8"	45 1/4"	1/2"	16 3/4"	31 1/8"	43 1/8"	85 3/8"	39°
BTL 1113 TS	1900-2005	39 3/4"	7 1/8"	20 1/2"	41 7/8"	43 3/4"	1/2"	18"	32 1/4"	40 3/4"	82 7/8"	39°
BTL 1114	1900-0006	42 1/4"	7 1/8"	20 7/8"	44 3/4"	46 5/8"	1/2"	16 1/4"	32 1/2"	43 5/8"	87 5/8"	43°
BTL 1114 TS	1900-2006	40 3/4"	7 1/8"	20 1/2"	43 1/4"	45 1/8"	1/2"	17 1/4"	33 5/8"	41 1/8"	85 1/8"	43°
BTL 1114 SO	1900-0840	42 1/4"	7 1/8"	20 3/4"	45 1/8"	46"	1/4"	15 1/2"	33 5/8"	42 1/4"	87 5/8"	48°
BTL 1114 SO F.L.B.	1900-3840											
BTL 1114 SO TS	1900-2840	40 3/4"	7 1/8"	20 3/8"	43 5/8"	44 1/2"	1/4"	16 1/2"	34 5/8"	39 5/8"	85"	48°
BTL 1114 SO TS F.L.B. (.043" ORIFICE)	1900-3841											
BTL 1115	1900-0007	43 1/4"	7 1/8"	21 1/8"	46 1/4"	49 3/8"	3/4"	17"	30 1/2"	47 3/4"	89 1/4"	37°
BTL 1115 TS	1900-2007	41 3/4"	7 1/8"	20 1/2"	44 3/4"	47 7/8"	3/4"	18 1/4"	31 3/4"	45 3/8"	86 7/8"	37°

**CONFIDENTIAL**  
 THE INFORMATION CONTAINED IN THIS DRAWING IS THE SOLE PROPERTY OF BAYNE MACHINE WORKS, INC. AND IS NOT TO BE COPIED OR REPRODUCED IN ANY MANNER WITHOUT THE WRITTEN PERMISSION OF BAYNE MACHINE WORKS, INC.

UNLESS OTHERWISE SPECIFIED DIMENSIONS ARE IN INCHES  
 DIMENSIONS IN PARENTHESES ARE FRACTIONAL  
 TWO PLACE DECIMAL .043  
 THREE PLACE DECIMAL .005  
 ANGLES ARE UNLESS OTHERWISE SPECIFIED  
 MACHINED TO .0015 DEG  
 BENDY .15.00 DEG

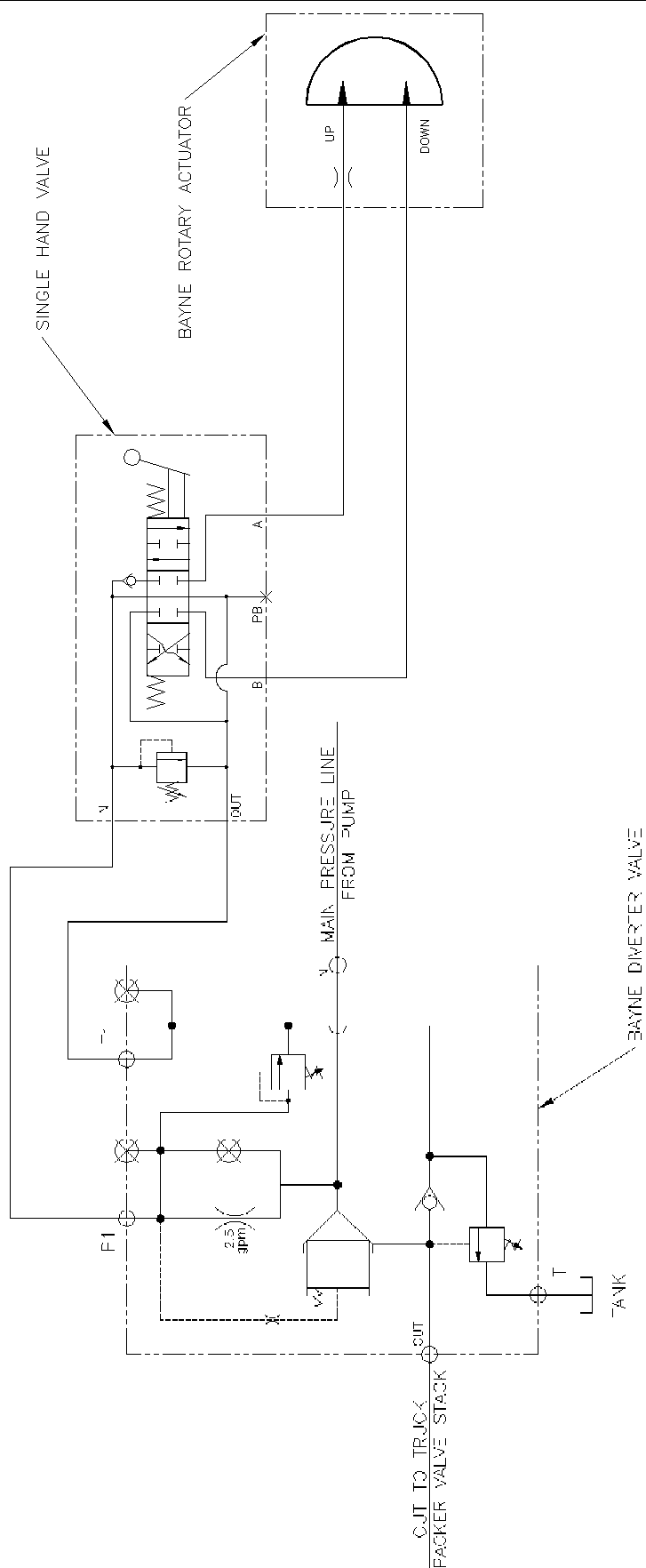
**BAYNE MACHINE WORKS, INC.**  
 910 FORKSHOALS ROAD - GREENVILLE, SC 29605 - 864.288.3977

TITLE: **BTL SERIES SPECIFICATIONS**

DRAWN BY: CTT DATE: 10/08/2009 SCALE: NONE SHEET 2 OF 2

CHECKED BY: DATE: DWG NO: H0100006 REV: -

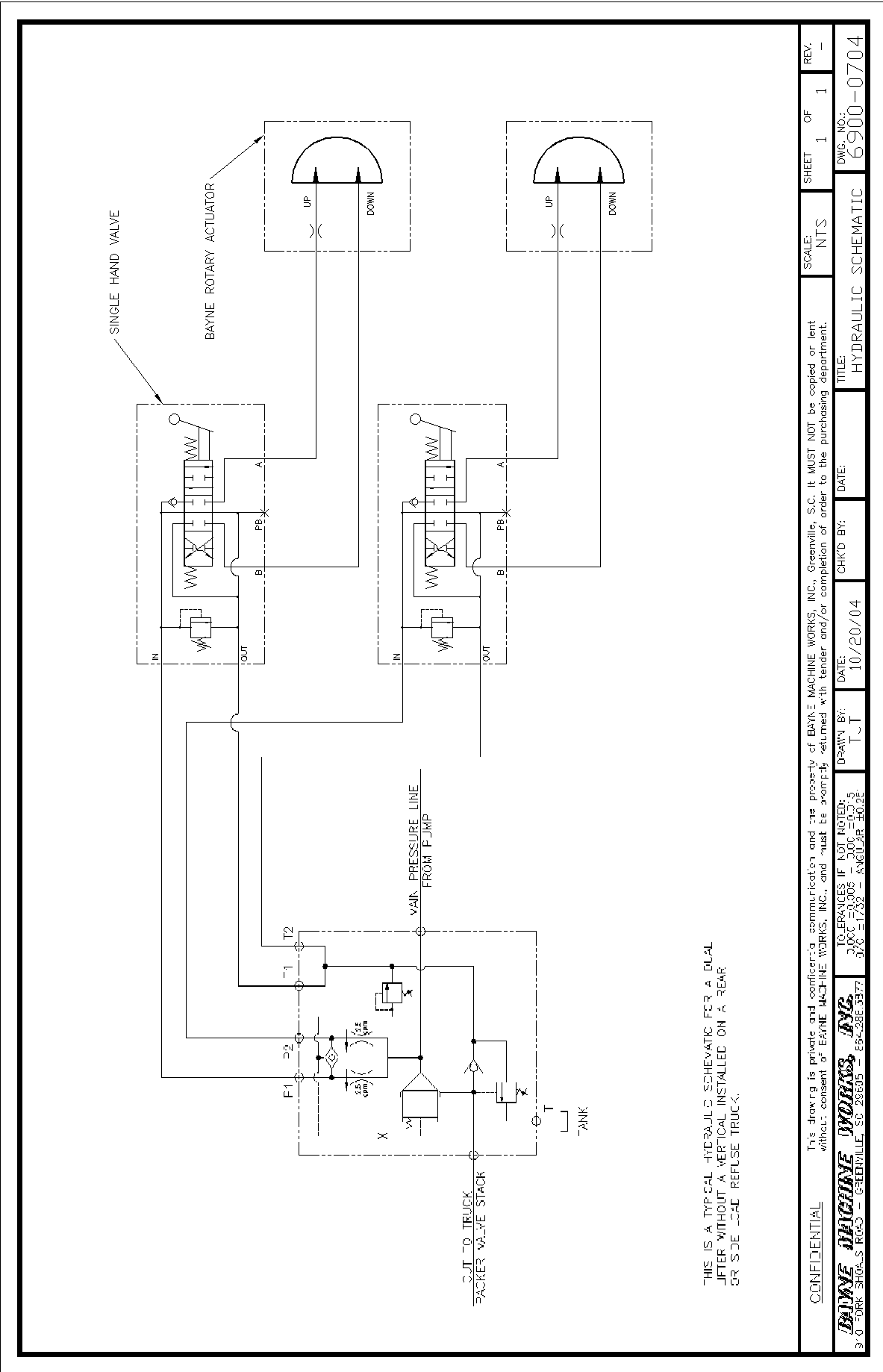
QTY: FINISH: WEIGHT: MATERIAL:



THIS IS A TYPICAL HYDRAULIC SCHEMATIC FOR A SINGLE LIFTER WITHOUT A VERTICAL INSTALLED ON A REAR OR SIDE LOAD REFUSE TRUCK.

CONFIDENTIAL		This drawing is private and confidential communication and the property of BAYNE MACHINE WORKS, INC., Greenville, S.C. It MUST NOT be copied or lent without consent of BAYNE MACHINE WORKS, INC. and must be promptly returned with tender and/or completion of order to the purchasing department.		SCALE:	SHEET	OF	REV.
				NTS	1	1	-
BAYNE MACHINE WORKS, INC. 301 DRR SHOALS ROAD - GREENVILLE, SC 29635 - 664-2881/3377		DATE:	CHKD BY:	TITLE:			
		10/14/04	T.J.T.	HYDRAULIC SCHEMATIC			
				DWG. NO.: 6900-0700			





THIS IS A TYPICAL HYDRAULIC SCHEMATIC FOR A DUAL JIFTER WITHOUT A VERTICAL INSTALLED ON A REAR OR SIDE PACKER TRUCK.

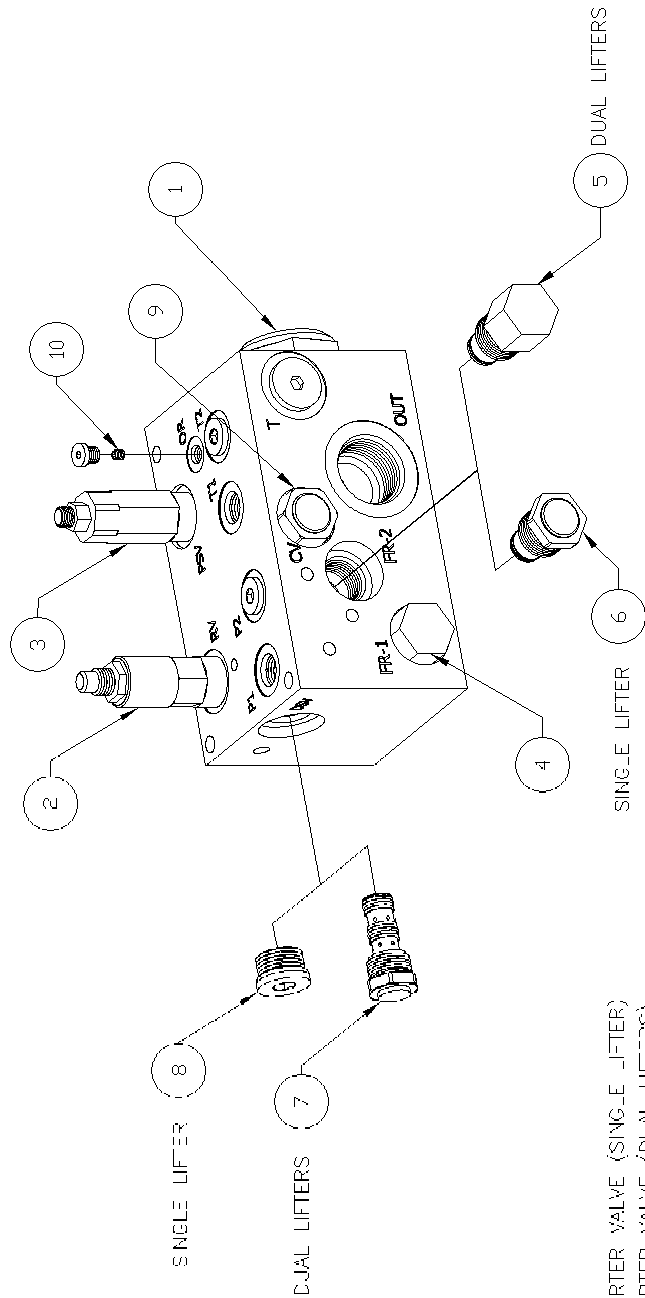
<b>CONFIDENTIAL</b>		This drawing is private and confidential. It is the property of BAYNE MACHINE WORKS, INC., Greenville, S.C. It MUST NOT be copied or lent without consent of BAYNE MACHINE WORKS, INC. and must be promptly returned to the purchasing department.		SCALE:	SHEET	OF	REV.
<b>BAYNE MACHINE WORKS, INC.</b> 301 DORR ROAD - GREENVILLE, SC 29635 - 664-2881/3377		DATE:	CHK'D BY:	NTS	1	1	-
TOLERANCES IF NOT NOTED: 30.00 ± 0.3005 - 30.00 ± 0.075 37.50 ± 1.539 - ANGULAR ± 0.25		DATE:	CHK'D BY:	TITLE: HYDRAULIC SCHEMATIC			
		DATE:	CHK'D BY:	DWG. NO.: 6900-0704			
		DATE:	CHK'D BY:				

### SERVICE PARTS

ITEM	PORT	PART NO.	DESCRIPTION	SEAL KIT	APPLICATIONS
1	DFS	6091-0716	DIFF. PRESSURE SENSING VALVE	8000-0782	ALL
2	RV	6091-0712	RELIEF VALVE	8000-0784	ALL
3	PSV	6091-0713	PRESSURE SEQUENCE VALVE	8000-0781	ALL
4	FR-1	6091-0710	FLOW REGULATOR	8000-0784	FOR DUAL LIFTERS
5	FR-2	6091-0710	FLOW REGULATOR	8000-0783	FOR SINGLE LIFTER
6	FR-2	6091-0715	CAVITY PLUG	8000-0784	FOR SINGLE LIFTER
7	DSV	6091-0720	SHUTTLE VALVE	8000-0783	FOR DUAL LIFTERS
8		6246-0008	INL. 8 SAE SOCKET HEAD PLUG	8000-0784	ALL
9	CV	6091-0714	CHECK VALVE	8000-0784	ALL
10	DR	6066-0028	Ø.028" DRIFICE	-	ALL

**NOTE:**

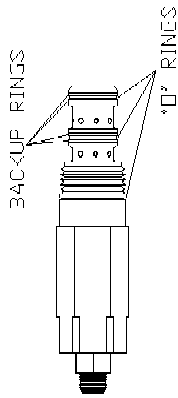
1. MAXIMUM WORKING PRESSURE 3000 PSI
2. MAXIMUM WORKING FLOW 50 GPM
3. TEMPERATURE RANGE = 16C° MAXIMUM
4. PORT SIZES  
IN & OUT = #16 SAE  
T = #10 SAE
5. T1, T2, P1 & P2 = #6 SAE  
P1, P2 & P3 ARE PLUGGED USING #6 SAE  
PLUGS IN SINGLE LIFTER APPLICATIONS



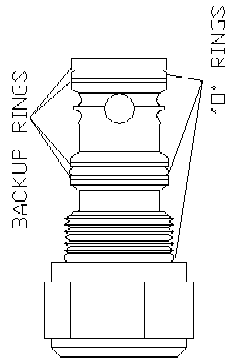
- 6091-0700 COMPLETE DIVERTER VALVE (SINGLE LIFTER)
- 6092-0700 COMPLETE DIVERTER VALVE (DUAL LIFTERS)

CONFIDENTIAL		This drawing is private and confidential communication and the property of BAYNE MACHINE WORKS, INC., Greenville, S.C. It MUST NOT be copied or lent without consent of BAYNE MACHINE WORKS, INC., and must be properly returned with tender and/or completion of order to the purchasing department.		SCALE:	SHEET	OF	REV.
BAYNE MACHINE WORKS, INC.		DRAWN BY: T.J.T.		1=2	1	1	A
3 CORK SHOALS ROAD - GREENVILLE, SD 57605 - 605-288-3377		DATE: 09/24/04		TITLE: SINGLE/DUAL DIVERTER VALVE PARTS		DWG. NO.: M3500005	

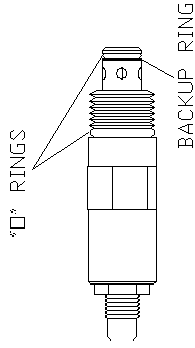
ITEM NO	PART NO.	DESCRIPTION	QTY
1	8000-0781	PRES. SEQUENCE VALVE SEAL KIT	1
2	8000-0782	PRESSURE SENSING VALVE SEAL KIT	1
3	8000-0783	SHUTTLE VALVE SEAL KIT	1
4		RELIEF VALVE SEAL KIT	1
5	8000-0784	FLOW REGULATOR SEAL KIT	1
6		FLOW REG. CAVITY PLUG SEAL KIT	1
7		CHECK VALVE SEAL KIT	1



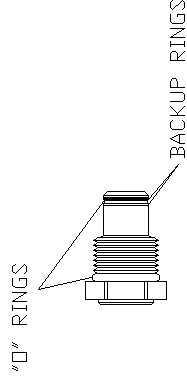
PRESSURE SEQUENCE VALVE SEAL KIT



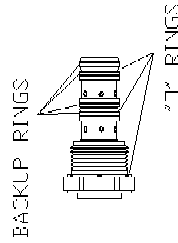
DIFFERENTIAL PRESSURE SENSING VALVE SEAL KIT



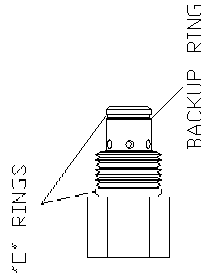
RELIEF VALVE SEAL KIT



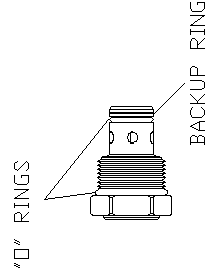
FLOW REGULATOR CAVITY PLUG SEAL KIT



SHUTTLE VALVE SEAL KIT



FLOW REGULATOR SEAL KIT

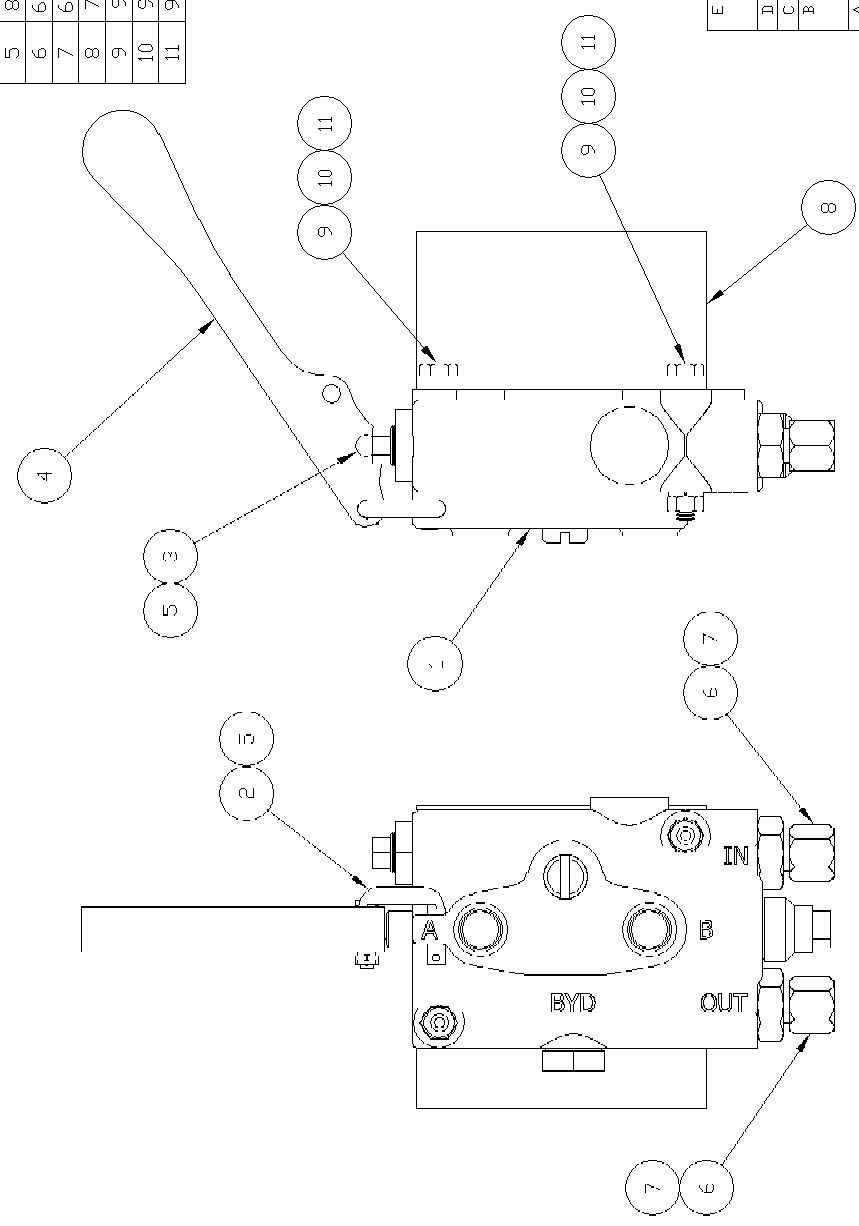


CHECK VALVE SEAL KIT

<b>CONFIDENTIAL</b>	This drawing is private and confidential communication and the property of BAYNE MACHINE WORKS, INC., Greenville, S.C. It MUST NOT be copied or lent without consent of BAYNE MACHINE WORKS, INC. and must be promptly returned to the purchasing department.	SCALE: 2=3	SHEET 1 OF 1	REV. -
<b>BAYNE MACHINE WORKS, INC.</b> 3-0 -DRK SHOLS ROAD - GREENVILLE, SC 29635 - 864-288-3377	DRAWN BY: T.C.T.	DATE: 09/29/04	CHKD BY:	
TOLERANCES IF NOT NOTED: DCC = 0.005 - 0.005 D/C = 1/32 - ANGULAR 0.025	TITLE: DIVERTER VALVE SEAL KIT	DWG. NO.: 8000-0780		

ITEM	PART NO.	DESCRIPTION	QTY
1	6083-1025	HAND VALVE - 1750 PSI RELIEF	1
2	6083-1510	UNIVERSAL C-HOOK	1
3	6083-1511	CLEVIS PIN (ø3/16" x 7/8")	1
4	6083-1520	METRO/EATON H.V. HANDLE	1
5	8810-0303	COTTER PIN (1/16" x 1/2")	2
6	6220-0806	ST ADAPTER (#6 JIC x #6 SAE)	2
7	6248-0006	#6 JIC CAP NUT	2
8	7601-0003	HAND VALVE MOUNTING BRACKET	1
9	9001-0416	1/4-20 x 2" H.H.C.S.	2
10	9401-0400	1/4-20 HEX NUT	2
11	9700-0400	1/4" LOCK WASHER	2

NOTE:  
 1. SEAL REPAIR KIT P/N : 8003-C385  
 2. HANDLE REPLACEMENT KIT P/N : 5083-1501



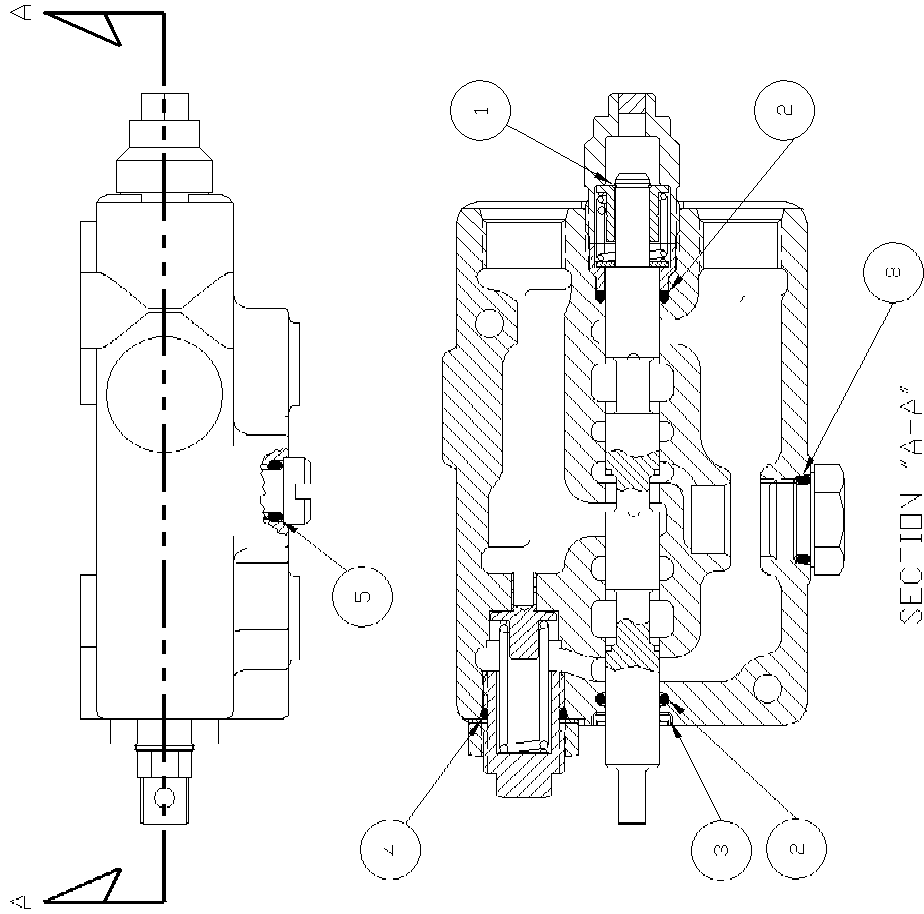
E	6083-1025 WAS 6083-1020 ADDED 6083-1510 & 6083-1511 ADDED 6083-1520 & 8810-0303	05/24/07	CTT		CTT		CI515
D	REVISED 6083-1020 PICTORIALY	07/13/05	TJT	CTT	CTT		CI145
C	REVISED 6083-1020 PICTORIALY	03/30/99	TBR	RTM	RTM		CI167
B	6083-1020 WAS 6083-0420 ADDED 6220-0806 & 6248-0006 UPDATED DRAWING & TITLE BLOCK	05/15/98	CTT	RTM	RTM		CI049
A	REVISED 7601-0003 PICTORIALY	08/27/97	EFJ	RTM	RTM		CO929
LET.	REV. REVISIONS	DATE	REV. CHK.	E.C.R.	BY		NO.

**CONFIDENTIAL** This drawing is private and confidential communication and the property of BAYNE MACHINE WORKS, INC., Greenville, S.C. It MUST NOT be copied or lent without consent of BAYNE MACHINE WORKS, INC. and must be promptly returned with tender and/or completion of order to the purchasing department.

**BAYNE MACHINE WORKS, INC.**  
 3-D -DRK SHOLS ROAD - GREENVILLE, SC 29635 - 664-2881-3377

DRAWN BY: TBR DATE: 06/07/96  
 CHKD BY: BKB DATE: 06/11/96  
 TITLE: VALVE W/BRACKET  
 SCALE: 2=3  
 SHEET 1 OF 1  
 REV. E  
 DWG. NO.: 6083-1010

ITEM NO	DESCRIPTION	QTY
1	RETAINING RING	1
2	3/32" x 1/2" I.D. O-RING	2
3	WIPER SEAL	1
4	3/32" x 41/64" I.D. O-RING	1
5	3/32" x 3/8" I.D. O-RING	1
6	1/16" x 1/2" I.D. O-RING	1
7	1/16" x 1/2" BACK-UP WASHER	1
8	3/32" x 5/8" I.D. O-RING	1
9	5/64" x 15/32" I.D. O-RING	1

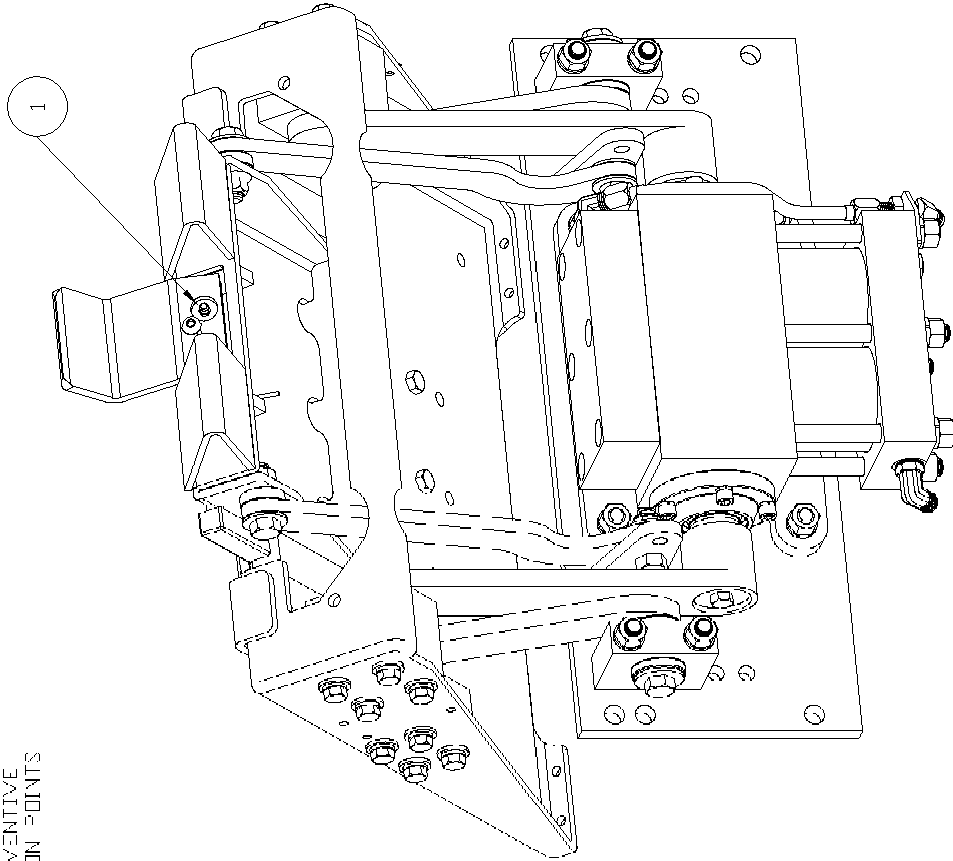


NOTES:  
 1. ASSEMBLY INSTRUCTIONS ARE INCLUDED WITH EACH KIT.  
 2. ITEMS 6,7 AND 9 ARE NOT USED WITH THIS HAND VALVE.

SECTION "A-A"

CONFIDENTIAL		This drawing is private and confidential information and the property of BAYNE MACHINE WORKS, INC., Greenville, S.C. It MUST NOT be copied or lent without consent of BAYNE MACHINE WORKS, INC. and must be promptly returned with tender and/or completion of order to the purchasing department.		SCALE:	SHEET	OF	REV.
BAYNE MACHINE WORKS, INC.		DATE:	07/20/05	1=1	1	1	-
3-D DRK SHOLS ROAD - GREENVILLE, SC 29635 - 664-2881-3377		CHKD BY:	T.S.T.	TITLE:		HAND VALVE SEAL REPAIR KIT	
TOLERANCES IF NOT NOTED: 30°C = 0.305 - 0.000 - 0.005 37°C = 1.331 - ANGULAR ±0.25		DATE:	07/20/05	DWG. NO.:		8000-0085	

TO MAINTAIN WARRANTY AND FOR PREVENTIVE  
 MAINTENANCE, GREASE ALL LUBRICATION POINTS  
 AT LEAST ONCE A WEEK



CONFIDENTIAL		This drawing is private and confidential communication and the property of BAYK-E MACHINE WORKS, INC., Greenville, S.C. It MUST NOT be copied or lent without consent of BAYK-E MACHINE WORKS, INC., and must be promptly returned with tender and/or completion of order to the purchasing department.		SCALE:	SHEET	OF	REV.
BAYK-E MACHINE WORKS, INC. 3-0 -DRK -SHOLS ROAD - GREENVILLE, SC 29635 - 664-2881-3377		DATE:	CHKD BY:	NTS	1	1	-
TO-DRAWN BY: C-T		DATE:	CHKD BY:	TITLE:		DWG. NO.:	
D-DRAWN BY: C-T		11/30/05		LUBRICATION POINTS		LUB4-000E	
TOLERANCES IF NOT NOTED: FRACTIONS = 1/32" - 1/16" - ANGULAR ±0.25°							