



BTL 208 SERIES

Mobile Refuse Cart Lifter

Maximizing Route Safety & Efficiency

Bayne Thinline Premium Lift Systems. Lifting Ergonomics To New Heights.

The BTL 208 series is the newest and most advanced line of cart lifters from Bayne® Thinline® Premium Lift Systems. The patent-pending design of the BTL 208 series incorporates a sweeping action that automatically adjusts for uneven terrain, preventing operators from having to manually hoist carts onto the lift plate. This series was specifically designed for rear-load and side-load applications. Rear-load models offer greater ground clearance, and are thin enough to work in conjunction with commercial container latch kits, allowing one truck to pick up both residential and commercial waste on the same route.

BTL 208 Features:

- Powered by the patented Bayne Thinline rack-and-pinion rotary actuator for smooth operation
- Compatible with standard domestic style two-bar roll-out carts
- Sweeping motion allows for an increased cart pick-up envelope
- Bayne Thinline design works in conjunction with most commercial container latch kits
- Dumps cart higher and deeper inside the hopper opening, preventing spillage, and increasing the number of route stops before needing to cycle the packer panel
- Fewer moving parts for superior reliability
- Powder-coated finish for durability
- 2-Year Limited Warranty



Premium Lift Systems

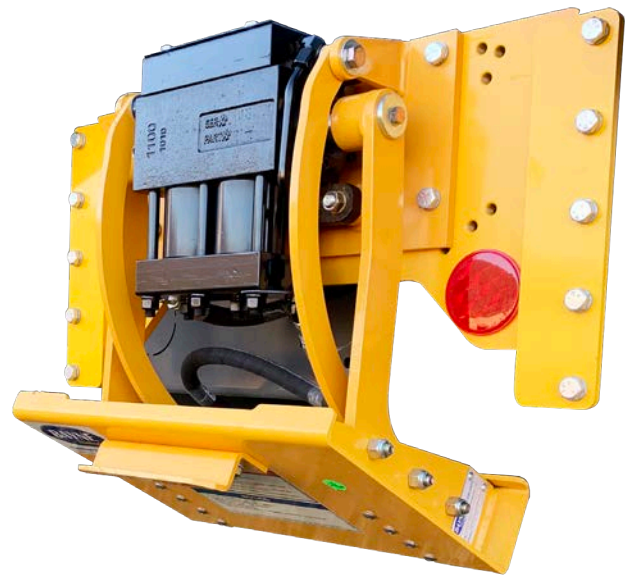
Precision, Quality, and Patented Engineering

For more information: Toll Free: 800-528-5308 | www.baynethinline.com
Bayne Thinline Premium Lift Systems | 4301 Gault Ave. North | Fort Payne, AL 35967

BTL 208 SERIES

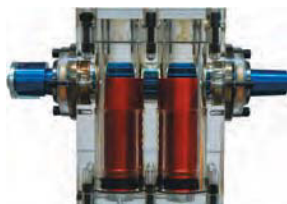
Specifications & Dimensions

PERFORMANCE SPECIFICATIONS	
Cart Compatibility	ANSI Z 245.60-2008 Type B Carts (domestic style 2-bar)
Lift Capacity	400 lbs @ 1800 psi (12" arms) 400 lbs @ 2200 psi (20" arms)
Hydraulic Pressure	Maximum Pressure – 3000 psi
Hydraulic Flow	2.0 – 2.5 gpm
Cycle Time	8 – 10 seconds
Bearings	Self-Lubricating Composite Material
Actuator	Patented Bayne® Thinline® rack-and-pinion rotary actuator
Finish	Safety yellow powder-coating
Options	Tap-in Kit
	Mounting-plate kit for bolt-on application

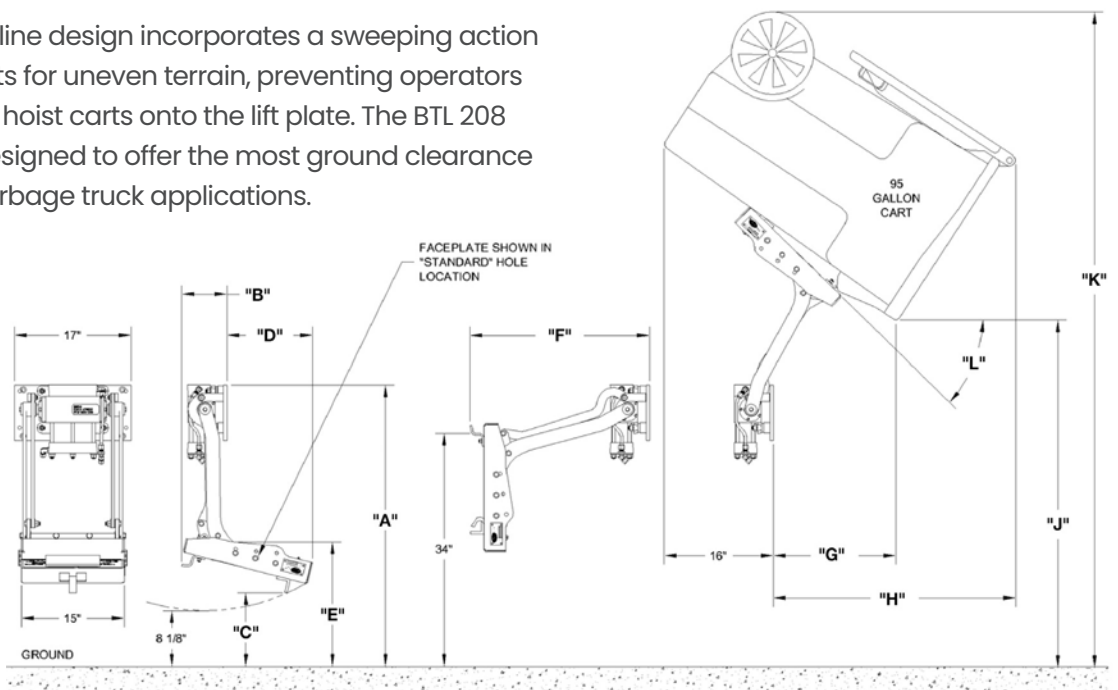


How It Works:

The patented Bayne Thinline design incorporates a sweeping action that automatically adjusts for uneven terrain, preventing operators from having to manually hoist carts onto the lift plate. The BTL 208 series was specifically designed to offer the most ground clearance possible for rear-load garbage truck applications.



Patented Bayne Thinline
Rack-and-Pinion Rotary
Actuator



MODEL NUMBER	"A"	"B"	"C"	"D"	"E"	"F"	"G"	"H"	"J"	"K"	"L"
BTL 208-12 RHK	37 7/8"	6 3/4"	16 7/8"	12 3/8"	24 1/4"	18 1/4"	13 7/8"	31 1/4"	41 1/4"	86 1/8"	44"
BTL 208-20 RHK	41"	6 5/8"	10 3/4"	12 1/2"	18 1/8"	26 1/8"	17 7/8"	35 3/8"	50 5/8"	95 1/2"	44"
BTL 208-36	36"	9"	17 1/8"	7 1/8"	21 1/2"	19"	16 3/8"	31 3/4"	37 3/4"	80 7/8"	41"

Pictures and mechanical diagrams in this literature are illustrative only and may not be to scale. Specifications are subject to change without notice in order to accommodate improvements to the equipment. Data published herein is for information purposes only and shall not be construed to warrant suitability of the unit for any particular purpose, as performance may vary with the conditions encountered. The only warranty is our standard written Warranty Statement for this product at the time of shipment.



Premium Lift Systems

Toll Free: 800-528-5308 | www.baynethinline.com

Bayne Thinline Premium Lift Systems | 4301 Gault Ave. North | Fort Payne, AL 35967

© Copyright 2024 Bayne Thinline All rights reserved

